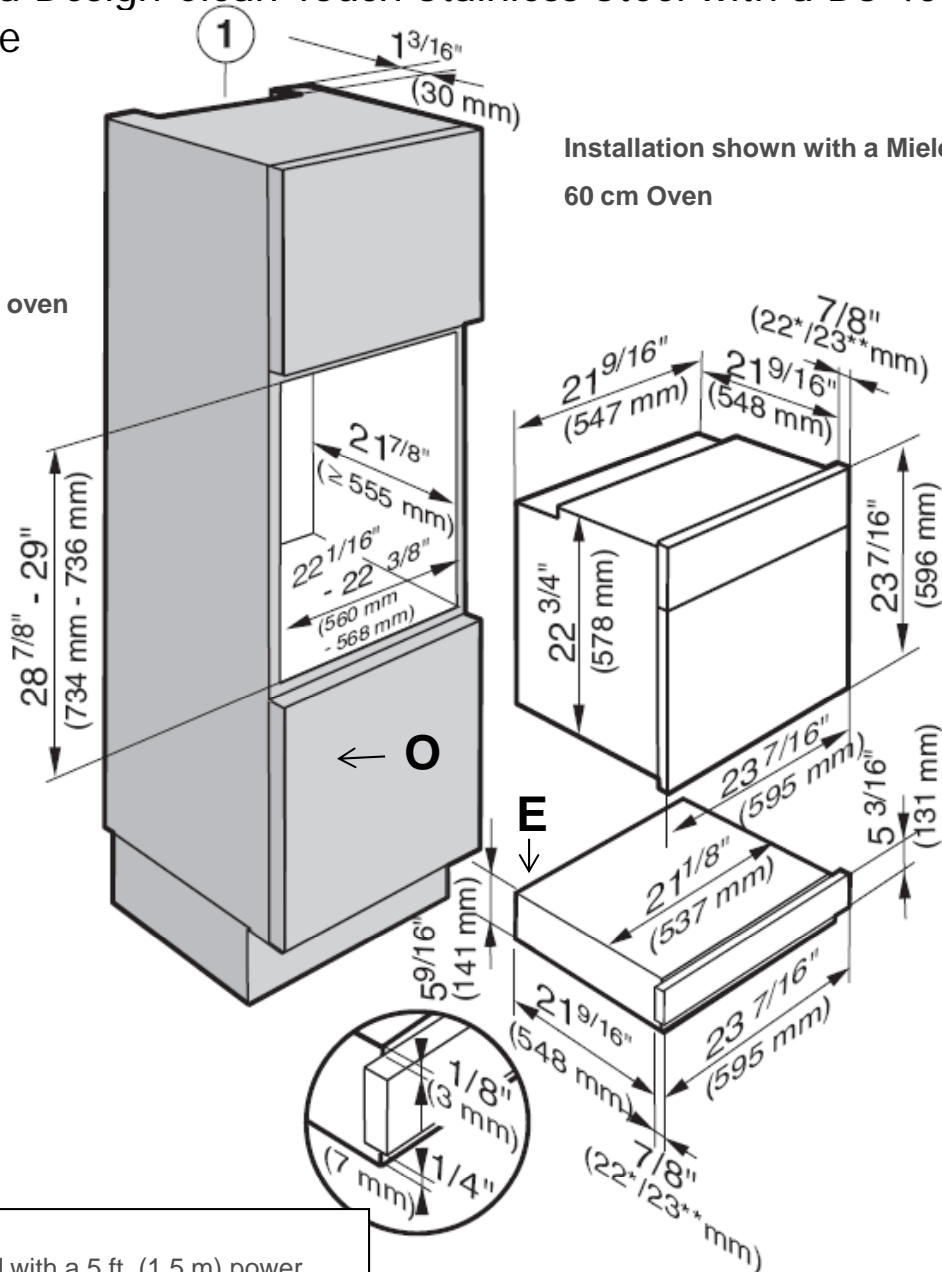


Product and Cut-out Dimensions

Warming Drawer

ESW 4086-14 Europa Design Clean Touch Stainless Steel with a DS 4043 Square Series Handle

1 Cut out for venting the oven



Location Codes

E – The drawer comes equipped with a 5 ft. (1.5 m) power cord with a three-prong grounding plug ready for connection to a 120V, 15 A, 60 Hz power supply.

O – 1" ² minimum hole size for plug. Outlet to be installed in adjacent cabinetry

Notes

Miele appliances can be installed flush or proud. Discuss your installation requirements with your architect, designer and installer.

All installations must be done in accordance with local codes.

* Appliances with glass front

** Appliances with metal front

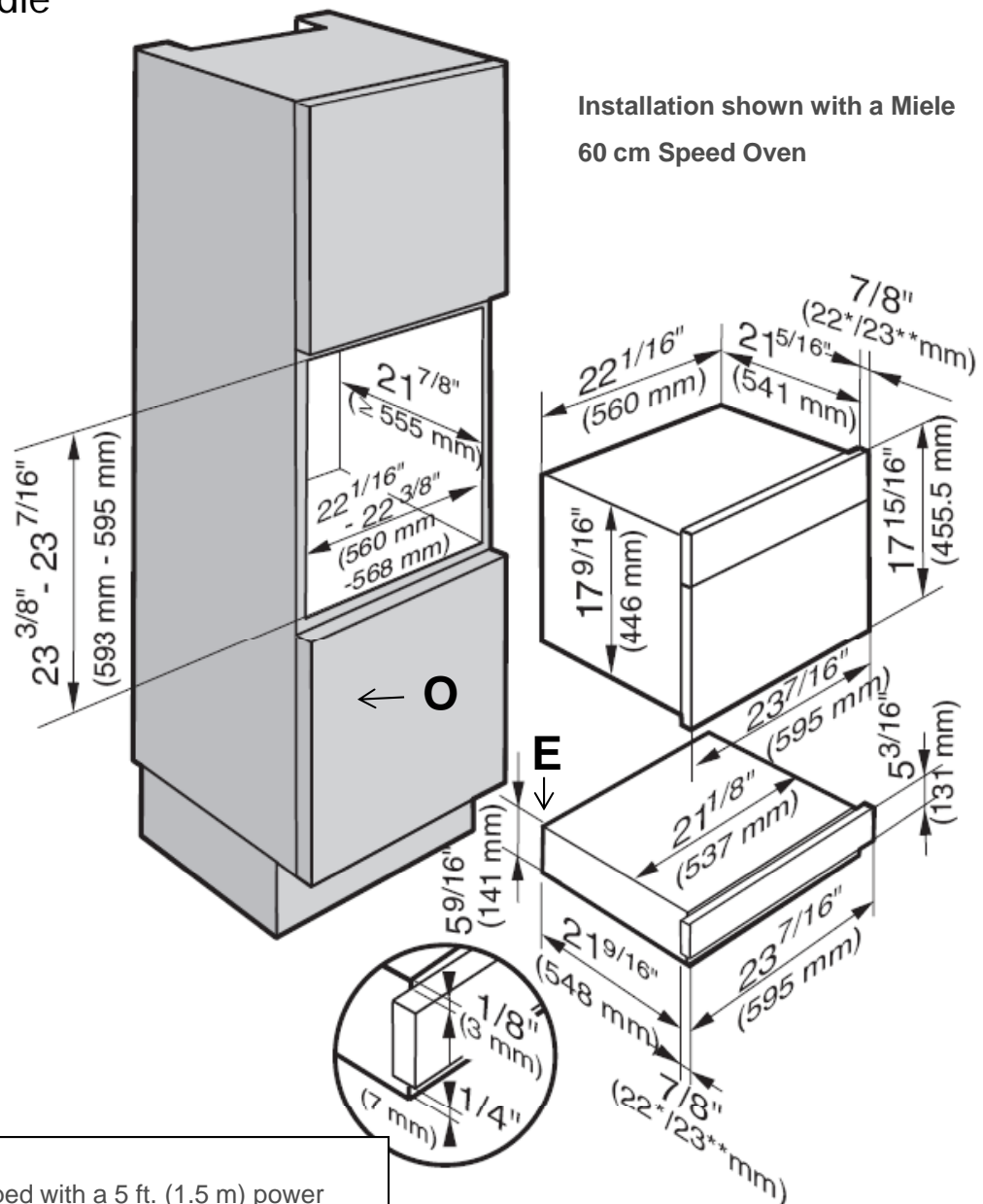
Varied thickness

Note: Drawing is not to scale

Specification Sheets OJS 11142011

Product and Cut-out Dimensions Warming Drawer

ESW 4086-14 Europa Design Clean Touch Stainless Steel with a DS 4043 Square Series Handle



Location Codes

E – The drawer comes equipped with a 5 ft. (1.5 m) power cord with a three-prong grounding plug ready for connection to a 120V, 15 A, 60 Hz power supply.

O – $1''^2$ minimum hole size for plug. Outlet to be installed in adjacent cabinetry

Notes

Miele appliances can be installed flush or proud. Discuss your installation requirements with your architect, designer and installer.

All installations must be done in accordance with local codes.

* Appliances with glass front

** Appliances with metal front

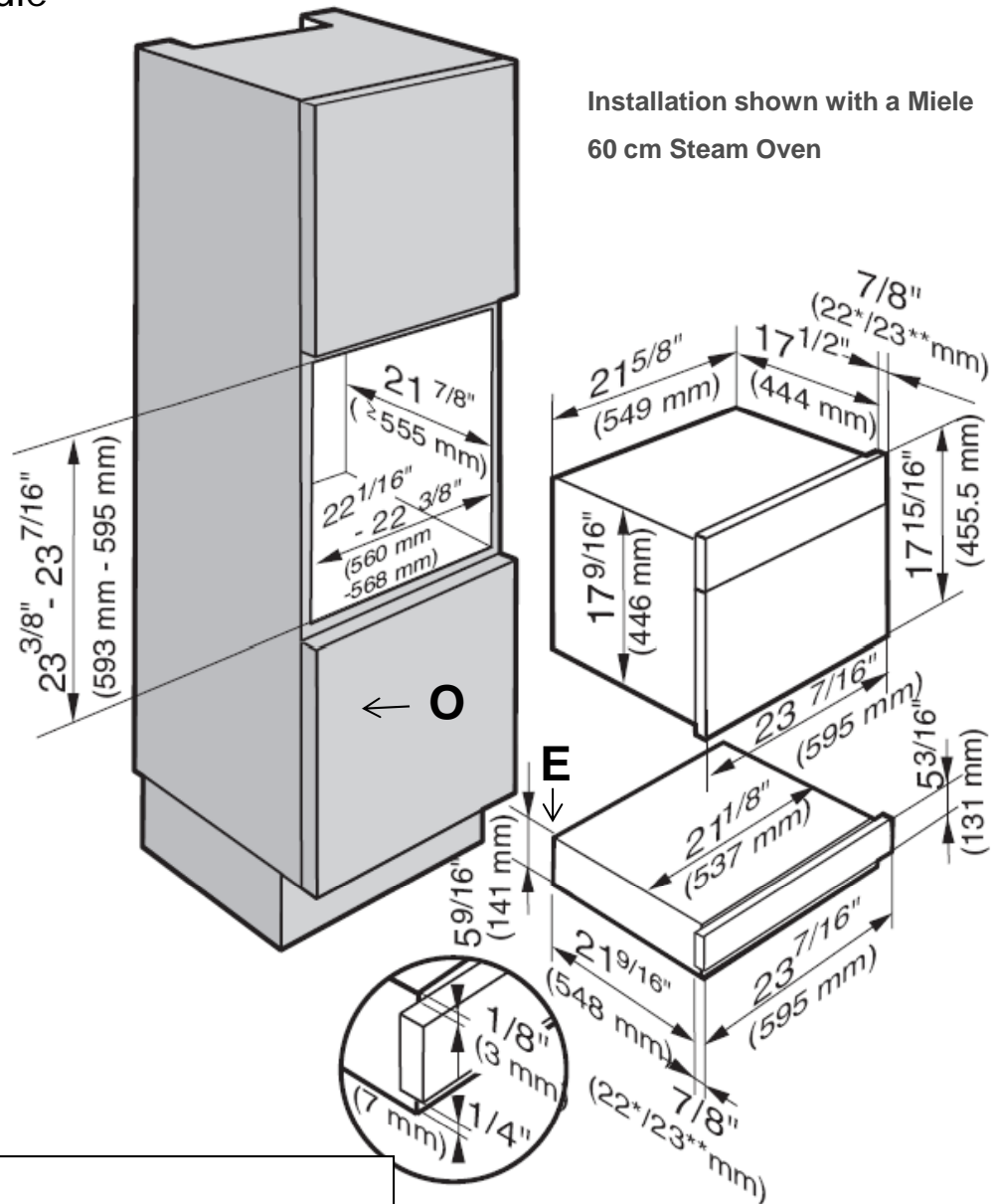
Varied thickness

Note: Drawing is not to scale

Specification Sheets OJS 11142011

Product and Cut-out Dimensions Warming Drawer

ESW 4086-14 Europa Design Clean Touch Stainless Steel with a DS 4043 Square Series Handle



Location Codes

E – The drawer comes equipped with a 5 ft. (1.5 m) power cord with a three-prong grounding plug ready for connection to a 120V, 15 A, 60 Hz power supply.

O – 1" ² minimum hole size for plug. Outlet to be installed in adjacent cabinetry

Notes

Miele appliances can be installed flush or proud. Discuss your installation requirements with your architect, designer and installer.

All installations must be done in accordance with local codes.

* Appliances with glass front

** Appliances with metal front

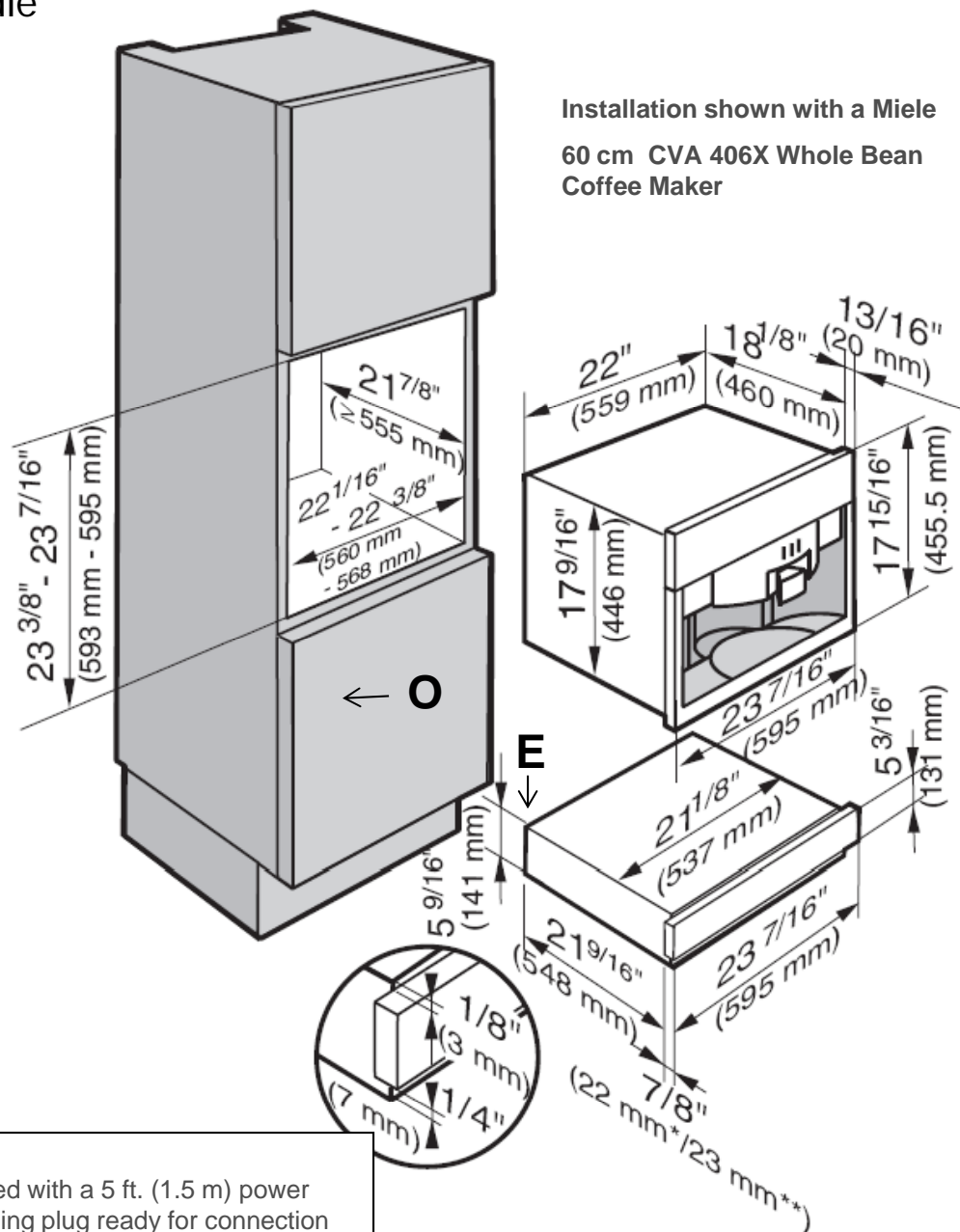
Varied thickness

Note: Drawing is not to scale

Specification Sheets OJS 11142011

Product and Cut-out Dimensions Warming Drawer

ESW 4086-14 Europa Design Clean Touch Stainless Steel with a DS 4043 Square Series Handle



Location Codes

E – The drawer comes equipped with a 5 ft. (1.5 m) power cord with a three-prong grounding plug ready for connection to a 120V, 15 A, 60 Hz power supply.

O – 1" ² minimum hole size for plug. Outlet to be installed in adjacent cabinetry

Notes

Miele appliances can be installed flush or proud. Discuss your installation requirements with your architect, designer and installer.

All installations must be done in accordance with local codes.

* Appliances with glass front

** Appliances with metal front

Varied thickness

Note: Drawing is not to scale

Specification Sheets OJS 11142011