

DCCH480EK/485EK

GE® 4.0 Cu. Ft. Stainless Steel Capacity 24" Ventless Condenser Frontload Electric Dryer

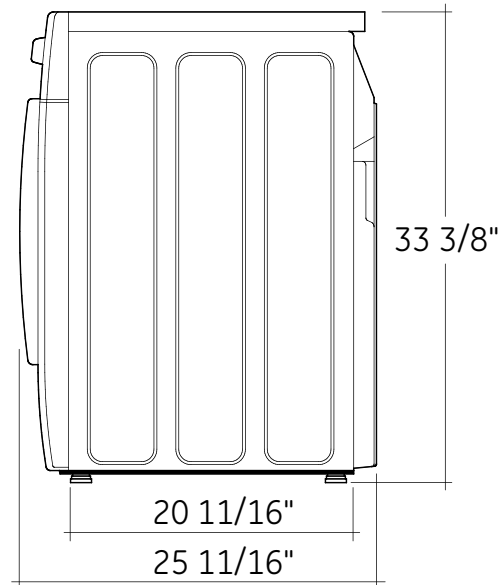
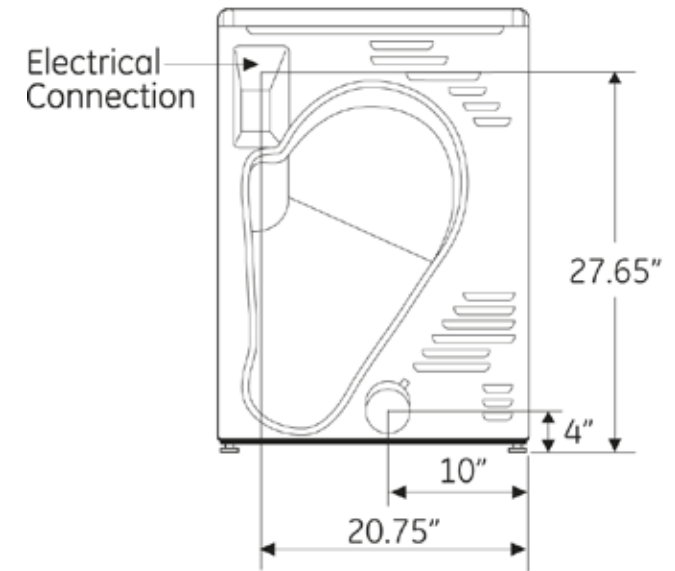
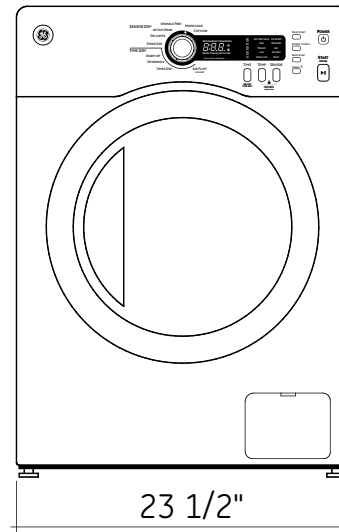
Dimensions and Installation Information (in inches)

Electric Dryer Rating	
240V	3000W, 12.5A, 60Hz

Circuit Requirements: An individual, properly grounded branch circuit, protected by a 30-amp circuit breaker or a time-delay fuse, is required.

Note: Dryer wall outlet must be located within 36" of service cord entry and accessible when dryer is mounted in position.

Installation Information: For complete information, see installation instructions packed with your dryer.



For answers to your Monogram®, GE Profile™ or GE® appliance questions, visit our website at geappliances.com or call GE Answer Center® service, 800.626.2000.



DCCH480EK/485EK

GE® 4.0 Cu. Ft. Stainless Steel Capacity 24" Ventless Condenser Frontload Electric Dryer

Special Installation Requirements:

Alcove or Closet Installation:

- Stacking Kit - GE24STACK (not included)
- If your dryer is approved for installation in an alcove or closet, it will be stated on a label on the dryer back.
- Minimum clearances between dryer cabinet and adjacent walls or other surfaces are: 0" either side, 3" front and rear
- Minimum vertical space from floor to overhead cabinets, ceilings, etc. is 52".
- Closet doors must be louvered or otherwise ventilated and must contain a minimum of 60 sq. in. of open area equally distributed. If this closet contains both a washer and a dryer, doors must contain a minimum of 120 sq. in. of open area equally distributed.
- No other fuel-burning appliance shall be installed in the same closet with a gas dryer.

Bathroom or Bedroom Installation:

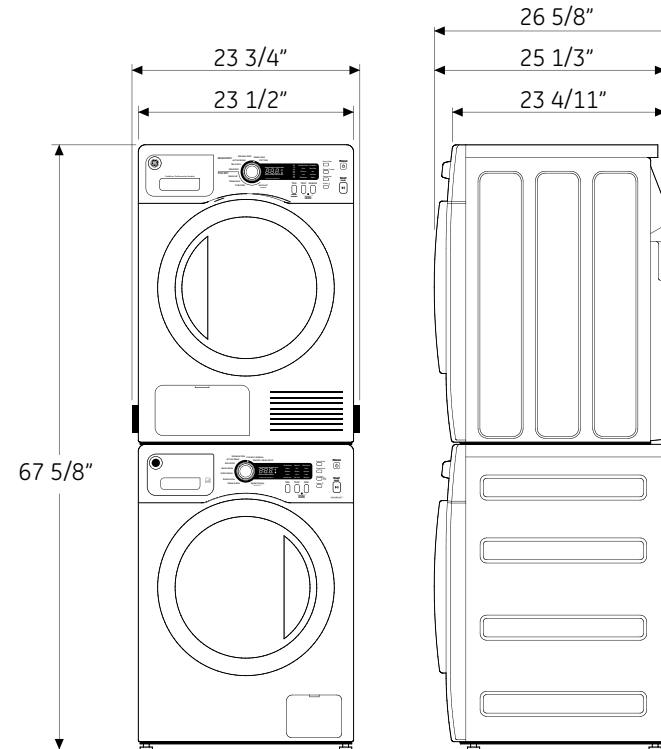
- The installation must conform with the local codes, or in the absence of local codes, with the National Electric Code and National Fuel Gas Code, ANSI Z223 for gas dryers.

Minimum Clearance other than Alcove or Closet Installations:

- Minimum clearances to combustible surfaces 0" both sides, 3" rear.

For more information on venting kits and accessories, please call 1-800-GE-CARES.

Stacked Dimensions (in inches)



For answers to your Monogram®, GE Profile™ or GE® appliance questions, visit our website at geappliances.com or call GE Answer Center® service, 800.626.2000.



DCCH480EK/485EK

GE® 4.0 Cu. Ft. Stainless Steel Capacity 24" Ventless Condenser Frontload Electric Dryer

Draining water out of the dryer

- Two options are available to drain the water out.
 - Pump to a removeable water tank in the dryer.
 - Drain directly out of unit into a standpipe or washstand through the included drain hose.
- The dryer drain hose and wire ties are included.
- You must have a standpipe available to drain into.
- Your standpipe or washstand cannot exceed a height of 35-1/2" above the ground.
- The dryer drain hose can drain alongside the washer hose.
- For complete information, see the installation instructions packed with your dryer.

