

500 Series




SHV55R53UC



BOSCH

Invented for Life



24" Panel Ready Dishwasher	
  	
Alternative colors available	Stainless steel(SHV55R53UC)
Product Features	<p>Key Features</p> <ul style="list-style-type: none">- 48 dBA- No quieter dishwasher in its class- Red Remaining Time Display- 19 h Delay Start Timer- 500 Series Racks- InfoLight® Beams on the Floor to Indicate Dishwasher is Running <p>Design</p> <ul style="list-style-type: none">- Stainless Steel TallTub- Real Stainless Steel Fascia Panel- Red Remaining Time Display <p>Performance</p> <ul style="list-style-type: none">- 48 dBA- No quieter dishwasher in its class- InfoLight® Beams on the Floor to Indicate Dishwasher is Running- 4 Wash Cycles and 2 Options- Sanitize Option eliminates bacteria and enhances drying results <p>Efficiency</p> <ul style="list-style-type: none">- Saves up to 280 gallons of water each year- 259 kwh/yr - Energy Star®- Exceeds ENERGY STAR Requirements for Water by 69%- EcoSense™ Reduces Energy Usage by up to 20%- Half Load Cycle for small loads <p>Convenience</p> <ul style="list-style-type: none">- AquaStop® Leak Protection- Multi-Function LED with Remaining Time- 19 h Delay Start Timer <p>Capacity</p> <ul style="list-style-type: none">- 14 Place Setting Capacity- 500 Series Racks- RackMatic® Automatically Adjustable Upper Rack- Duo-Flex Silverware Basket- Extra Tall Item Sprinkler Cleans Items 22" Tall

Technical Data



24" Panel Ready Dishwasher

Product Features

Construction type : Built-in
 Removable top : No
 Panel ready : No, only as accessory
 Height with worktop (mm) : 860
 Height of the product (mm) : 860
 Adjustable feet : Yes
 Maximum adjustability feet (mm) : 30
 Net weight (kg) : 42.00
 Gross weight (kg) : 46.00
 Watts (W) : 1400
 Current (A) : 12
 Volts (V) : 120
 Frequency (Hz) : 60
 Power cord length (cm) : 0.0
 Plug type : Fixed connection
 Length outlet hose (cm) : 178
 Concealed heating element : Yes
 Leak Protection System : Aqua Stop
 ChildLock : No
 Water softener : No
 Upper Rack : 500
 Adjustable upper rack : Rackmatic
 Upper rack cup shelf : 2
 Lower Rack : 500
 3rd Rack : no
 Silverware basket : Standard
 Optional accessories : SGZ1000UC, SGZ1010UC, SGZ1051, SGZ2004UC, SGZ3003, SGZPC001UC
 Accessories Parts : baking-sheet spray head, Small upper cutlery rack
 Number of place settings : 14
 Color / Control Panel : Stainless steel, metallic
 Overall appliance dimensions (HxWxD) (mm) : 860 x 598 x 550
 Product packaging dimensions (HxWxD) (mm) : 920 x 670 x 660

Consumption and connection features

Brand : Bosch
 SKU : SHV55R53UC
 Number of place settings : 14
 Reference programme : Regular US
 Total cycle time of reference programme (min) : 115
 Installation Type : Full-integrated
 UPC code : 825225800569
 Panel ready : Yes
 Silence level (dBA) : 48
 Watts (W) : 1400
 Current (A) : 12
 Volts (V) : 120
 Frequency (Hz) : 60
 Energy Consumption (kWh/yr) : 259
 Energy Star® qualified : Yes
 NSF certified : Yes
 Plug type : Fixed connection
 Length outlet hose (in) : 70 "
 Required cutout size (HxWxD) (in) : 33 7/8 " x 24 " x 24 "
 Product packaging dimensions (HxWxD) (in) : 35 7/8 " x 26 7/8 " x 26 "
 Net weight (lbs) : 92
 Gross weight (lbs) : 102

Optional accessories

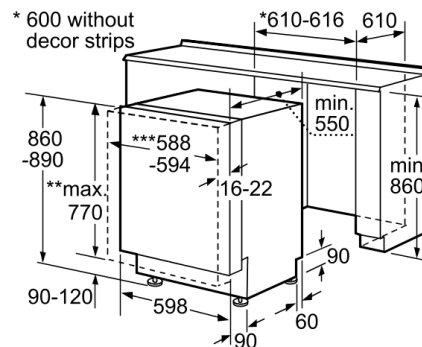
SGZ1051 Vase, bottle holder
 SGZ3003 Silver polishing cassette
 SGZ1000UC extra large knife rack
 SGZ2004UC glass rack insert for bottom rack
 SGZ1010UC Drain hose extension kit
 SGZPC001UC Powercord kit

Included accessories

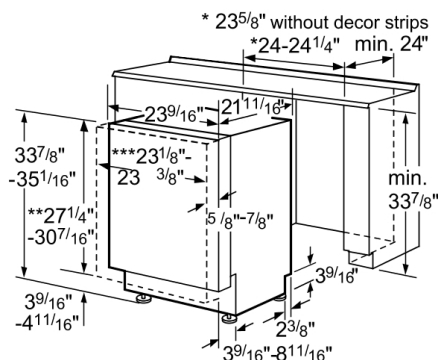
baking-sheet spray head
 Small upper cutlery rack

EAN code

4242002670119



** measured from the bottom edge of the countertop panel thickness recommended 20 mm panel weight 9-18 lb
 *** 610 wide panel may be used depending on cabinet design measurements in mm



** measured from the bottom edge of the countertop panel thickness recommended 3/4" panel weight 9-18 lb
 *** 24" wide panel may be used depending on cabinet design measurements in inches