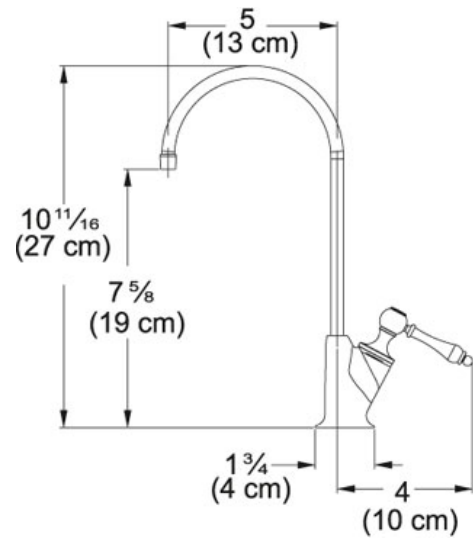


SPECIFICATION SHEET

PRODUCT FAMILY: POINT OF USE AND FILTRATION FINISH: POLISHED CHROME SERIES: COLD WATER ONLY MODEL:
DW500



Product Information

Article Number	120.0175.302
US Part Number	DW500
Version	Cold Water Dispenser