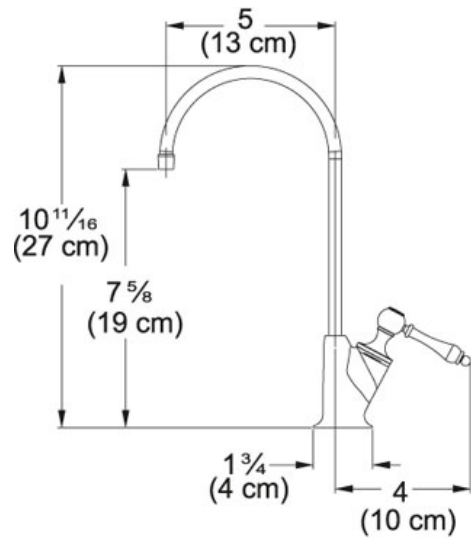


SPECIFICATION SHEET

PRODUCT FAMILY: POINT OF USE AND FILTRATION FINISH: POLISHED NICKEL SERIES: COLD WATER ONLY MODEL: DW570



Product Information

Article Number	120.0175.304
US Part Number	DW570
Version	Cold Water Dispenser