

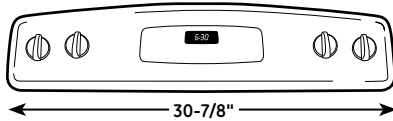
JGB600SET

GE® 30" Free-Standing Gas Range

Dimensions and Installation Information (in inches)

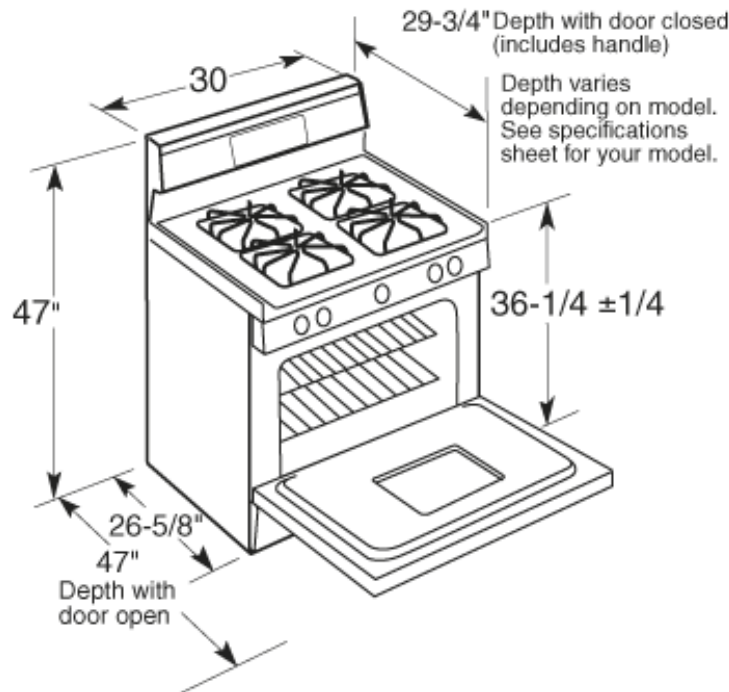
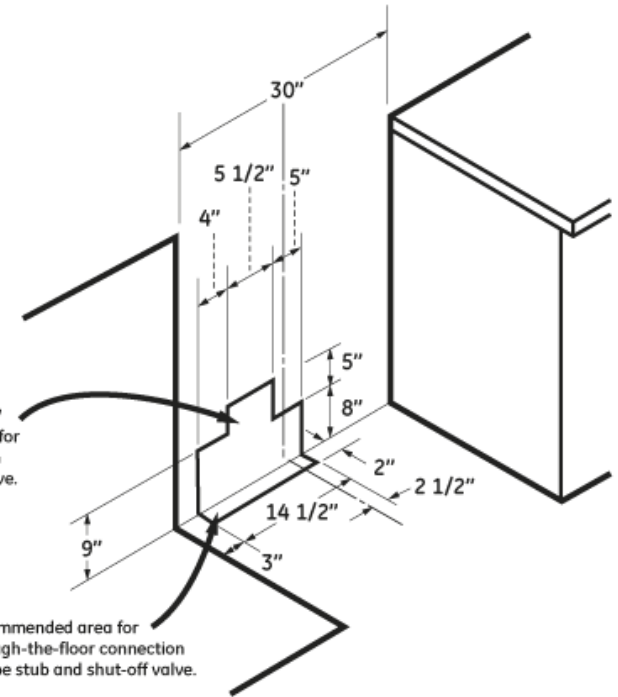
Electrical Rating: 120V, 60Hz, 9A

Installation Information: Before installing, consult installation instructions packed with product for current dimensional data.



All 30" GE gas and electric range backguards are 30-7/8" wide.*

*Except these models: JGBS07, JGBS04, all GE Profile free-standing electric and gas ranges
Fits most countertop backsplash applications.
Consult Use & Care Manual for detailed installation instructions.



For answers to your Monogram®, GE Profile™ or GE® appliance questions, visit our website at geappliances.com or call GE Answer Center® service, 800.626.2000.



All GE ranges are equipped with an Anti-Tip device. The installation of this device is an important, required step in the installation of the range.

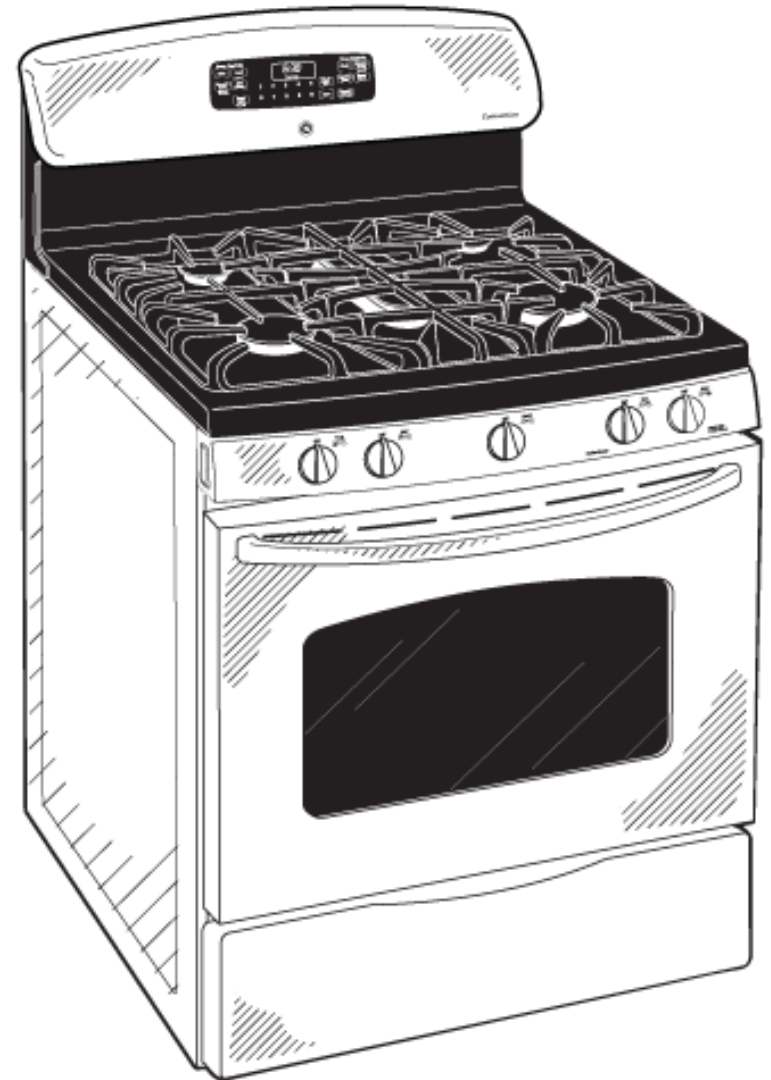


JGB600SET

GE® 30" Free-Standing Gas Range

Features and Benefits

- Self-clean oven - Conveniently cleans the oven cavity without the need for scrubbing
- 5.0 cu. ft. oven capacity - Enough room to cook an entire meal at once
- Gas convection oven - Circulates air throughout the oven cavity ensuring better baking and roasting results
- 17,000 BTU PowerBoil™ burner - Delivers intense heat for rapid boiling
- Center oval burner - Oval fifth burner in the center of the cooktop is large to accommodate odd-sized cookware or griddles
- Model JGB600SETSS - Stainless steel



imagination at work