

# V200A product information sheet

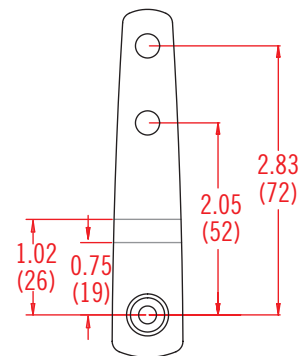
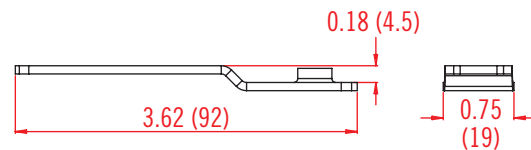


OmniMount, an innovator of A/V mounts and furniture for more than a quarter century, is the choice of professional installers and the brand most recommended by flat panel manufacturers. Recognizing that flat panels have many different mounting hole patterns, OmniMount offers a full range of flat panel wall mount accessories including adapters and extension rails. The V200A attaches to a VESA 100x100 mount head to extend VESA compliance to 100x200, 200x200 or 200x100.



## Product Specifications/Benefits

- Includes four adapter strips
- Adapter strips attach to VESA 100x100 mount head
- Extends VESA compliance to 100x200, 200x200 or 200x100
- Available in Black



inches (mm)

	Color	Stock Code	Packaging UPC	MC UPC		Dimensions WxDxH inches (mm)	Wt lbs (kg)
Americas	Black	1004848-1	728901026416	728901719868	Product Box	1.4 x 4.5 x 1.4 (35x115x35)	0.7 (0.3)
International	Black	1004848INT-1	728901026416	728901719868	Master Carton	3.5 x 4.7 x 3.2 (90x120x80)	7.1 (3.2)

Box Contents	Qty
Adapter strip	4
Complete hardware kit	1
Instruction manual	1