

RFG293HA



Refrigerator user manual

English

imagine the possibilities

Thank you for purchasing this Samsung product.
To receive more complete service,
please register your product at
www.samsung.com/register



Features of your new Refrigerator

KEY FEATURES OF YOUR NEW REFRIGERATOR

Your Samsung French Door Refrigerator comes equipped with various innovative storage and energy-efficient features.

- **Twin Cooling System**

The fridge and freezer have separate evaporators. Due to this independent cooling system, the fridge and freezer cool more efficiently. Additionally, this separate air flow system prevents food odor in one compartment from seeping into the other compartment.

- **Cool Select Pantry^{PLUS}**

The Cool Select pantry^{PLUS} is a full-width drawer with adjustable temperature control.

- **Bigger & Wider Space**

The wide shelf area and pantry provide enough space for larger items like a pizza box, etc. The wide freezer drawer also provides enough space for 2~3 turkeys.

- **Secure Auto Close**

The Secure Auto Close feature automatically closes a door that is slightly open.

- **Compact Ice Maker**

The ice maker can dispense cubed ice.

- **Digital Display and Temperature Control**

- **Slim Water Filtration System**

A slim water filter is placed between the crispers so you can change the filter conveniently without removing items from refrigerator.

- **Door Alarm**

A helpful beeper alerts you if a door is ajar.

- **Tilting Pocket**

The Tilting pocket can be used to store up to a 16" pizza.

- **Auto Pull Out Drawer**

The upper drawer in the freezer comes out automatically as you open the freezer door.

- **Super Extended Drawer**

A large slide-out drawer for easy freezer organization.

- **EZ-Open Handle System**

Lets you open the freezer door with less effort.

- **Energy Star**

This Energy star labeled product may save you money on your energy costs.



For easy future reference, write the model and serial number down. You will find your model number and serial number on the left side of the refrigerator.

Model # _____

Serial # _____

Safety Information











SAFETY INFORMATION

Before using your new Samsung French Door Refrigerator, please read this manual thoroughly to ensure that you know how to operate the features and functions that your new appliance offers safely and efficiently.

This appliance is not intended for use by persons (including children) with reduced physical, sensory, or mental capabilities, or those who lack experience and knowledge, unless they have been given supervision or instruction concerning the use of the appliance by a person responsible for their safety.

Because the following instructions cover various models, the characteristics of your refrigerator may differ slightly from the refrigerator described in this manual. If you have any question, contact us at 1-800-SAMSUNG or find help and information online at www.samsung.com.

Important safety symbols and precautions:


 WARNING	Hazards or unsafe practices that may result in severe personal injury or death.
 CAUTION	Hazards or unsafe practices that may result in minor personal injury or property damage.
	Do NOT attempt.
	Do NOT disassemble.
	Do NOT touch.
	Follow directions carefully.
	Unplug the power plug from the wall socket.
	Make sure the refrigerator is grounded to prevent electric shock.
	Call the contact center for help.
	Note.

These warning signs are here to prevent injury to you and others.

Please follow them carefully.

After reading this section, keep it in a safe place for future reference.



SEVERE WARNING SIGNS FOR INSTALLATION

-  • Do not install the refrigerator in a damp place or place where it may come in contact with water.
 - Deteriorated insulation of electrical parts may cause an electric shock or fire.
- Do not place this refrigerator in direct sunlight or expose to the heat from stoves, room heaters or other appliance.
- Do not plug several appliances into the same multiple power strip. The refrigerator should always be plugged into its own individual electrical outlet which has a voltage rating that matches the voltage listed on the refrigerator's rating plate.
 - This provides the best performance and also prevents overloading house wiring circuits, which could cause a fire hazard from overheated wires.

Safety Information

- If the wall socket is loose, do not insert the power plug.
 - There is a risk of electric shock or fire.
- Do not use a cord that shows cracks or abrasion damage along its length or at either end.
- Do not bend the power cord excessively or place heavy articles on it.
- Never unplug your refrigerator by pulling on the power cord. Always grip plug firmly and pull straight out from the outlet.
 - Damage to the cord may cause a short-circuit, fire and/or electric shock.
- Do not use aerosols near the refrigerator.
 - Aerosols used near the refrigerator may cause an explosion or fire.



-
- ★ • This refrigerator must be properly installed and located in accordance with the manual before it is used.
 - Connect the power plug in proper position with the cord hanging down.
 - If you connect the power plug upside down, the wire can get cut off and cause a fire or electric shock.
 - When moving the refrigerator, be careful not to roll over or damage the power cord.
 - This constitutes a fire hazard.
 - Make sure that the power plug is not squashed or damaged by the back of the refrigerator.
 - Keep the packing materials out of reach of children.
 - There is a risk of death from suffocation if a child puts the packing materials on his or her head.
 - The appliance must be positioned so that the plug is accessible after installation.
 - You need to remove all the protective plastic film before you initially plug the product in.

-
-  • The refrigerator must be safely grounded
 - Always make sure that you have grounded the refrigerator before attempting to investigate or repair any part of the appliance. Power leakages can cause severe electric shock.
 - Never use gas pipes, telephone lines or other potential lightning attractors as an electrical ground.
 - Improper use of the grounding plug can result in a risk of electric shock.
 - If it is necessary to use an extension cord, use only a 3-wire extension cord that has a 3-blade grounding plug and a 3-slot receptacle that will accept the plug on the appliance. The marked rating of the extension cord should be AC115-120 V, 10 A, or more. If a grounding adapter is used, make sure the receptacle box is fully grounded.
 -  • If the power cord is damaged, have it replaced immediately by the manufacturer or its service agent.

CAUTION SIGNS FOR INSTALLATION


- ★ • Allow sufficient space to install the refrigerator on a flat surface.
 - If your refrigerator is not level, the internal cooling system may not work correctly.
- Keep the ventilation in the appliance enclosure or mounting structure clear of obstruction.
- Allow the appliance to stand for 2 hours after installation.


SEVERE WARNING SIGNS FOR USING


-  • Do not insert the power plug with wet hands.
-  • Do not store articles on the top of the appliance.
 - When you open or close the door, the articles may fall and cause personal injury and/or material damage.
- Do not put a container filled with water on the refrigerator.
 - If spilled, there is a risk of fire or electric shock.
- Children should be supervised to ensure that they do not play with the appliance.
- Do not let children hang on the door. A serious injury may occur.
- Do not let children enter inside of the refrigerator. There is a risk of children entrapment.




SEVERE WARNING SIGNS FOR USING

-  • Do not insert your hands into the bottom area under the appliance.
 - Any sharp edges may cause personal injury.
 - Do not let children step on a drawer's cover.
 - The drawer may break and cause them to slip.
 - Do not overfill the refrigerator with food.
 - When you open the door, an item may fall out and cause personal injury or material damage.
 - Do not touch the inside walls of the freezer or products stored in the freezer with wet hands.
 - This may cause frostbite.
 - Never put fingers or other objects into the water dispenser hole, ice chute, or ice maker bucket.
 - It may cause personal injury or material damage.
 - Do not spray flammable gas near the refrigerator.
 - There is a risk of explosion or fire.
 - Do not store volatile or flammable substances in the refrigerator.
 - The storage of benzene, thinner, alcohol, ether, LP gas and other such products may cause explosions.
 - Do not store pharmaceuticals products, scientific materials, or temperature sensitive products in the refrigerator.
 - Products that require strict temperature controls must not be stored in the refrigerator.
 - Do not place or use an electrical appliance inside the refrigerator, unless it is of a type recommended by the manufacturer.
 - Do not use mechanical devices or any other means to accelerate the defrosting process, other than those recommended by the manufacturer.
 - Do not damage the refrigerant circuit.
-


-  • Do not disassemble or repair the refrigerator by yourself.
 - You run risk of causing a fire, malfunction and/or personal injury.
 - When the interior or exterior LED lamp has gone out, please contact your service agents.
-

-  • Children should be supervised to ensure that they do not play with the appliance.
 - Bottles should be stored tightly together so that they do not fall out.
 - This product is intended only for the storage of food in a domestic environment.
 - If a gas leak is detected, avoid any naked flames or potential sources of ignition and air the room in which the appliance is standing for several minutes.
 - Use only the LED Lamps provided by manufacturer or service agents
-


-  • If there are burning smells or smoke, pull out power plug immediately and contact your Samsung Electronics service center.
- If you experience difficulty when changing the light, contact a service agent.
- If the product is equipped with LED Lamps, do not disassemble the Lamp Cover and LED Lamp by yourself.
 - Please contact your service agents.
- If any dust or water is in refrigerator, pull out the power plug and contact your Samsung Electronics service center.
 - Otherwise there is a risk of fire





CAUTION SIGNS FOR USING

-  • Do not re-freeze frozen foods that have thawed completely.
Do not place carbonated or fizzy drinks in the freezer compartment. Do not put bottles or glass containers in the freezer.
 - When the contents freeze, the glass may break and cause personal injury.

Safety Information

- ★ • **Service warranty and Modification.**
 - Any changes or modifications performed by a 3rd party on this finished appliance are not covered under Samsung warranty service, nor can Samsung be responsible for safety issues that result from 3rd party modifications.
 - **Do not block air holes.**
 - If the air holes are blocked, especially with a plastic bag, the refrigerator can be over cooled. If this cooling period lasts too long, the water filter may break and cause water leakage.
 - **If the refrigerator is disconnected from the power supply, you should wait for at least five minutes before plugging it back.**
 - **If you have a long vacation planned or the refrigerator is not to be used for a long period of time, you must empty the refrigerator and pull out the power plug.**
 - Letting the refrigerator run for a long time without using it can cause the insulation to deteriorate and may cause a fire.
 - Wipe excess moisture from the inside and leave the doors open.
 - Otherwise, odor and mold may develop.
 - **To get the best performance from the product:**
 - Do not place foods too close to the vents at the rear of the appliance as it can obstruct free air circulation in the refrigerator compartment.
 - Wrap food up properly or place it in airtight containers before putting it into the refrigerator.
 - **Fill the water tank, ice tray, and water cubes only with potable water.**
-
-  • **If the product is flooded, make sure to contact your nearest service center.**
 - There is a risk of electric shock or fire.

CAUTION SIGNS FOR CLEANING

-  • **Do not directly spray water on the inside or outside the refrigerator.**
 - There is a risk of fire or electric shock.
- ★ • **Remove any foreign matter or dust from the power plug pins. Do not use a wet or damp cloth when cleaning the plug.**
 - Otherwise, there is a risk of fire or electric shock.
-  • **Unplug the refrigerator before cleaning or making repairs.**

SEVERE WARNING SIGNS FOR DISPOSAL

- ★ • **Risk of child entrapment. Before you throw away your old refrigerator or freezer :**
 - Take off the doors.
 - Leave the shelves in place so that children can not easily climb inside.
- **Please dispose of the packaging material from this product in an environmentally friendly manner.**
- **Leave the shelves in place so that children can not easily climb inside. Ensure that none of the pipes on the back of the appliance are damaged prior to disposal.**
- **When disposing of this refrigerator, remove the door/door seals and door latch so that small children or animals cannot become trapped inside.**
Children should be supervised to ensure that they do not play with the appliance.
- **Cyclopentane is used as in the insulation. The gases in the insulation material require a special disposal procedure. Please contact your local authorities in regard to the environmentally safe disposal of this product. Ensure that none of the pipes on the back of the refrigerator are damaged prior to disposal.**

Contents

SETTING UP YOUR FRENCH DOOR REFRIGERATOR

08

- 08 Getting ready to install the refrigerator
- 09 Accessories and required tools
- 09 Removing the refrigerator doors
- 11 Disassemble the freezer drawer
- 12 Reattaching the refrigerator doors
- 14 Assemble the freezer drawer
- 15 Adjusting the level
- 16 Making minor adjustments between doors
- 17 Adjusting the freezer drawer level
- 18 Installing a water line kit
- 19 Connecting the water supply line to the refrigerator
- 20 Completing the set up

OPERATING YOUR FRENCH DOOR REFRIGERATOR

21

- 21 Using the control panel & display
- 26 Parts and features
- 27 Storing food in the fridge
- 27 Storing food in the freezer drawer
- 28 Using the Cool Select Pantry ^{PLUS}
- 29 Removing the refrigerator accessories
- 30 Using the doors
- 30 Using the tilting pocket
- 31 Removing the freezer accessories
- 32 Food storage tips
- 34 Cleaning the refrigerator

TROUBLESHOOTING

35

- 35 Troubleshooting

WARRANTY

36

Setting up your French Door Refrigerator

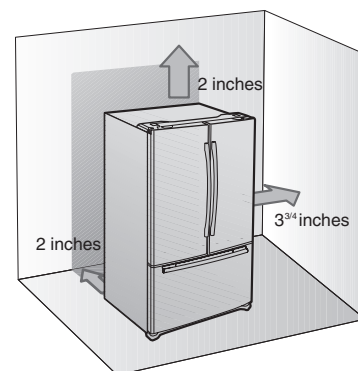
GETTING READY TO INSTALL THE REFRIGERATOR

Congratulations on your purchase of the Samsung French Door Refrigerator.

We hope you enjoy the state-of-art features and efficiencies that this new appliance offers.

Selecting the best location for the refrigerator

- A location with easy access to the water supply.
- A location without direct exposure to sunlight.
- A location with a leveled floor.
- A location with enough space for the refrigerator doors to open easily.
- Allow sufficient space to the right, left, back and top for air circulation. If the Refrigerator does not have enough space, the internal cooling system may not work properly.
- Please ensure that appliance can be moved freely in the event of maintenance & service.



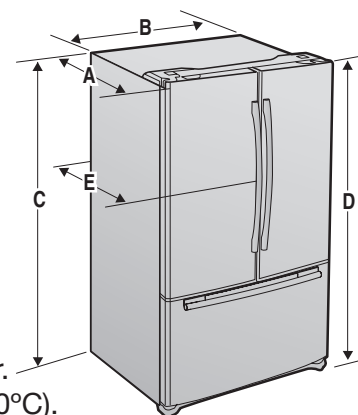
If your refrigerator has an ice maker, allow extra space at the back for the water line connections.

When you install the refrigerator next to a fixed wall, you need a minimum clearance is 3 3/4" (95mm) between the refrigerator and wall to allow the door to swing open.

First thing! Make sure that you can easily move your refrigerator to its final location by measuring doorways (both width and height), thresholds, ceilings, stairways, etc.

The following chart details the exact height and depth of this Samsung French Door Refrigerator.

Model	Depth "A"	Width "B"	Height "C"	Overall Height "D"	Depth "E"
RFG293HA	32.91" (836mm)	35.75" (908mm)	68.66" (1744mm)	69.84" (1774mm)	35.63" (905mm)

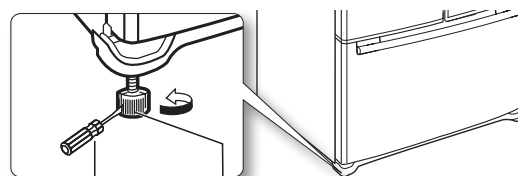


- Allow clearance to the right, left, back and top when installing. This will help reduce power consumption and keep your energy bills lower.
- Do not install the refrigerator where the temperature will go below 50°F (10°C).
- Do not locate the refrigerator where it may become wet.



When moving your refrigerator

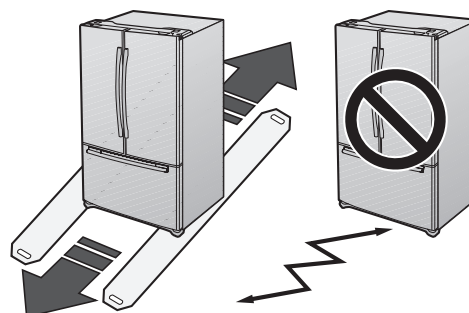
To prevent floor damage, be sure the front adjusting legs are in the up position (above the floor). Refer to "Adjusting the level" in the manual (on page15).



Flat-blade screw driver(-) Control Lever

FLOORING

For proper installation, this refrigerator must be placed on a leveled surface of hard material that is the same height as the rest of the flooring. This surface should be strong enough to support a fully loaded refrigerator, or approximately 328lbs (150kg). To protect the finish of the flooring, cut a large section of the cardboard carton and place it under the refrigerator where you are working. When moving a refrigerator, you need to pull and push it straight forwards or back. Do not wiggle it from side to side.



ACCESSORIES AND REQUIRED TOOLS

Make sure the following accessories are included with your refrigerator :



Hex wrench



Fastener



Compression fitting



Compression nut

Required Tools (Not provided)

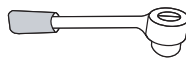
You need the following tools to complete the installation of your refrigerator:



Phillips screwdriver(+)



Flat-blade screwdriver(-)



Socket wrench (10mm)



Pliers





Allen wrench(3/16\" data-bbox="715 391 843 417"/>

REMOVING THE REFRIGERATOR DOORS


Some installations require door removal to transport the refrigerator to its final location.

Do not remove the door/drawer if you don't need to. If you do not need to remove the refrigerator doors, go to adjusting the level. If you need to remove the doors, continue below. Before removing the door/drawer make sure you read following items:

 **WARNING** Disconnect power to the refrigerator before removing the door or drawer.

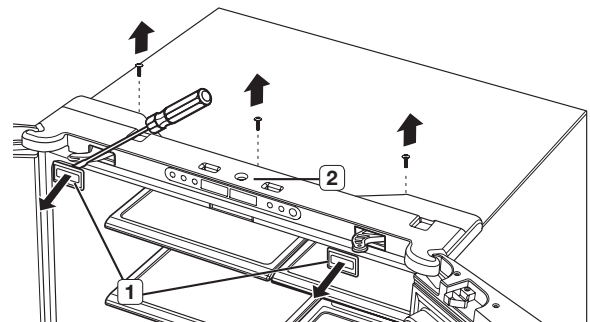
-  • Be careful not to drop, damage or scratch the door/drawer while removing them.
- Be careful not to get injured while removing the door/drawer.
- Reattach the door/drawer properly to avoid:
 - Moisture from air leakage.
 - Uneven door alignment.
 - Wasting energy due to improper door seal.

Disassemble the refrigerator doors

 **WARNING** Be careful not to drop and scratch the doors while removing the doors.

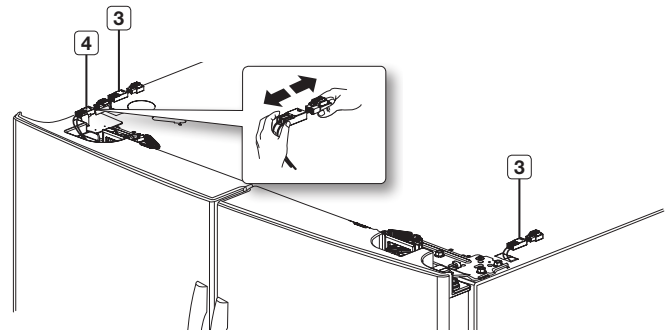
Disassemble the refrigerator doors

1. With the door opened, remove the cap top table (1) with a flat-blade screwdriver(-), and close the door. Remove the 3 screws holding down the top table (2) and turn it over with several wires connected.

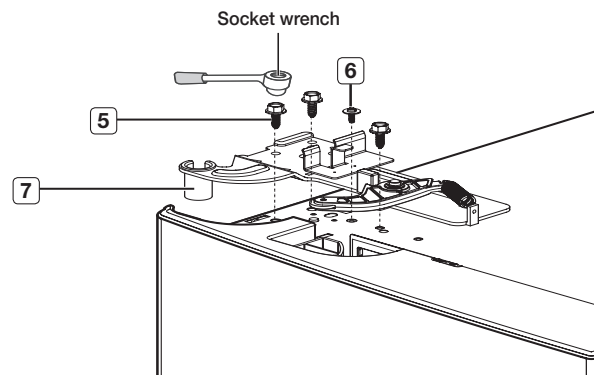


Setting up your French Door Refrigerator

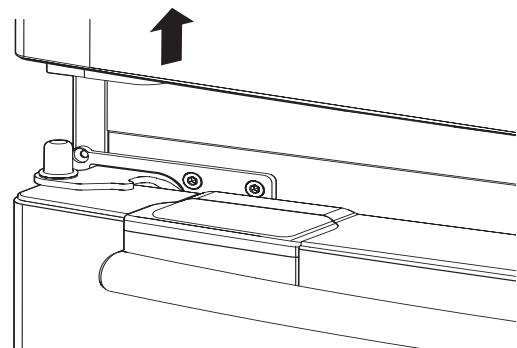
2. Disconnect two connectors (3) on the both side doors. and one connertor (4) on the left side door.



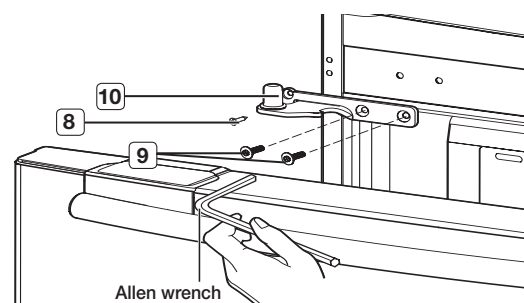
3. Remove the 3 hex head bolts (5) attached to the upper left and right door hinges with a socket wrench (10mm). Remove the ground screw (6) attached to the upper left and right door hinges with a philips screwdriver (+). Remove the upper left and right door hinges (7).



4. Lift the door straight up to remove.

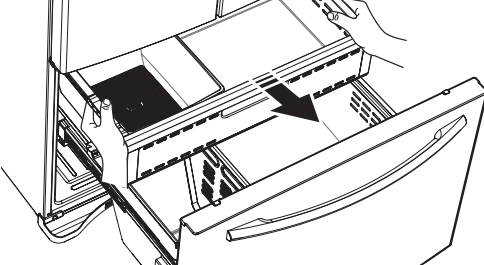


5. Remove the screw (8) attached to the lower left and right door hinges with a philips screwdriver (+). Remove the 2 hex head bolts (9) attached to the lower left and right door hinges with an allen wrench (3/16"). Remove the lower left and right door hinges (10).

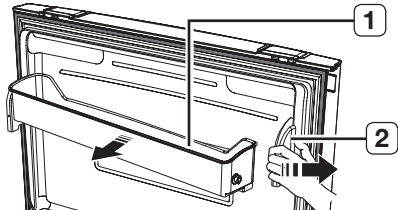


DISASSEMBLE THE FREEZER DRAWER


1. Take out the upper drawer by lifting it up.




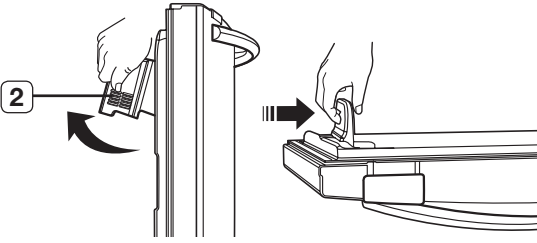
2. Slightly pull the left support guard (2) to the left, allowing the pizza pocket (1) just enough room to slip off the hook. Then pull the pizza pocket (1) forward.



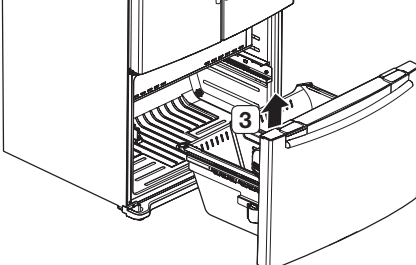
3. Lift up the bottom of the support guard (2) and pull it inward to remove it.

 Do it again, for right side.

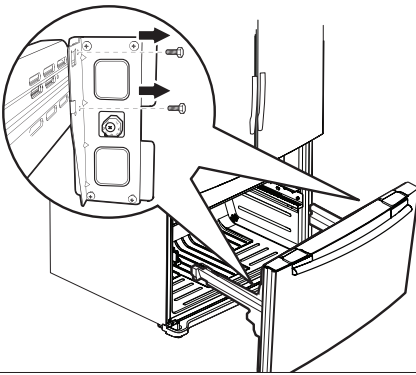
 Be careful not to break the parts.
CAUTION



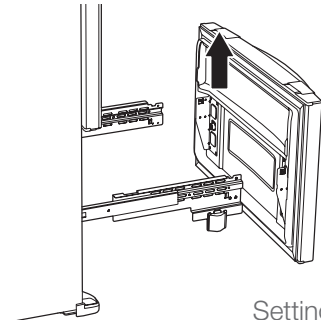
4. Take out the lower basket (3) by lifting the basket up from the rail system.



5. Remove 4 hex head bolts from both sides with a socket wrench (10mm).



6. Lift up the freezer door from the rails.

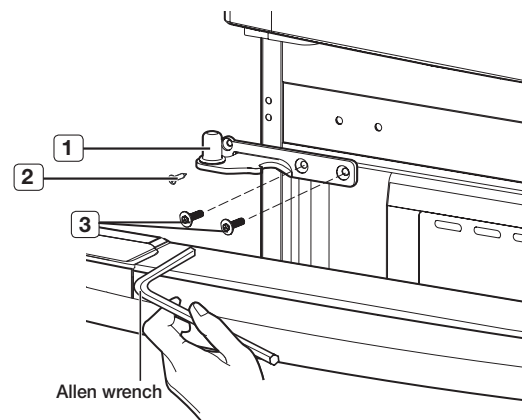


Setting up your French Door Refrigerator


REATTACHING THE REFRIGERATOR DOORS

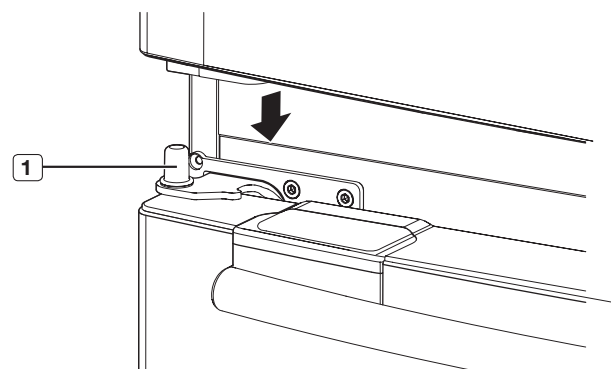
Assemble the refrigerator doors

1. Reattach the lower left and right door hinges ((1)). With a Philips head screwdriver, insert the screw ((2)) into the lower left and right door hinges, and then tighten. Insert the 2 hex head bolts ((3)) into the lower left and right door hinges, and then tighten with an allen wrench (3/16").

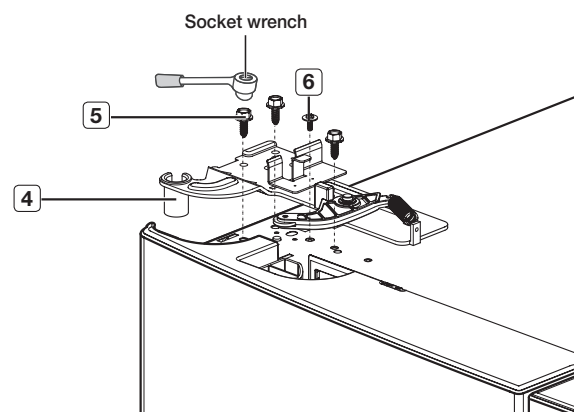


2. Place the hole in the bottom of the door over the door hinge ((1)).

 Be careful not to miss the hinge cap because it can be easily taken off.

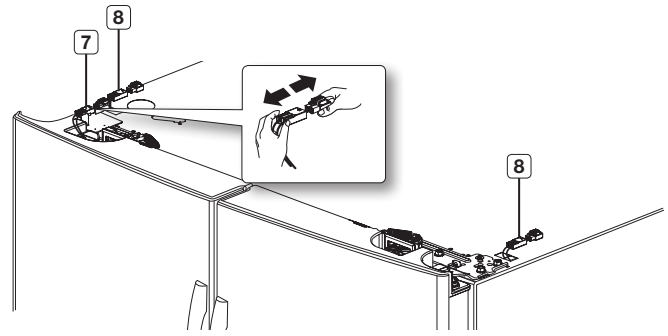


3. Insert the upper hinges ((4)) into the holes at the top of the doors. Insert the 3 hex head bolts ((5)) into the upper left and right door hinges, and then tighten with a socket wrench (10mm). Insert the ground screw ((6)) into the upper left and right door hinges, and then tighten with a philips screwdriver (+).





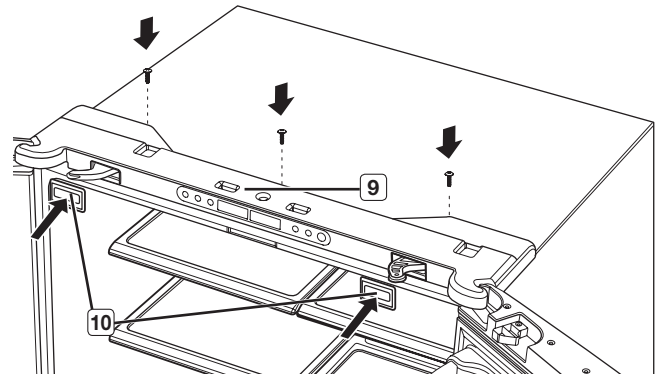
REATTACHING THE REFRIGERATOR DOORS

4. Connect the connector (7) on the left side door and two connectors (8) on the both side of doors.



5. Position the top table (9) in place. Insert the 3 screws into the top table, and tighten with a philips screw driver (+). Open the door, reinsert the cap top table (10) and close the doors.

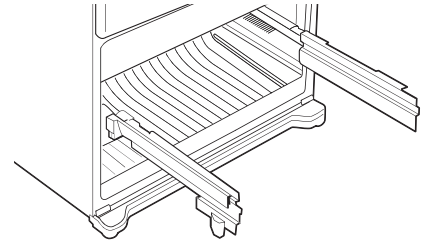
-  When reattaching the top table, make sure that the wires are not pressed or damaged by the hinge cover.
-  After assembling, close the door and check to see whether the door has gaps between gaskets or is tilted. If they are, please refer to "Adjusting the level" on page 15.



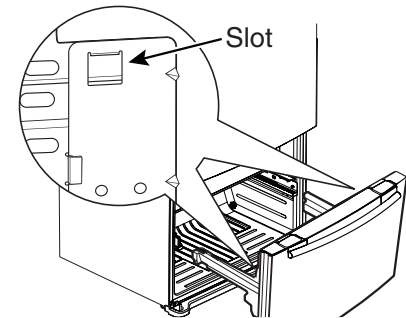
Setting up your French Door Refrigerator

ASSEMBLE THE FREEZER DRAWER

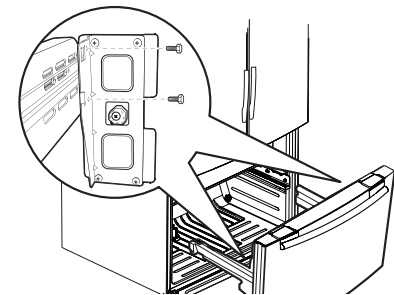
1. Pull out the rails fully on each side of the cabinet.



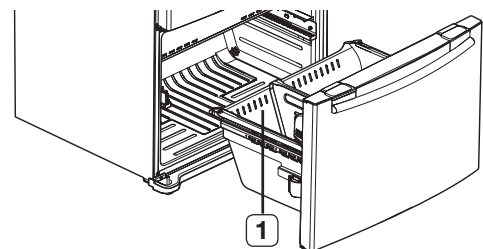
2. Attach the freezer door front onto the open slots on the sides.



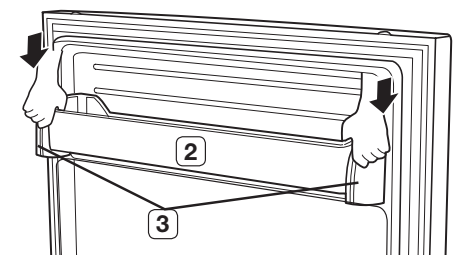
3. Tighten 4 hex head bolts completely with a socket wrench(10mm).




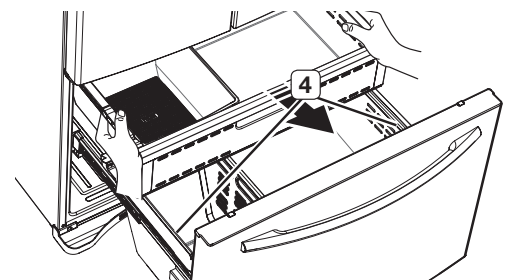
4. Insert the lower basket (1) into the rail system.



5. Hook the ends of the tilting pocket (2) onto the brackets (3) and push down until they are locked into place.



 Remove 2 pieces of tape (4) attached to the side of the drawer bin. Reattach the tape in the same position when moving the refrigerator to prevent scratching the drawer bin.



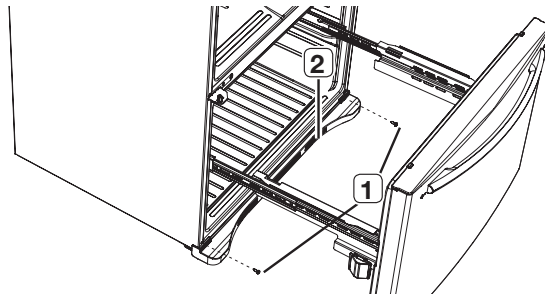
Setting up your French Door Refrigerator

ADJUSTING THE LEVEL

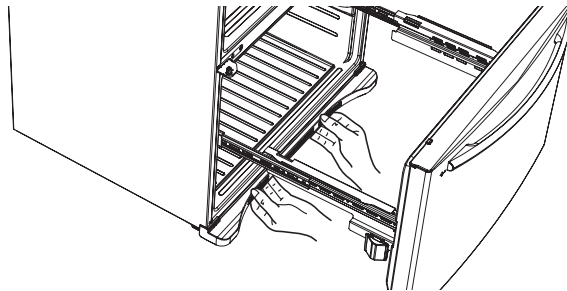
Make sure the refrigerator is level so that you can make final adjustments. Use a level to test if the refrigerator is level both side to side and back to front. If the refrigerator is not level, it will not be possible to get the doors perfectly even, which may cause moisture condensation and increased energy bills. Below is an example of how to level the refrigerator if the left side of the refrigerator is lower than the right side.

How to adjust the level

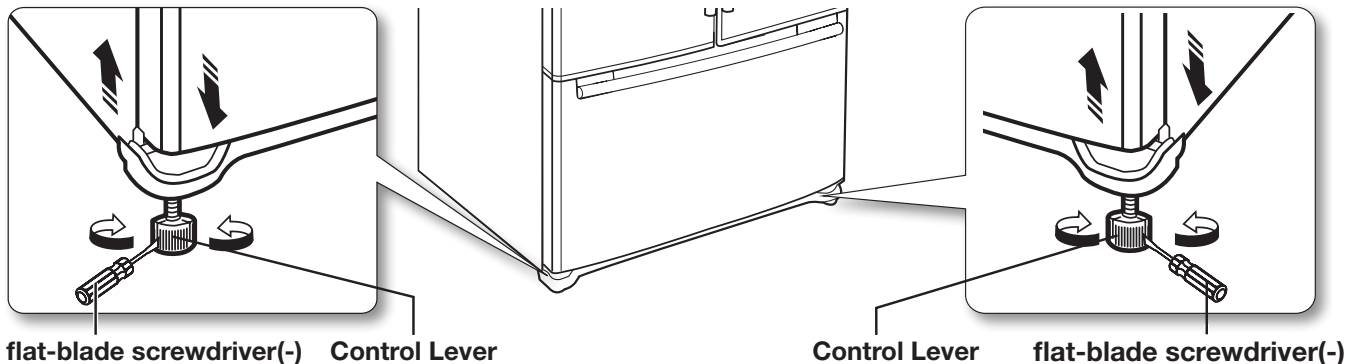
1. To disassemble the freezer drawer, see 'Step 1' to 'Step 4' on page 11
2. Remove the two screws (1) attached to the cover leg front (2) with a Philips screwdriver(+).



3. Remove the cover leg front (2) by lifting the bottom part of the cover leg front up and pulling it out.



4. Insert a flat-blade screwdriver (-) into a notch on the left control lever, and turn it count clockwise to level the refrigerator. (You turn the lever clockwise to lower the refrigerator and counterclockwise to raise it.)



Both control levers must be touching the floor to avoid possible personal injury or property damage because of tipping.



If the right side is lower, perform the same procedure, but with the right control lever.

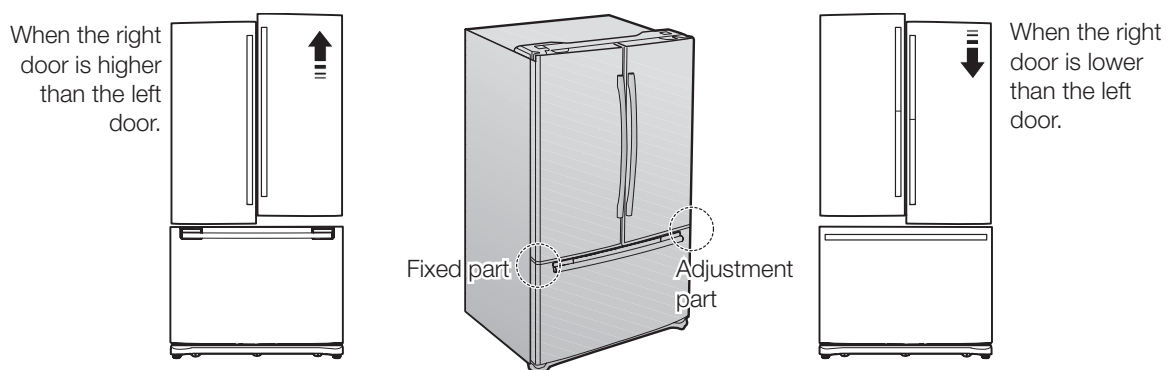


It is difficult to remove the cover leg front from the refrigerator, so we do not recommend making small adjustments with the control lever. Instead, refer to the next page for the best way to make minor adjustments to the doors.

Setting up your French Door Refrigerator

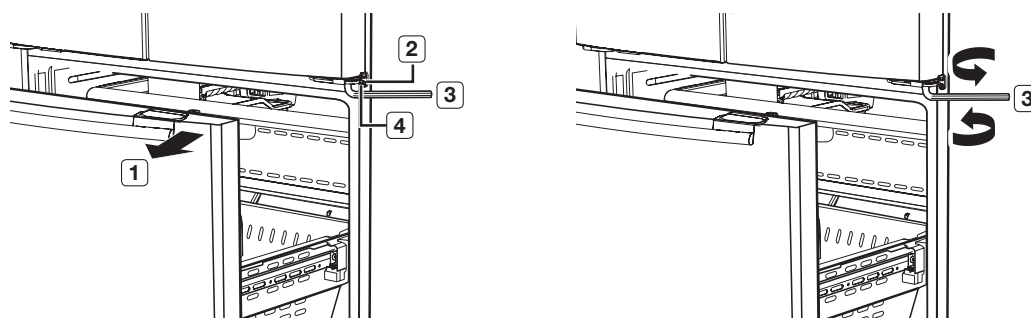
MAKING MINOR ADJUSTMENTS BETWEEN DOORS

Remember, a leveled refrigerator is necessary for getting the doors perfectly even. If you need help, review the previous section on leveling the refrigerator.



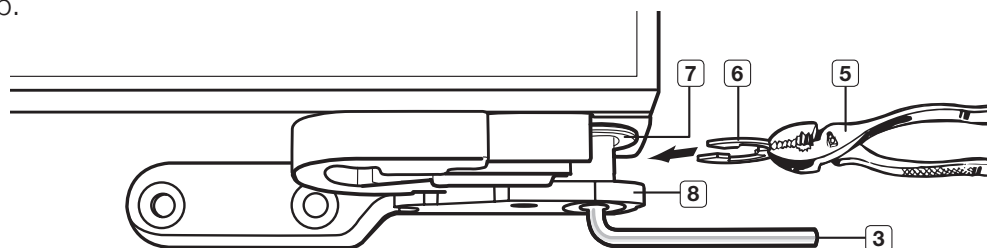
 The left door is fixed. To make minor adjustments between doors, adjust only the right door.

1. Pull out the freezer drawer (1) to expose the lower hinge (2).
2. Insert the supplied allen wrench (3/16") (3) into the shaft (4) of the lower hinge.
3. Please adjust the height by turning the hex wrench (3) clockwise (↻) or counter-clockwise (↺).



 When you turn the hex wrench counter-clockwise (↺), the door will move up.

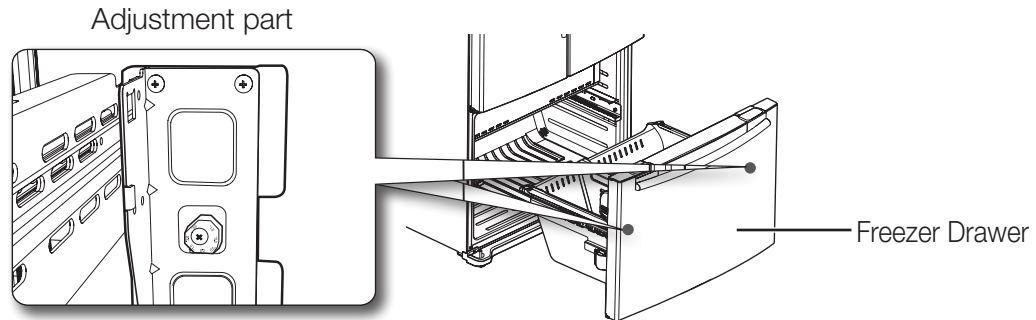
4. After adjusting the doors, please insert the supplied fastener (6) using a pliers (5) in the gap between the hinge-grommet (7) and the lower hinge (8). The number of fastener you'll need to insert depends on the gap.



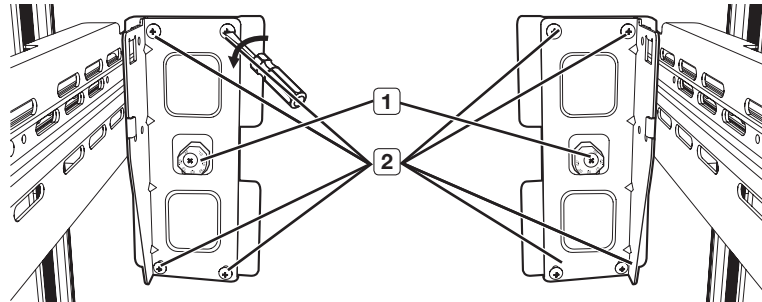
 2 fastener are enclosed with the refrigerator. The thickness of each fastener is 0.04".

Setting up your French Door Refrigerator

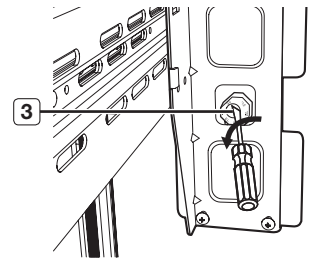
ADJUSTING THE FREEZER DRAWER LEVEL



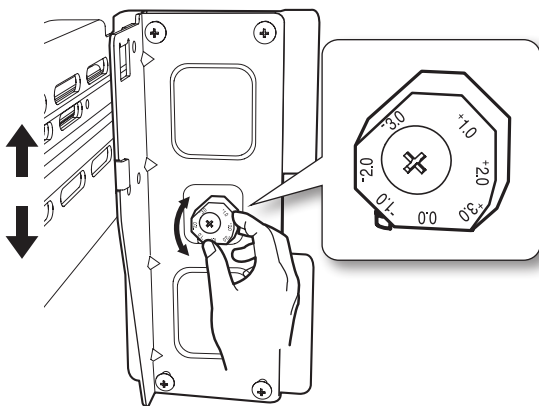
1. Locate the height-adjuster (1) in the freezer drawer.
Unscrew the 8 Phillips screws (2) slightly to loosen the door.



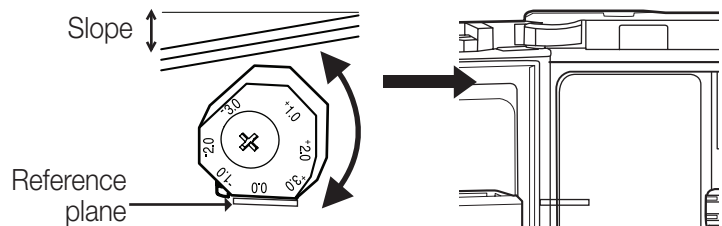
2. Loosen the controller screw (3) with a Phillips screwdriver (+).



3. Find the best level to align the door slope.



Example) The slope is about 0.08inch (2mm) as shown below.
- Rotate the height adjuster to -2.0 to reduce the door slope.



→ After adjustment, tighten the controller screw (3) and then the philips screws.


Setting up your French Door Refrigerator

INSTALLING A WATER LINE KIT

To help promote better health, the water filter removes unwanted particles from your water. However, it does not sterilize or destroy microorganisms. You may need to purchase a water purifying system to do that.

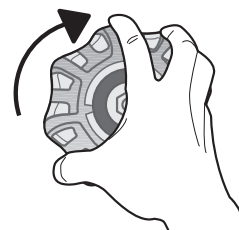
For the ice maker to operate properly, a water pressure of 20~125 psi is required. Within this water pressure range, a 170 cc (5.75 oz.) cup fills in about 10 seconds.

If the refrigerator is installed in an area with low water pressure (below 20psi), you can install a booster pump to compensate for the low pressure.

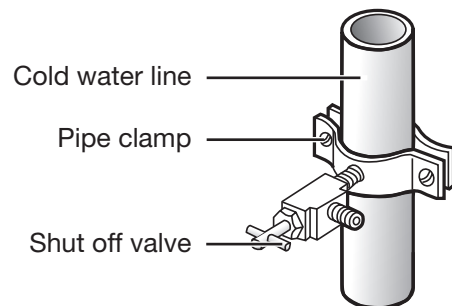
 Water line installation kits are available at extra cost from your dealer. We recommend using a water line installation kit that contains copper tubing and 1/4" compression nut.

Connecting to the water supply line

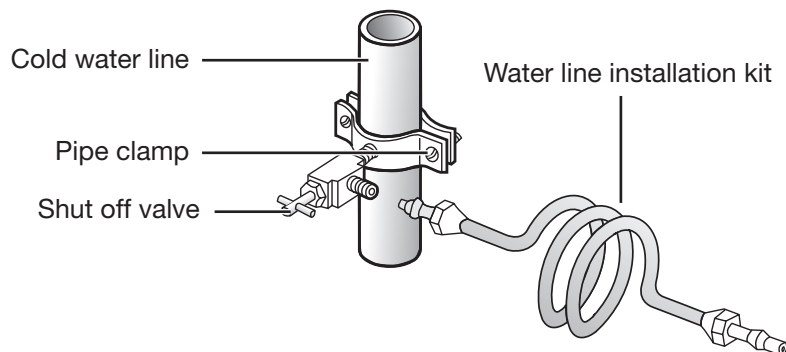
1. First, shut off the main water supply.



2. Locate the nearest cold water drinking line and install the pipe clamp and shut off valve.



3. Connect the water line installation kit to shut off valve. Check for leaks, then go to Connecting the Water Supply Line to the Refrigerator on the next page.



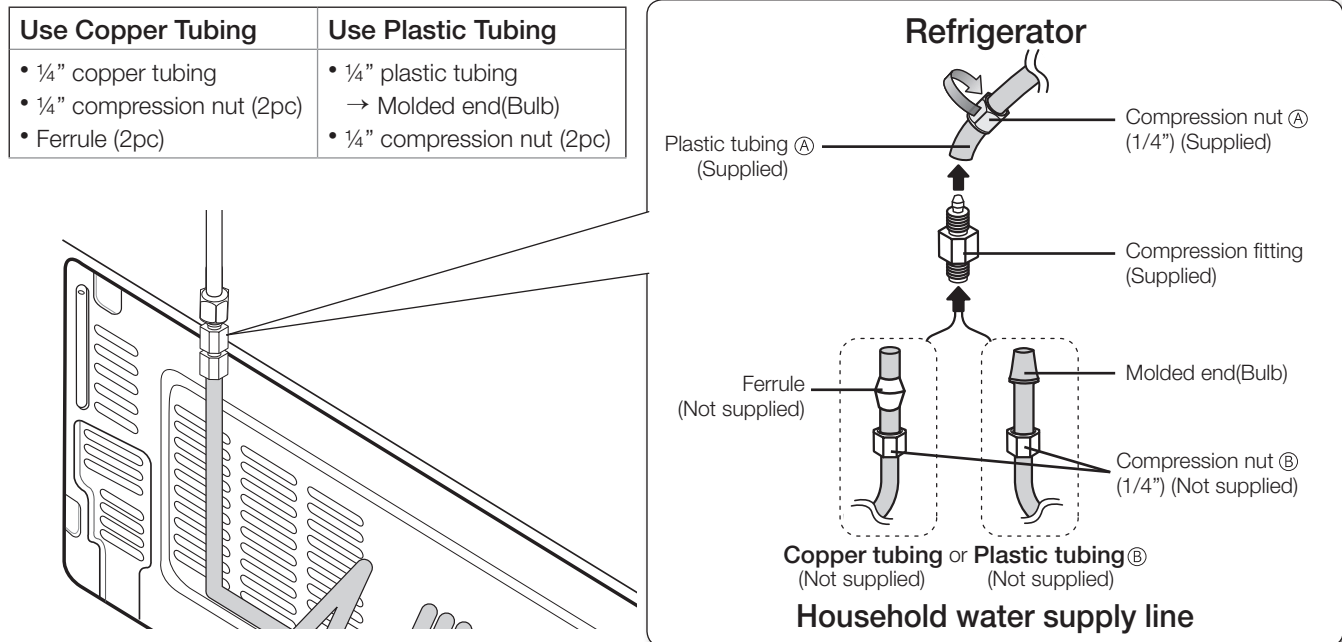
Setting up your French Door Refrigerator

CONNECTING THE WATER SUPPLY LINE TO THE REFRIGERATOR

Connecting the water supply line to the refrigerator.

There are several items that you need to purchase to complete this connection.

You may find these items sold as a kit at your local hardware store.



1. Slip the compression nut ① through the supplied plastic tubing ①.
2. Tighten the compression nut ① onto the 1/4" compression fitting.
 - If you are using copper tubing, slip the compression nut ② (not supplied) and ferrule (not supplied) on copper tubing (not supplied) as shown.
 - If you are using plastic tubing ②, insert the molded end (Bulb) of the plastic tubing ② into the compression fitting.



Do not use without the molded end (Bulb) of the plastic tubing ②.

3. Tighten the compression nut ② onto the compression fitting. Do not over-tighten the compression nut ②.
4. Turn the water on and check for any leakage. If you see water drops or leakage in the connection areas, turn off the main water supply. Check the connections, and tighten more if necessary.
5. Let the ice maker make ice for 1 to 2 days. Over that period of time, throw out the first 1 or 2 buckets of ice the ice maker makes to ensure all impurities have been removed from the water line.
6. Check again for leaks. If you see water drops or leakage in the connection area, turn off the main water supply. Check the connections, and tighten more if necessary.



Only connect the water line to a drinkable water source.

If you have to repair or disassemble the water line, cut off 1/4" of the plastic tubing to make sure you get a snug, leak-free connection.

Setting up your French Door Refrigerator

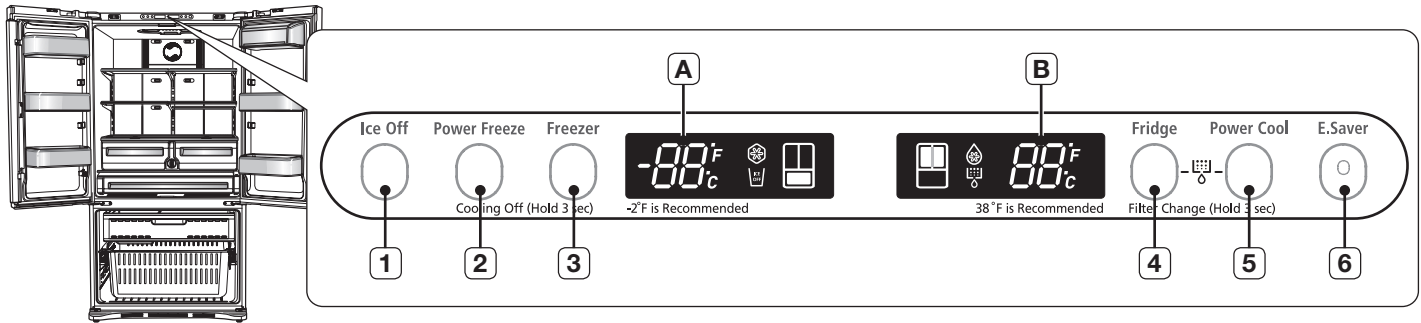
COMPLETING THE SET UP

Now that you have your new refrigerator installed in place, you are ready to set up and enjoy the features and functions of the appliance. By completing the following steps, your refrigerator should be fully operational.

1. Make sure your refrigerator is in an appropriate location with reasonable clearance between it and the wall. Refer to installation instructions in this manual.
2. Once the refrigerator is plugged in, make sure the interior light comes on when you open the doors.
3. Set the Temperature control to the coldest temperature and wait for an hour. The freezer will get slightly chilled and the motor will run smoothly.
Reset the refrigerator and freezer to the temperatures you want.
4. After you plug the refrigerator in, it will take a few hours to reach the appropriate temperature. You can store food and drinks in the refrigerator after the temperature is sufficiently cool.

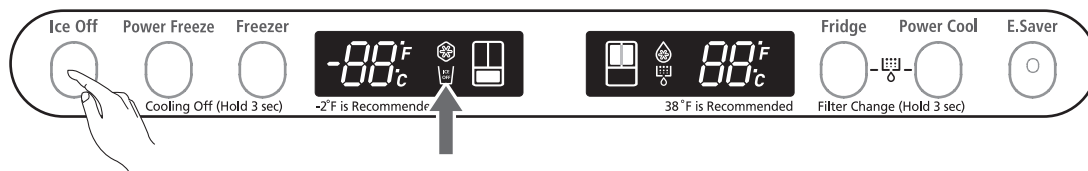
Operating your French Door Refrigerator

USING THE CONTROL PANEL & DISPLAY



Ice off Button

Press the Ice Off button (1) if you don't want to make more ice. The icon (ICE OFF) lights up and the Ice-Maker stops making ice.



- If the following occurs, turn off the ice maker.
- There is enough ice in the ice bucket.
 - You want to save on water and energy.
 - Water is not being supplied to refrigerator.



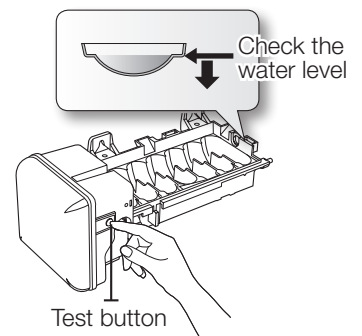
If the ice maker function is ON, and the water line is not connected, you will hear a water valve noise from the back of the unit. Press the Ice Off button until the ice Off indicator (ICE OFF) illuminates.

If you want to fill the ice cube bucket to maximum capacity after installation, follow these steps:

1. After the refrigerator turns on for the first time, check the display to see whether the Ice Off light is ON or OFF. If the Ice Off light is ON, press the Ice Off button.
2. Allow your refrigerator to operate and cool down for 24 hours (or 1 full day). Waiting 24 hours will allow your ice maker to cool properly.
3. After 24 hours or one full day, press the Ice Off button again.



- If ice doesn't come out, press the test button located on the right side of ice maker.
- Do not press the test button continuously when the tray is filled with ice or water. Water may overflow or the ice may become jammed.
- Use only the ice maker provided with the refrigerator.
- The water supply to this refrigerator must be installed/ connected by a suitably qualified person and connected to a potable water supply only.
- To operate the ice maker properly, water pressure of 20~125psi is required.
- Do not try to disassemble the ice maker.

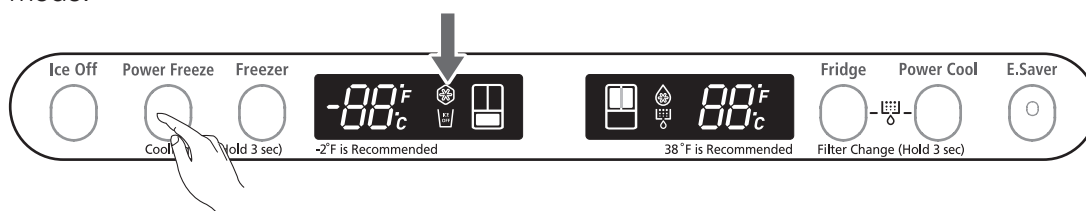


Operating your French Door Refrigerator

USING THE CONTROL PANEL & DISPLAY

Power Freeze Button

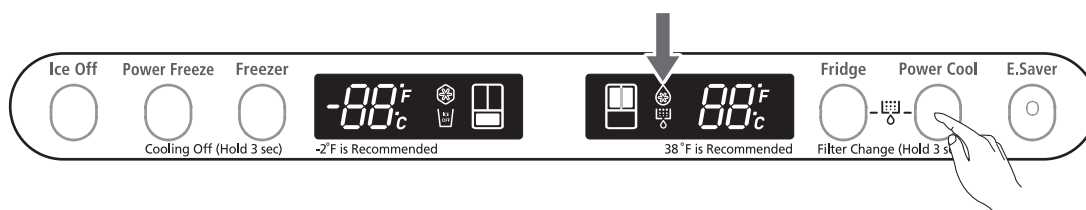
Press the Power Freeze button (2) if you want products to freeze more quickly in the freezer. The icon (❄️) lights up and the inside temperature of the freezer decreases for about two and a half hours. To turn off Power Freeze before the 2 1/2 hours are up, just press the button again to cancel the Power Freezer mode.



☑️ If you select the Power Freeze mode, you may hear a little of noise because of the continuous operation of the compressor.

Power Cool Button

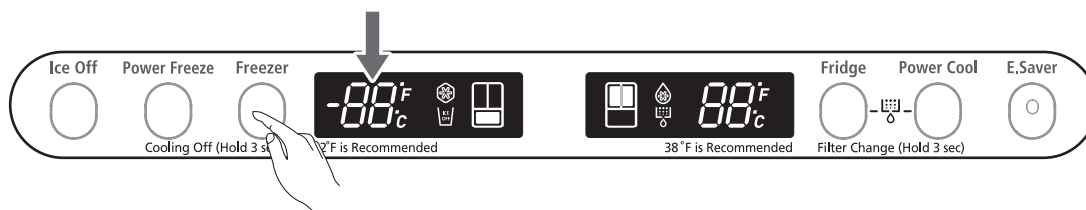
Press the Power Cool button (5) if you want products to cool more quickly in the fridge. The icon (❄️) lights up and the inside temperature of the fridge decreases for about two and a half hours. To turn off Power Cool before the 2 1/2 hours are up, just press the button again to cancel the Power Cool mode.



☑️ If you select the Power Cool mode, you may hear a little of noise because of the continuous operation of compressor.

Freezer Button

Press the Freezer button (3) repeatedly until the desired temperature is shown in the display (A). Whenever you press the button, the temperature will move 2°F degrees with each push. You can set the temperature between 8°F and -8°F. Five seconds after the new temperature is set, the display will again show the actual current freezer temperature until a new temperature is selected.

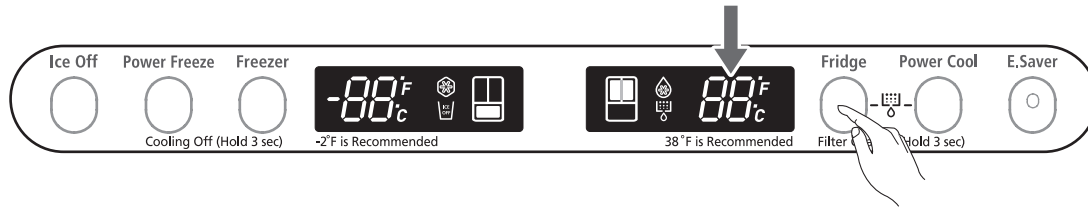


☑️ -2°F is recommended.

Operating your French Door Refrigerator

Fridge Button

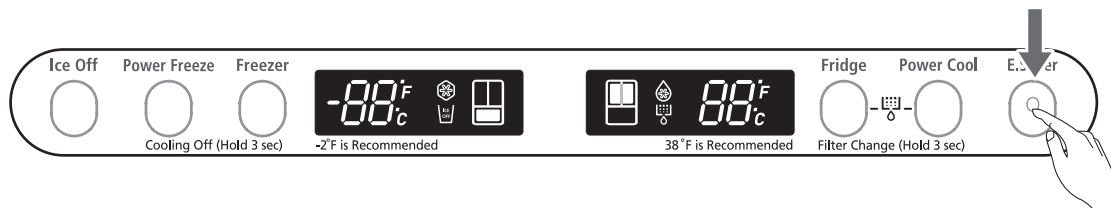
Press the Fridge button (4) repeatedly until the desired temperature is shown in the display (B). Whenever you press the button, the temperature will move 2°F degrees with each push. You can set the temperature between 46°F and 34°F. Five seconds after the new temperature is set, the display will again show the actual current refrigerator temperature until a new temperature is selected.



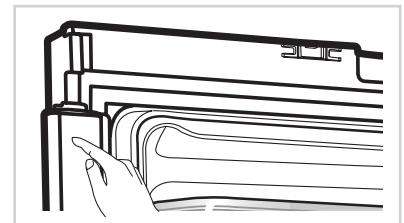
- ☑ 38°F is recommended.
- ☑ The temperature of the freezer and fridge may rise if you open the doors too frequently or if you place a large amount of warm or hot food inside. This may cause the digital display to blink. Once the freezer and refrigerator temperature return to their normal set temperatures, the blinking stops. If the blinking continues, you may need to “reset” the refrigerator. Try unplugging the appliance, waiting for around 10 minutes, and then plugging the power cord back in.

E.Saver Button

Press the E.Saver Button (6) for better energy efficiency. If E. Saver mode is ON, the button will light up blue.

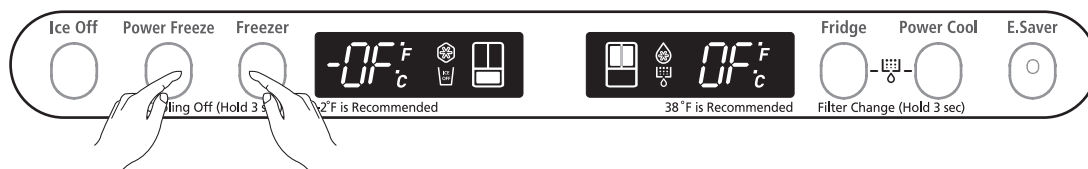


- ☑ If condensation occurs on the doors, wipe up the water drops and turn the E.Saving function off.



Cooling Off Mode

- ☑ This function is for store display refrigerators. It is not for customer use.
- ⚠ **CAUTION** In Cooling Off Mode, the refrigerator's lights go on, but doesn't make cool air. To cancel this mode, press the Power Freeze and Freezer buttons at the same time for 3 seconds until you hear a “Ding-Dong” sound. The unit will now cool.




Operating your French Door Refrigerator

USING THE CONTROL PANEL & DISPLAY


Filter




To reduce risk of water damage to your property DO NOT use generic brands of water filters in your SAMSUNG Refrigerator. USE ONLY SAMSUNG BRAND WATER FILTERS. SAMSUNG will not be legally responsible for any damage, including, but not limited to property damage caused by water leakage from use of a generic water filter. SAMSUNG Refrigerators are designed to work ONLY WITH SAMSUNG WATER Filter.


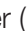

The Filter light () lets you know when it is time to change your water filter cartridge. When the filter indicator lights up red, it is time to change the filter. Changing the filter on time provides you with the freshest, cleanest water from your refrigerator. Typically, you need to change the filter about every 6 months.

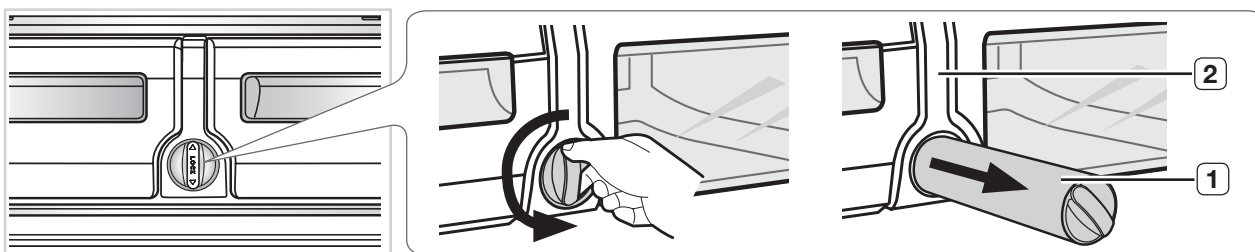




-  • The Filter Indicator will be Blue when you purchase the new refrigerator.
- The Filter Indicator will be Pink after the filter has filtered 270 gallons of water or 5 months.
- The Filter Indicator will be Red after the filter has filtered 300 gallons of water or 6 months.

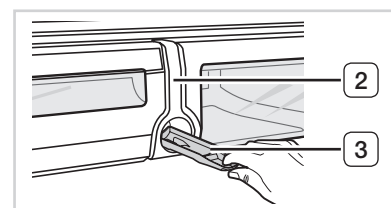
-  Depending on the condition of your water and region, the amount of time a filter lasts can vary. In some areas, you may need to change the filter every two months.


How to change the water filter

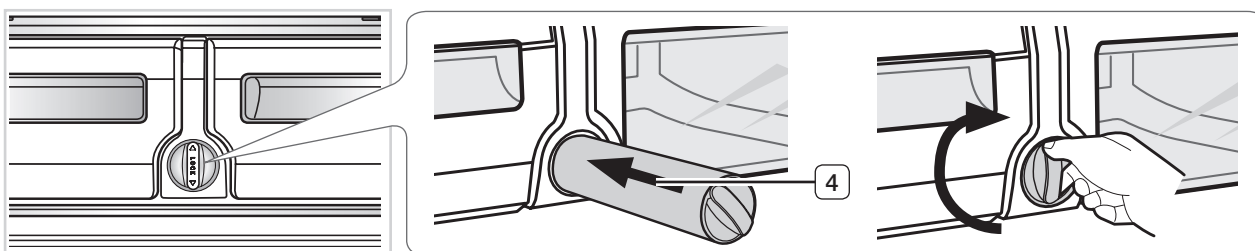
1. Turn the water filter () about 1/4 turn, counter-clockwise.
2. Pull the water filter () from the case filter ().



-  - To change the water filter more easily, shut off the water supply valve.
- Sometimes, it is hard to disassemble the water filter because impurities in the water can cause it to stick. If this occurs, grip the water filter firmly and pull it hard.
- When you pull the water filter, a little of water can leak from the filter or opening. This is normal. To minimize water leaks, keep the filter cartridge horizontal when you pull it.
- To prevent overflow, empty the water filter tray and dry around the case filter ().



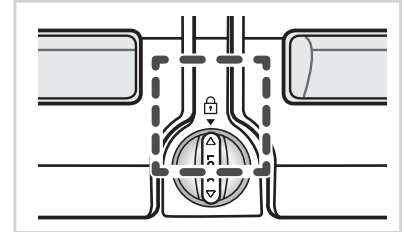
3. Insert the new filter into the case filter ().
4. Push the filter, and then turn it clockwise until it locks.




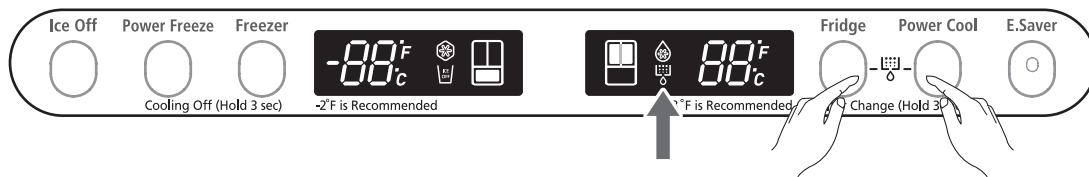
Operating your French Door Refrigerator

USING THE CONTROL PANEL & DISPLAY

- ☞ - If you have trouble inserting the water filter because of high water pressure, shut off the water supply valve.
- The locked symbol should be lined up with the indicator line.



5. Press the “Fridge” and “Power Cool” button simultaneously for about 3 seconds to reset the water filter. The indicator color () changes to blue from red.



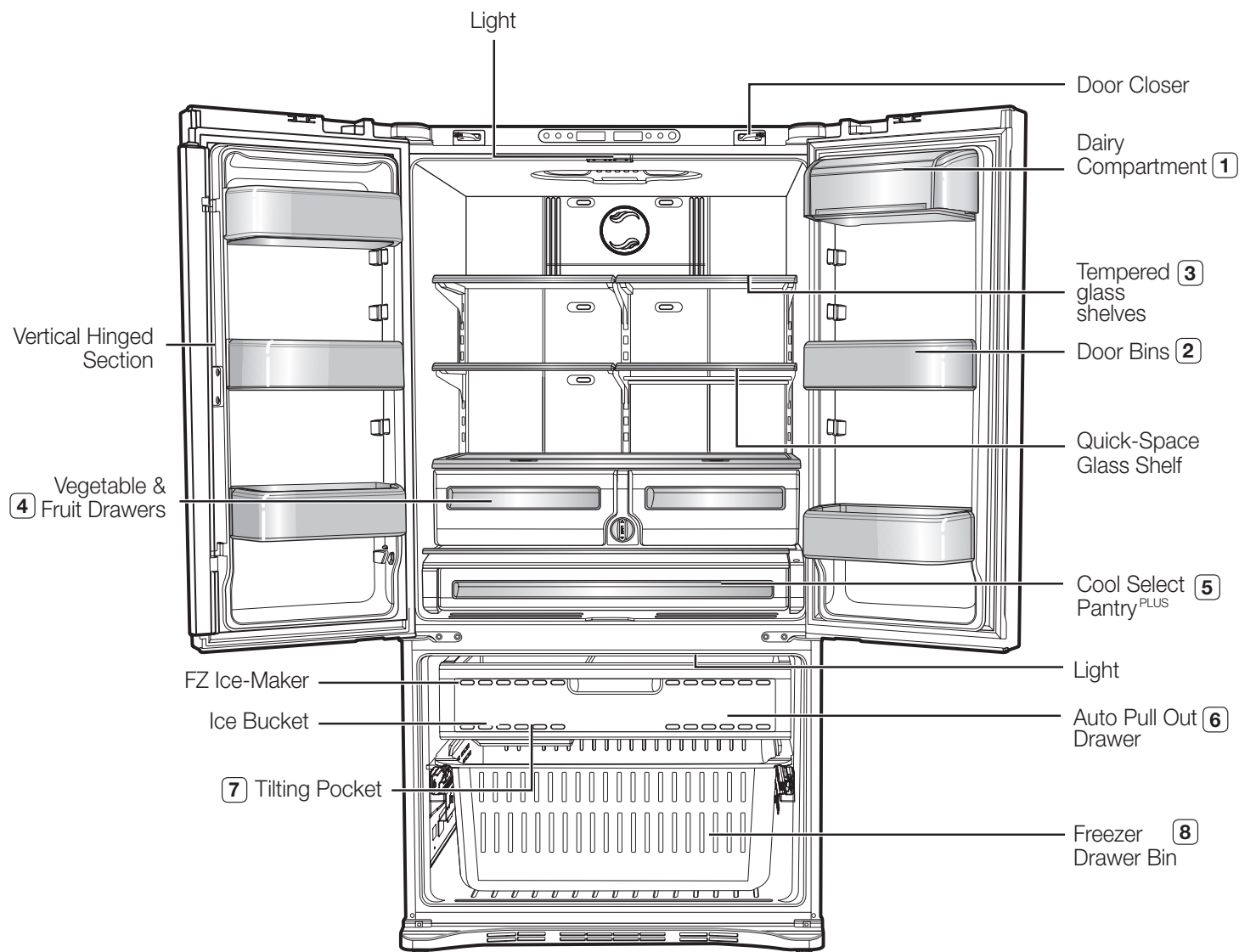
6. If you turned off the water supply, turn it back on.




- ☞ For a replacement water filter, you can visit your local home improvement center or visit Samsung's authorized Parts distributor on line at www.samsungparts.com.
Be sure the replacement water filter has the SAMSUNG logo on the box and on the water filter.

Operating your French Door Refrigerator

PARTS AND FEATURES

Use this page to become more familiar with the parts and features of the refrigerator.



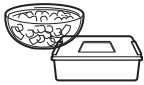





-  When closing the door, make sure the Vertical Hinged Section is in the correct position to avoid scratching the other door.
If the Vertical Hinged Section is reversed, put it back to the right position and close the door.
Moisture may appear at times on the Vertical Hinged Section.
The door handle may become loose over time. If this happens, tighten the bolts found on the inside of the door.
If you close one door with a lot of force, the other door may open.
-  When the door opens, the interlock switch automatically turns off the auger motor in the ice maker for safety reasons.
-  When the interior or exterior LED lamp has gone out, please contact your service agents.

Operating your French Door Refrigerator


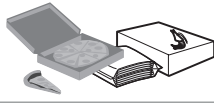

STORING FOOD IN THE FRIDGE


Your Samsung French Door Refrigerator has been designed to provide you with maximum space saving features and functions. Here are some of the customized compartments we have created to keep your food fresher longer. In order to further prevent odor from seeping into the ice compartment, wrap stored food securely and make food containers as airtight as possible.


(1) DAIRY COMPARTMENT	Use to store small dairy items like butter or margarine, yogurt or cream cheese bricks.	
(2) DOOR BINS	Designed to handle large, bulky items such as gallons of milk or other large bottles and containers.	
(3) TEMPERED GLASS SHELVES	Designed to be crack-resistant, the shelves can be used to store all types of food and drinks. Circular marks on the glass surface are a normal phenomenon and can usually be wiped clean with a damp cloth.	
(4) VEGETABLE & FRUIT DRAWERS	Use to preserve the freshness of your stored vegetables and fruits. These drawers can control the level of humidity for items that must retain moisture. Keep vegetables and fruit separate when possible.	
(5) COOL SELECT PANTRY PLUS	Use for large party trays, deli items, pizzas, beverages or miscellaneous items.	

 Do not place any large articles of food under the lamp in the fridge. An air sensor is located near the lamp and if the sensor is blocked, your fridge may become too cold. Please place vegetables and fruit in the vegetable and fruit drawers to avoid freezing them. If the food in your fridge becomes frozen, please set the temperature higher.

STORING FOOD IN THE FREEZER DRAWER

(6) AUTO PULL OUT & SUPER EXTENDED DRAWER	Best used to store meats or dry foods. Stored food should be placed in a container or wrapped securely using foil or other suitable wrapping materials.	
(7) TILTING POCKET	Use for small packages of frozen food. You can store a 16" pizza.	
(8) FREEZER DRAWER BIN	Use to store meat and dry foods. Stored food should be placed in a container or wrapped securely using foil or other suitable wrapping materials.	

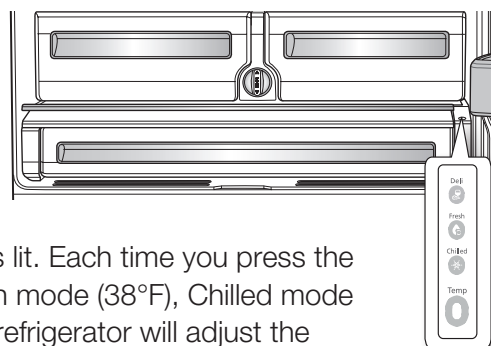
 Bottles should be stored tightly together so that they do not tip and fall out when the fridge door is opened.

 If you plan to go away for a long time, empty the fridge and turn it off. Wipe the excess moisture from the inside of the appliance and leave the doors open.

Operating your French Door Refrigerator

USING THE COOL SELECT PANTRY^{PLUS}

The Cool Select Pantry^{PLUS} is a full-width drawer with an adjustable temperature control. You can use the Pantry for large party trays, deli items, pizzas, beverages, or miscellaneous items. There is a temperature sensor which can adjust the amount of cold air allowed into the Pantry. The control buttons are located on the right side of the Pantry.



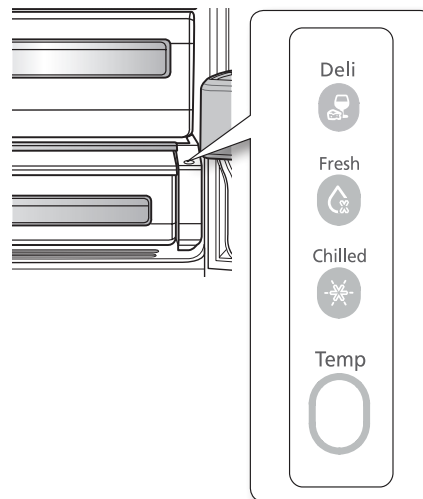
- Press the Temp button repeatedly until the mode you want is lit. Each time you press the Temp button, you select a different mode in this order : Fresh mode (38°F), Chilled mode (34°F), Deli mode (41°F). Initially, the Fresh mode is set. The refrigerator will adjust the temperature in the Pantry to the temperature you selected automatically.
- The Pantry temperature may change depending on the number of items inside and where they are located, the ambient temperature, and how often the door is opened.

Temperature

The Pantry provides three temperature settings: Fresh (38°F), Chilled (34°F), and Deli (41°F).

Selection Button

1. When “Deli” is selected, the temperature of the pantry will be kept around 41°F (5°C). This feature helps keep food fresh for a long time.
2. When “Fresh” is selected, the temperature of the pantry will be kept around 38°F (3°C). This feature helps keep food fresh for a longer time.
3. When “Chilled” is selected, the temperature of the pantry will be kept around 34°F (1°C). This feature also helps keep meat or fish fresh for a longer time.



Deli

- pineapples
- lemons
- avocados
- potatoes

Fresh

- cucumbers
- apples
- oranges
- grapes
- zucchinis
- corn

Chilled

- steaks
- hard cheeses
- cold cuts
- bacon
- hot dogs



Fruit and vegetables may be damaged under the “Chilled” setting. Do not store lettuce or other leafy produce in the Pantry.



CAUTION Do not store glass bottles in this pantry. If they are frozen, they can break and cause personal injury.


Operating your French Door Refrigerator


REMOVING THE REFRIGERATOR ACCESSORIES

1. Door Bins & Dairy Compartment

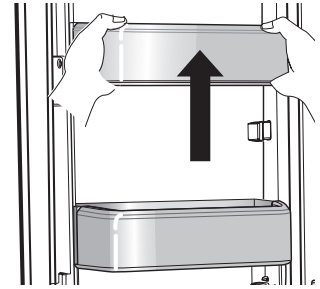
To remove - Simply lift the bin up and pull straight out.

To relocate - Slide it in above the desired location and push down until it stops.

 **CAUTION** Injury may occur if the door bins are not firmly assembled. Do not allow children to play with bins. Sharp corners of the bins may cause injury.

 Do not adjust a bin full of foods. Remove the food first.

Dust removal method - Remove the guard and wash in water.




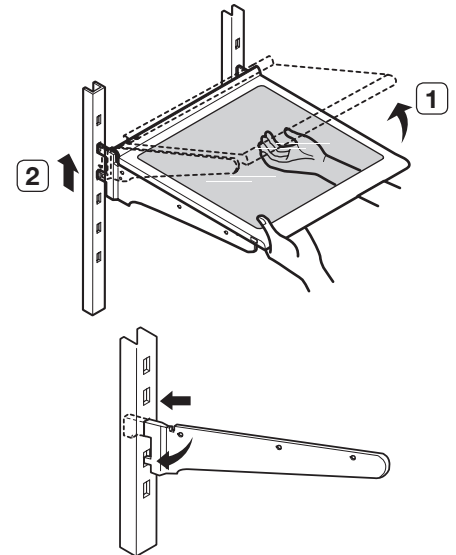
2. Tempered Glass shelves

To remove - Tilt up the front of the shelf in the direction shown (1) and lift it up vertically (2). Pull the shelf out.

To relocate - Tilt the front of the shelf up and guide the shelf hooks into the slots at a desired height. Then lower the front of the shelf so that the hooks can drop into the slots.

 **CAUTION** The Tempered Glass shelves are heavy. Use special care when removing them.


 **CAUTION** To prevent the shelves from falling after relocating them, make sure the shelf hooks are placed in the slots properly.

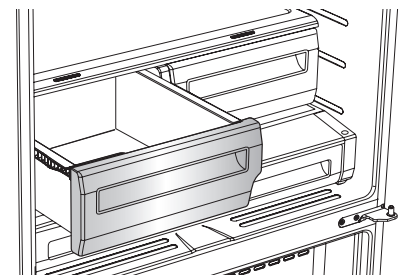


3. Vegetable & Fruit Drawers

To remove - Pull the drawer out to full extension. Tilt up the front of the drawer and pull straight out.

To relocate - Insert the drawer into the frame rails and push back into place.

 **CAUTION** The drawers need to be removed before the glass shelf above them can be lifted out. Do not open the drawers while the Pantry is open. This can scratch or break the drawer.



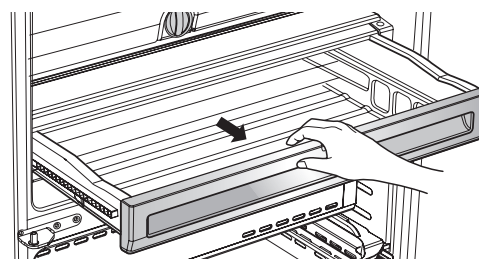
Operating your French Door Refrigerator

REMOVING THE REFRIGERATOR ACCESSORIES

4. Cool Select Pantry^{PLUS}

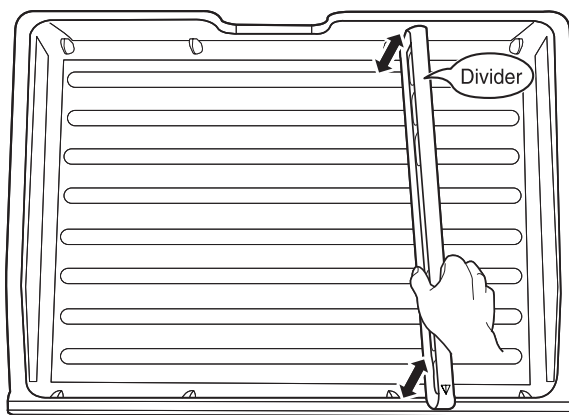
To remove the pantry - Pull the pantry out to full extension. Tilt up the front side of the Pantry and pull straight out.

To relocate the pantry - Push the rails to the back of the refrigerator. Place the drawer onto the rails and slide the Pantry back until it is in place.



To remove the divider - Pull the Pantry completely out to full extension and raise the front side of the divider to unhook it from the rear wall of the Pantry, then lift the divider out.

To relocate the divider - Hook the back of the divider over the rear wall of the Pantry and push the divider down.



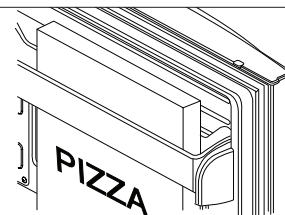
USING THE DOORS

Ensure that the doors close all the way and are securely sealed.

When the refrigerator door is only partially open, it will automatically close. But, the door will stay open when opened more than the auto close range and you must close it manually.

USING THE TILTING POCKET

You can use the Tilting Pocket to store up to a 16" pizza if you place it as shown in the illustration.



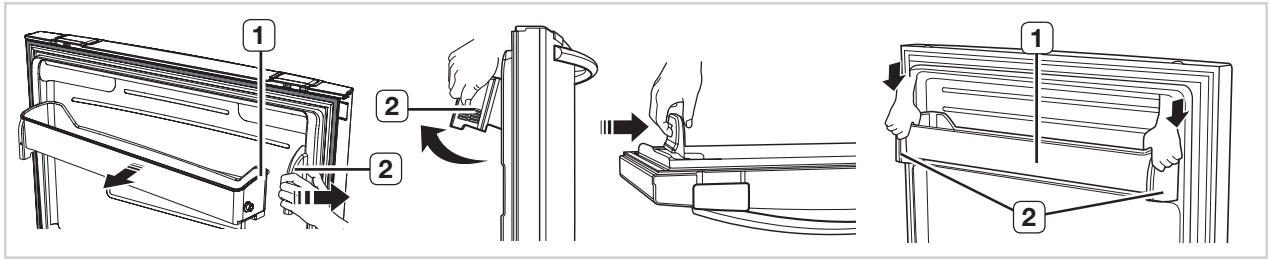
Operating your French Door Refrigerator

REMOVING THE FREEZER ACCESSORIES

1. Tilting Pocket

To remove - Slightly pull the left support guard (2) to the left, allowing the pizza pocket (1) just enough room to slip off the hook. Then pull the pizza pocket (1) forward. Lift up the bottom of the support guard (2) and pull it inward to remove it.

To replace - Hook the ends of the tilting pocket (1) onto the support guards (2) and push down until they are locked into place.



2. Ice Bucket

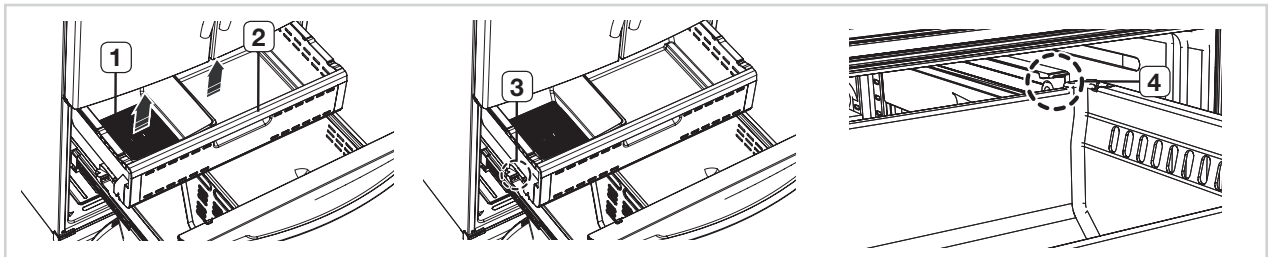
To remove - Open the drawer to full extension. Then remove the ice bucket (1) by lifting it up. (See the illustration below.)

To relocate - Place the ice bucket into the drawer (2).

3. Super Extended Drawer

To remove - Pull the drawer out to full extension. Tilt up the rear of the drawer and lift straight out.

To relocate - Place the drawer onto the rails (4) by tilting it up. Lower the drawer into place until it is horizontal and slide the drawer (3) in.



3. Freezer Drawer

To remove the freezer drawer

- Pull the freezer drawer out fully. Tilt up the rear of the bin and lift it out to remove.

To relocate the freezer drawer

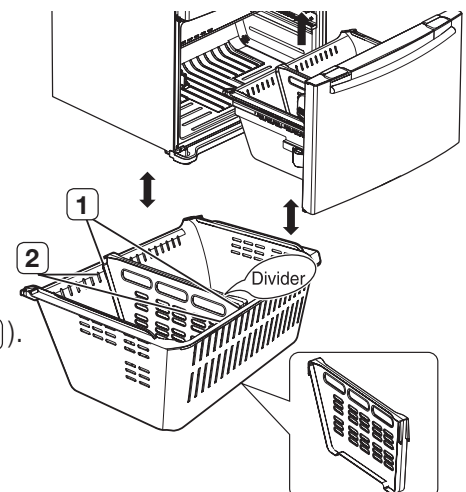
- Place the bin into the rail assembly.

To remove the divider

- Pull the divider straight up.

To relocate the divider

- Hook the top corners of divider (1) over a hole in the bin (2).



Do not allow babies or children go inside the drawer bin. They could damage the refrigerator and seriously injure themselves. Do not sit on the freezer door. The door may break. Do not allow children to climb into the freezer basket.

Operating your French Door Refrigerator

FOOD STORAGE TIPS

Foods	Refrigerator	Freezer	Storage Tips
DAIRY PRODUCTS			
Butter	2-3 Weeks	6-9 Months	Wrap or cover tightly.
Milk	1-2 Weeks	Not recommended	Check date code. Most milk and similar products are sold in date-coded cartons that indicate a product's peak freshness. Re-seal with cap or wrap tightly. Do not return unused portions to original container.
Cream Cheese, cheese food, and cheese spread	2-4 Weeks	Not recommended	Check date code. Keep all cheese tightly packed in moisture proof wrap.
Hard Cheese(unopened)	3-4 Months	6 Months	
Hard Cheese(opened)	2 Months	Not recommended	
Cottage Cheese	10-15 Days	Not recommended	
Cream	7-10 Days	2 Months	Check date code. Most yogurt, creams, and similar products are sold in date-coded cartons that indicate a product's peak freshness. Re-seal or cover tightly. Do not return unused portions to original container.
Sour Cream	2 Weeks	Not recommended	
Cream Dips (opened)	1 Week	Not recommended	
Yogurt	10-14 Days	Not recommended	Check date code. Keep covered.
Frozen Yogurt	n/a	2 Months	
EGGS			
Eggs (uncooked)	3-4 Weeks	Not recommended	Check date code. Store eggs in coldest part of refrigerator and in their original container.
Eggs (cooked)	1 Week	Not recommended	Store in covered container.
Leftover egg dishes	3-4 Days	Not recommended	Store in covered container.
FRESH FRUITS			
Apples	1 Month	Not recommended	If storing in refrigerator, do not wash fruit before storing. Store in moisture resistant bags or containers. Wrap cut fruits. Some fruits darken when refrigerated.
Bananas	2-4 Days	Not recommended	
Peaches, Melons, Pears, Avocados	3-5 Days	Not recommended	
Berries and Cherries	2-3 Days	12 Months	
Apricots	3-5 Days	Not recommended	
Grapes	3-5 Days	n/a	
Pineapple (un-cut)	2-3 Days	Not recommended	
Pineapple (cut)	5-7 Days	6-12 Months	
Citrus	1-2 Weeks	Not recommended	Store uncovered.
Juice	6 Days	Not recommended	Check date code and re-seal in original container. Do not return unused portions to original container.
Frozen Juice	Thawing only	12 Months	Check date code. Do not re-freeze.

Operating your French Door Refrigerator

FOOD STORAGE TIPS

Foods	Refrigerator	Freezer	Storage Tips
FISH AND SHELLFISH			
Fish			
Fatty Fish (mackerel, trout, salmon)	1-2 Days	2-3 Months	Keep in original wrapper and store in coldest part of refrigerator. Package in vapor-proof and moisture proof wrap for freezer. Freeze at 0°F. Thaw in refrigerator or under cold running water
Lean Fish (cod, flounder, etc)	1-2 Days	6 Months	
Frozen or Breaded	n/a	3 Months	Check date code. Freeze in original packaging.
Shellfish			
Shrimp (uncooked)	1-2 Days	12 Months	Freeze package in vapor and moisture-proof container.
Crab	3-5 Days	10 Months	
Cooked Fish or Shellfish	2-3 Days	3 Months	
MEAT			
Fresh, Uncooked			
Chops	2-4 Days	6-12 Months	Check date code for use. Store in coldest part of refrigerator in original packaging. Use additional moisture and vapor-proof container for freezing. Recommended refrigerator temperature 33°F to 36°F and freezer temperature 0°F to 2°F.
Ground	1 day	3-4 months	
Roast	2-4 Days	6-12 Months	
Bacon	1-2 Weeks	1-2 Months	
Sausage	1-2 Days	1-2 Months	
Steak	2-4 Days	6-9 Months	
Poultry	1 day	12 Months	
Lunch meat	3-5 Days	1 month	
Cooked			
Meat	2-3 Days	2-3 Months	Check date code for use. Store in coldest part of refrigerator in original packaging. Place package in moisture and vapor-proof container for freezing.
Poultry	2-3 Days	4-5 months	
Ham	1-2 Weeks	1-2 Months	

Sources :

American Meat Institute Foundation. 1994. Yellow pages: answers to predictable questions consumers ask about meat and poultry.

American Meat Institute Food Marketing Institute. 1999. The food keeper. Food Marketing Institute, Washington, D.C.

Freeland-Graves, J.H. and G.C. Peckham. 1996. Foundations of food preparation, 6th ed. Prentice-Hall, Inc. Englewood Cliffs, NJ.

Hillers, V.N. 1993. Storing foods at home. Washington State University Cooperative Extension, Pullman, WA. Publ. EB 1205.

National Restaurant Association. 2001. Be cool-chill out! Refrigerate promptly. National Restaurant Association Education Foundation's International Food Safety Council, Washington, D.C.

USDA. 1997. Basics for handling food safely. U.S. Department of Agriculture, Food Safety and Inspection Service, Washington, D.C.

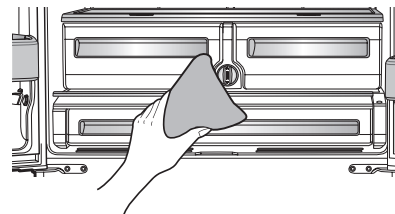
Operating your French Door Refrigerator

CLEANING THE REFRIGERATOR

Caring for your Samsung French Door Refrigerator prolongs the life of your appliance and helps keep the refrigerator from odor and germ.

Cleaning the Interior


Clean the inside walls and accessories with a mild detergent and then wipe dry with a soft cloth. You can remove the drawers and shelves for a more thorough cleaning. Just make sure to dry drawers and shelves before putting them back into place.




Cleaning the Exterior

Wipe the control panel and digital display with a damp, clean, soft cloth. Do not spray water directly on the surface of the refrigerator. The doors, handles and cabinet surfaces should be cleaned with a mild detergent and then wiped dry with a soft cloth. To keep your appliance looking its best, polish the exterior once or twice a year.




 Do not use benzene, thinner, or bleach for cleaning. They may damage the surface of the appliance and may cause a fire.

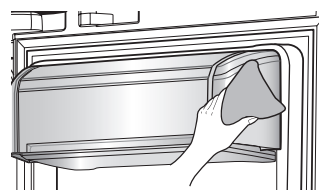
 Printed letters on the display may be erased if the stainless cleaner is applied directly to the area where the letters are printed.



Cleaning the Rubber door seals


If the rubber door seals are dirty, the doors may not close properly, and the refrigerator will not operate efficiently. Keep the door seals free of dust or stain by cleaning the doors with a mild detergent and damp cloth. Wipe dry with a clean, soft cloth.

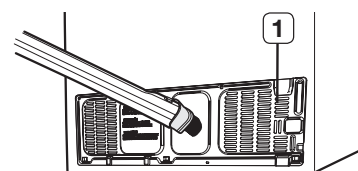
 Do not clean the refrigerator with benzene, thinner, or car detergent due to risk of fire.



Cleaning the rear side of the refrigerator

To keep cords and exposed parts free of dust and dirt accumulation, vacuum the rear side of the appliance once or twice a year.

 Do not remove the back cover(1). It may cause an electric shock.



Troubleshooting

PROBLEM	SOLUTION
The refrigerator does not work at all or it does not chill sufficiently.	<ul style="list-style-type: none"> • Check that the power plug is properly connected. • Check if the set temperature on the digital display is warmer than freezer or fridge inner temperature. • If it is, set the refrigerator temperature colder. • Is the refrigerator in direct sunlight or located near a heat source? • Is the back of the refrigerator too close to the wall, preventing proper ventilation?
The food in the fridge is frozen.	<ul style="list-style-type: none"> • Check if the set temperature on the digital display is too low. • Try setting the refrigerator to a warmer temperature. • Is the temperature in the room too low? Set the refrigerator warmer. • Did you store the food which is juicy in the coldest part of the refrigerator? Try moving those items to other shelves in fridge instead of keeping them in the colder areas or bins.
You hear unusual noise or sounds.	<ul style="list-style-type: none"> • Check that the refrigerator is level and stable. • Is the back of the refrigerator too close to the wall, preventing proper ventilation? Try moving the back of the refrigerator at least 2 inches from the wall. • Was anything dropped behind or under the refrigerator? • A “ticking” sound is heard from inside the refrigerator. This is normal and occurs because various accessories are contracting or expanding as the result of changes in the temperature of the refrigerator’s interior. • If it sounds as if something is hitting something else inside the refrigerator, this is normal. The sound is caused by ice cubes rubbing in the bucket periodically.
The cabinet-door sealing area of the appliance is hot and condensation is occurring.	<ul style="list-style-type: none"> • Some heat is normal as anti-condensators are installed in the vertical hinged section of the refrigerator to prevent condensation. • Is the refrigerator door ajar? Condensation can occur when you leave the door open for a long time.
Ice Maker is not producing ice.	<ul style="list-style-type: none"> • Did you wait for 12 hours after installation of the water supply line before making ice? • Is the water line connected and the shut-off valve opened? • Did you manually stop the ice making function? • Is the freezer temperature too warm? Try setting the freezer temperature lower.
You can hear water bubbling in the refrigerator.	<ul style="list-style-type: none"> • This is normal. The bubbling comes from refrigerant circulating through the refrigerator.
There is a bad smell in the refrigerator.	<ul style="list-style-type: none"> • Check for spoiled food. • Foods with strong odors (for example, fish) should be tightly covered. • Clean out your freezer periodically and throw away any spoiled or suspicious food.
Frost forms on the walls of the freezer.	<ul style="list-style-type: none"> • Is the air vent blocked? Remove any obstructions so air can circulate freely. • Allow sufficient space between the stored foods for efficient air circulation. • Is the freezer drawer closed properly?
Auto close system does not work with the freezer door.	<ul style="list-style-type: none"> • Is there an imbalance between the right and left parts of the door? • Open and close the door smoothly 1~2 times. After you do this, the auto close system usually works properly again. • Try opening the door smoothly to avoid unbalancing the right part and the left part of the door.

Warranty

WARRANTY ON SAMSUNG REFRIGERATOR

LIMITED WARRANTY TO ORIGINAL PURCHASER

This Samsung brand product, as supplied and distributed by Samsung Electronics America, Inc. (Samsung) and delivered new, in the original carton to the original consumer purchaser, is warranted by Samsung against manufacturing defects in materials and workmanship for a limited warranty period of:

One (1) year Parts and Labor on Refrigerator

Five (5) years Parts and Labor on sealed Refrigeration system only*

(*Compressor, evaporator, condenser, drier, connecting tubing)

This limited warranty begins on the original date of purchase, and is valid only on products purchased and used in the United States. To receive warranty service, the purchaser must contact Samsung for problem determination and service procedures. Warranty service can only be performed by a Samsung authorized service center. The original dated bill of sale must be presented upon request as proof of purchase to Samsung or Samsung authorized service center.

Samsung will repair or replace any part found to be defective, at our option and at no charge as stipulatedX herein, with new or reconditioned parts during the limited warranty period specified above. All replaced parts and products become the property of Samsung and must be returned to Samsung. Replacement parts and products assume the remaining original warranty, or ninety (90) days, whichever is longer.

In-home service will be provided during the warranty labor period subject to availability within the contiguous United States. In-home service is not available in all areas. To receive in-home service, the product must be unobstructed and accessible from floor level to service personnel. If during in-home service repair cannot be completed, it may be necessary to remove, repair and return the product. If in-home service is unavailable, Samsung may elect, at our option, to provide for transportation of our choice to and from a Samsung authorized service center. Otherwise, transportation to and from the Samsung authorized service center is the responsibility of the purchaser.

This limited warranty covers manufacturing defects in materials and workmanship encountered in normal, noncommercial use of this product, and shall not apply to the following, including, but not limited to: damage which occurs in shipment; delivery and installation; applications and uses for which this product was not intended; altered product or serial numbers; cosmetic damage or exterior finish; accidents, abuse, neglect, fire, water, lightning or other acts of nature; use of products, equipment, systems, utilities, services, parts, supplies, accessories, applications, installations, repairs, external plumbing and leaks, external wiring, circuit breakers, fuses or connectors not supplied and authorized by Samsung, or which damage this product or result in service problems; incorrect electrical line voltage, fluctuations and surges; customer adjustments and failure to follow operating instructions, cleaning, maintenance and environmental instructions that are covered and prescribed in the instruction book; loss of food due to spoilage; consumable items including filters and light.

THERE ARE NO EXPRESS WARRANTIES OTHER THAN THOSE LISTED AND DESCRIBED ABOVE, AND NO WARRANTIES WHETHER EXPRESS OR IMPLIED, INCLUDING, BUT NOT LIMITED TO, ANY IMPLIED WARRANTIES OF MERCHANTABILITY OR FITNESS FOR A PARTICULAR PURPOSE, SHALL APPLY AFTER THE EXPRESS WARRANTY PERIODS STATED ABOVE, AND NO OTHER EXPRESS WARRANTY OR GUARANTY GIVEN BY ANY PERSON, FIRM OR CORPORATION WITH RESPECT TO THIS PRODUCT SHALL BE BINDING ON SAMSUNG. SAMSUNG SHALL NOT BE LIABLE FOR LOSS OF REVENUE OR PROFITS, FAILURE TO REALIZE SAVINGS OR OTHER BENEFITS, OR ANY OTHER SPECIAL, INCIDENTAL

Warranty

OR CONSEQUENTIAL DAMAGES CAUSED BY THE USE, MISUSE OR INABILITY TO USE THIS PRODUCT, REGARDLESS OF THE LEGAL THEORY ON WHICH THE CLAIM IS BASED, AND EVEN IF SAMSUNG HAS BEEN ADVISED OF THE POSSIBILITY OF SUCH DAMAGES. NOR SHALL RECOVERY OF ANY KIND AGAINST SAMSUNG BE GREATER IN AMOUNT THAN THE PURCHASE PRICE OF THE PRODUCT SOLD BY SAMSUNG AND CAUSING THE ALLEGED DAMAGE. WITHOUT LIMITING THE FOREGOING, PURCHASER ASSUMES ALL RISK AND LIABILITY FOR LOSS, DAMAGE OR INJURY TO PURCHASER AND PURCHASER'S PROPERTY AND TO OTHERS AND THEIR PROPERTY ARISING OUT OF THE USE, MISUSE OR INABILITY TO USE THIS PRODUCT SOLD BY SAMSUNG NOT CAUSED DIRECTLY BY THE NEGLIGENCE OF SAMSUNG. THIS LIMITED WARRANTY SHALL NOT EXTEND TO ANYONE OTHER THAN THE ORIGINAL PURCHASER OF THIS PRODUCT, IS NONTRANSFERABLE AND STATES YOUR EXCLUSIVE REMEDY.

Some states do not allow limitations on how long an implied warranty lasts, or the exclusion or limitation of incidental or consequential damages, so the above limitations or exclusions may not apply to you. This warranty gives you specific legal rights, and you may also have other rights, which vary from state to state.

To obtain warranty service, please contact Samsung at:

SAMSUNG CUSTOMER CARE CENTER

Samsung Electronics America, Inc. 85 Challenger Road Ridgefield Park, NJ 07660
1-800-SAMSUNG (1-800-726-7864) and www.samsung.com



QUESTIONS OR COMMENTS?

COUNTRY	CALL	OR VISIT US ONLINE AT	WRITE
U.S	800-SAMSUNG (800-726-7864)	www.samsung.com	Samsung Electronics America, Inc. 85 Challenger Road Ridgefield Park, NJ 07660
CANADA	800-SAMSUNG (800-726-7864)	www.samsung.com/ca	Samsung Electronics Canada Inc. Customer Service, 55 Standish Court Mississauga, Ontario L5R 4B2 Canada

 In an effort to promote recycling this user manual is printed on recycled paper.