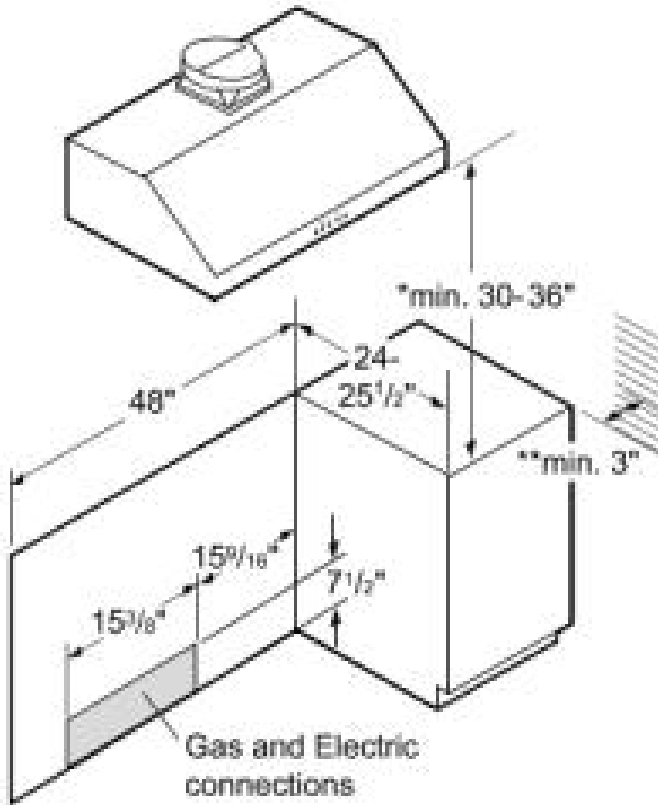


Our 48-inch Pro Grand Range gives you six patented Star® Burners (2 with ExtraLow® feature), 8.2 cubic feet of combined oven capacity, an electric griddle, and highly efficient all-gas operation. This model also features a porcelain cooking surface and Ful





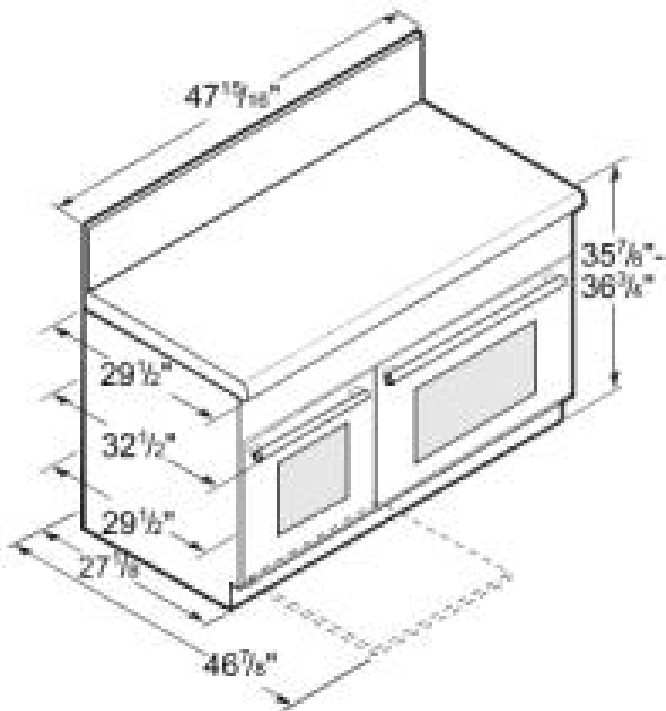
\* 30" minimum clearance above cooking surface to non-combustible surface. Minimum clearance above cooking surface to combustible surface is 36".

\*\* 3" minimum clearance from cooking surface to combustible side wall

Note: Most hoods contain combustible components that must be considered when planning the installation.

measurement in inches

Technical Specifications	
Amps (A)	20
Frequency (Hz)	60
Gas type	Natural gas 15 mbar (USA)
Alternative gas type	Liquid gas 27,5 mbar (USA)
Approval certificates	CSA
Plug type	120V-3 prong
Net weight (lbs)	512
Gross weight (lbs)	568
Adjustable height (in)	7/8"
Product Features	
Type of grate	Cast iron
Number of double grates	3
Knob material	Full metal
Included accessories	1 x Broiler pan small, 1 x Broiler pan
Location of 1st heating element	front left
Power of 1st heating element (W)	4.39
Power of 1st burner (BTU)	15000
Location of 2nd heating element	back left
Power of 2nd heating element (W)	4.39
Power of 2nd burner (BTU)	15000
Location of 4th heating element	back right
Power of 4th heating element (W)	4.39
Power of 4th burner (BTU)	15000
Location of 5th heating element	front right
Power of 5th heating element (W)	4.39
Power of 5th burner (BTU)	15000
Power of griddle element	1630
Optional accessories	HS48R, IT48R, KNOBBLKG, KNOBBLUG, LB48R, PA12GCVRHC, PA12GTRG, PA36GTRG, PAGRIDDLE, PC12CHPBLK, PC12GRILL, PC24CHPBLK, PROWOKRING



measurement in inches