

BDIUSA.COM

CUSTOMERSERVICE@BDIUSA.COM

Placement and Maintenance

Sequel™ Home Office Furniture is designed for indoor use on level floors. Clean glass with glass cleaner, and steel parts and wood veneer with a moist cloth. Your Sequel™ Home Office Furniture is engineered for easy assembly. Carefully follow this procedure to prevent any damage.

Do not use power tools for assembly of this product.



Step 1

Unpack and identify the parts listed below. The assembly workspace should be a non-marring surface such as carpet. For missing hardware pieces, please contact BDI Customer Service at customerservice@bdiusa.com. For all other concerns, please contact your BDI Retailer.

Component List

N - Upper Horizontal Beam x 1

B - Top Glass x 1

L - Right Leg x 1

C - Back Panel x 1

A - Drawer Assembly x 1

E - Lower Horizontal Beam x 1

K - Left Leg x 1

D - Front Kick Panel x 1



F - 4mm Hex Wrench x 1



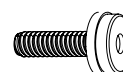
G - 1/4-20 x 2 3/8" Screw x 7



I - Adhesive Foam/Magnet x 4
Pre-installed on **Upper Horizontal Beam (N)**



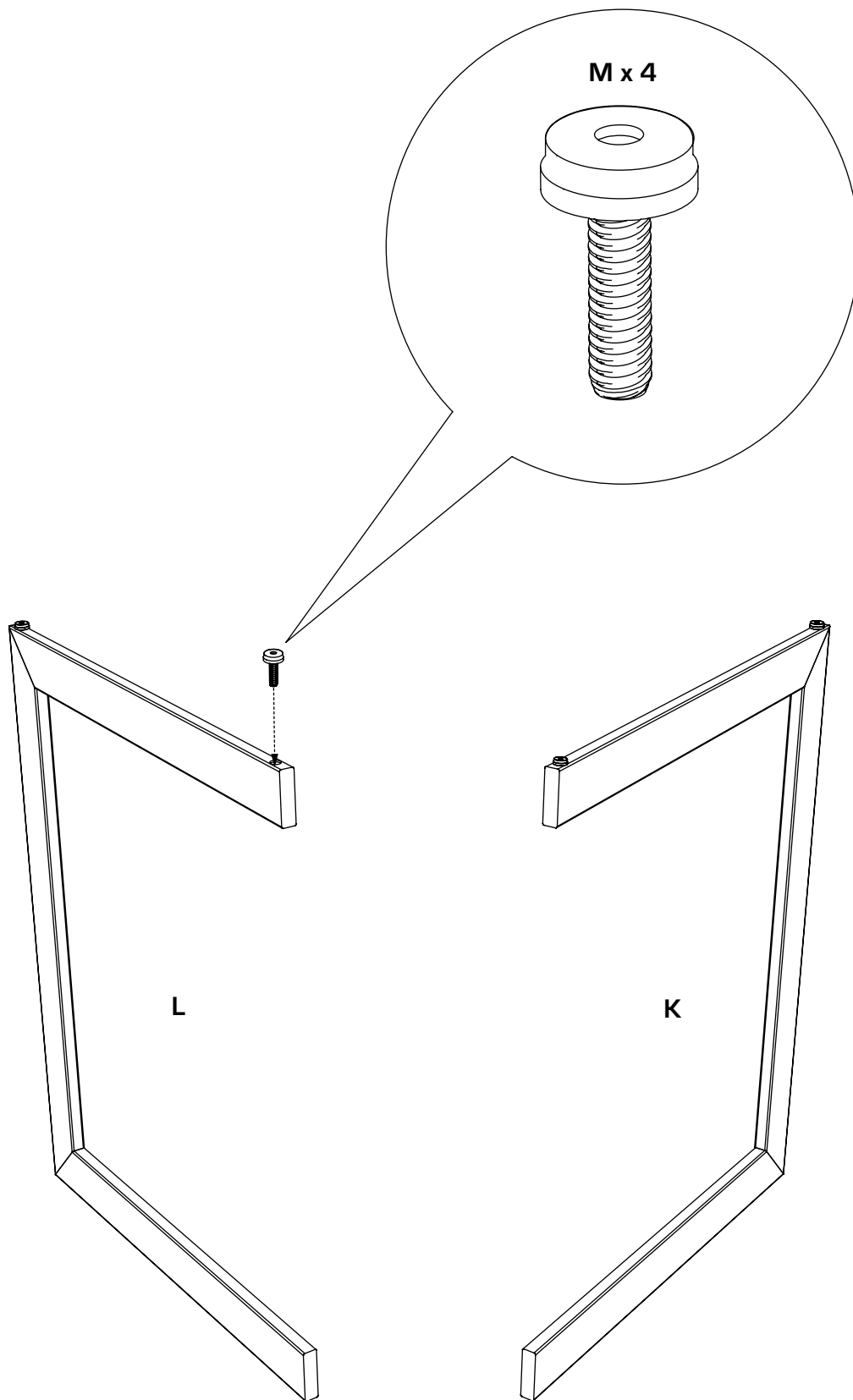
H - 1/4-20 x 1/2" Screw x 16



M - Glides x 4

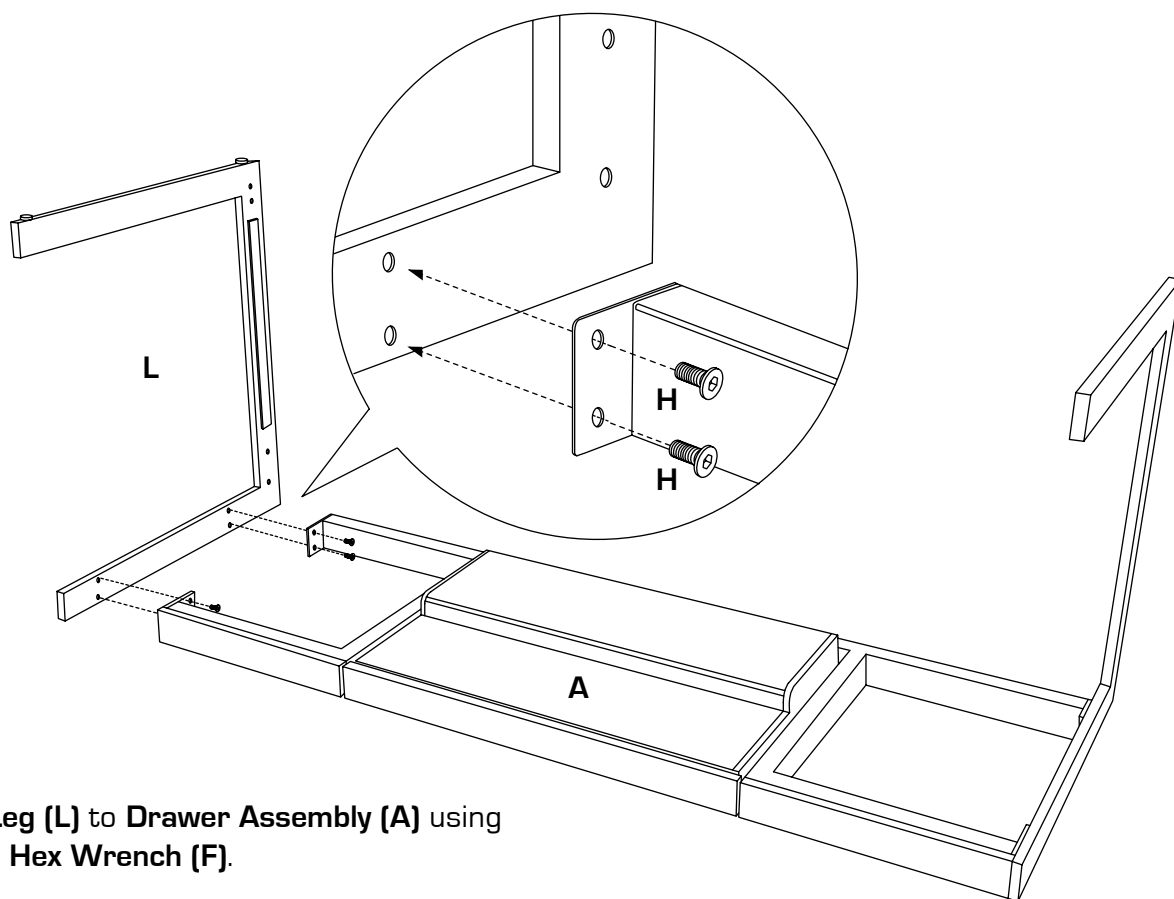
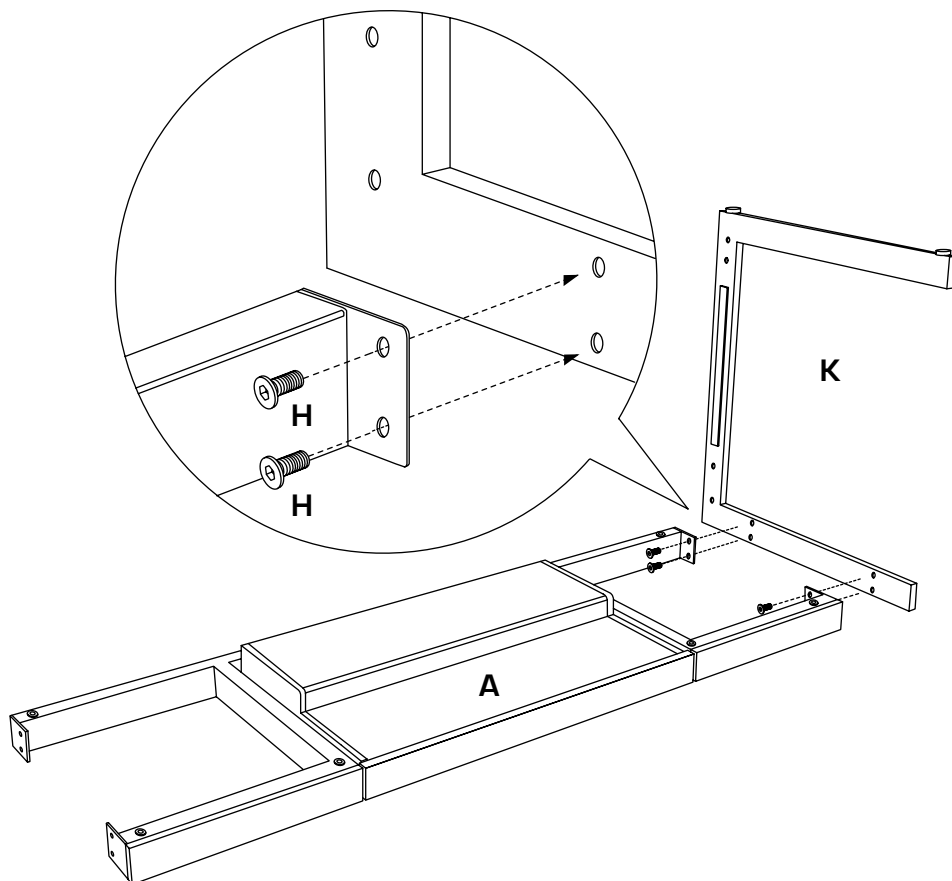
Step 1

Install **Glides (M)** to the bottom of **Left Leg (K)** and **Right Leg (L)**.



Step 2

Attach **Left Leg (K)** to **Drawer Assembly (A)** using **Screw (H)** and **Hex Wrench (F)**.

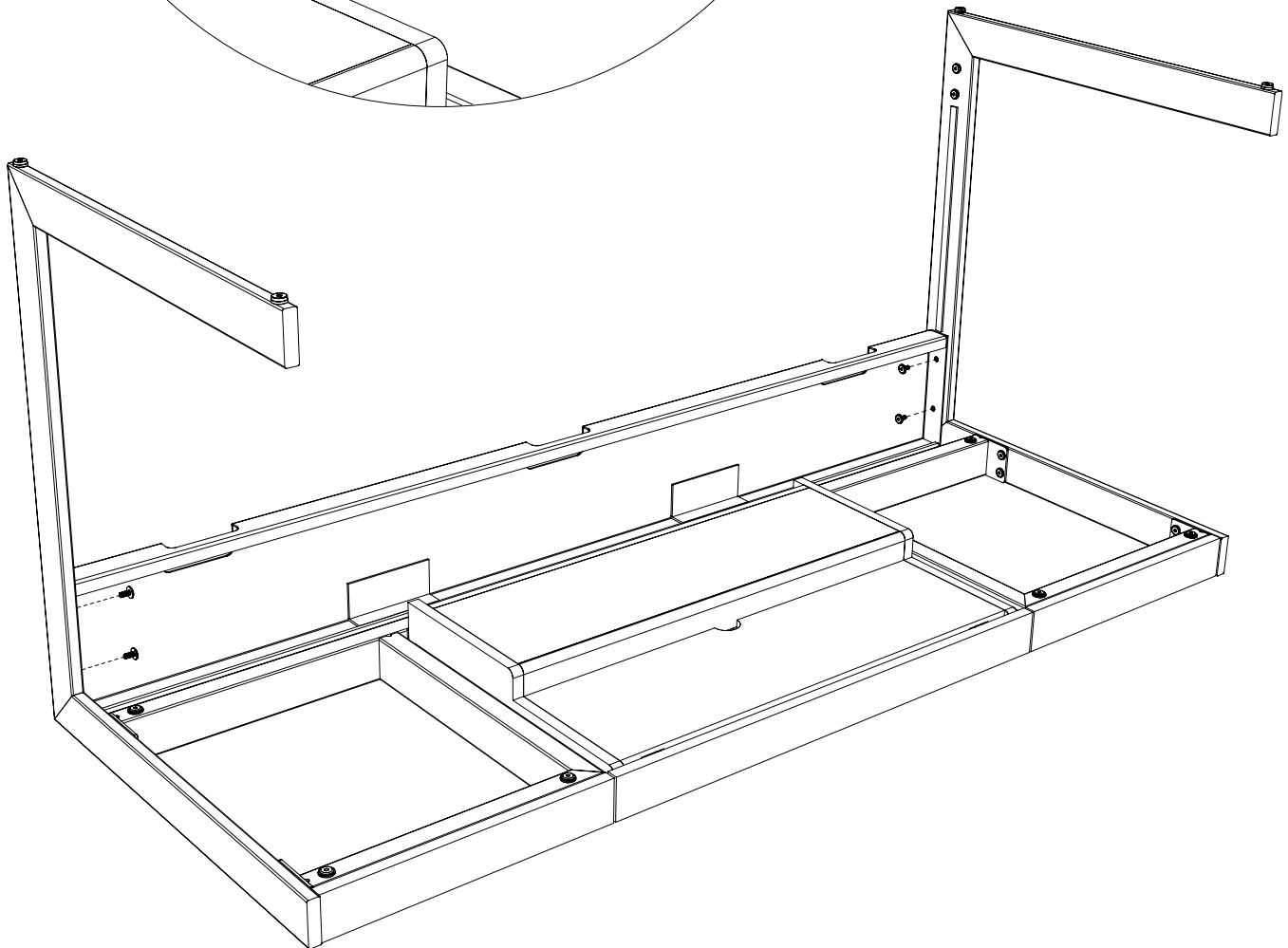
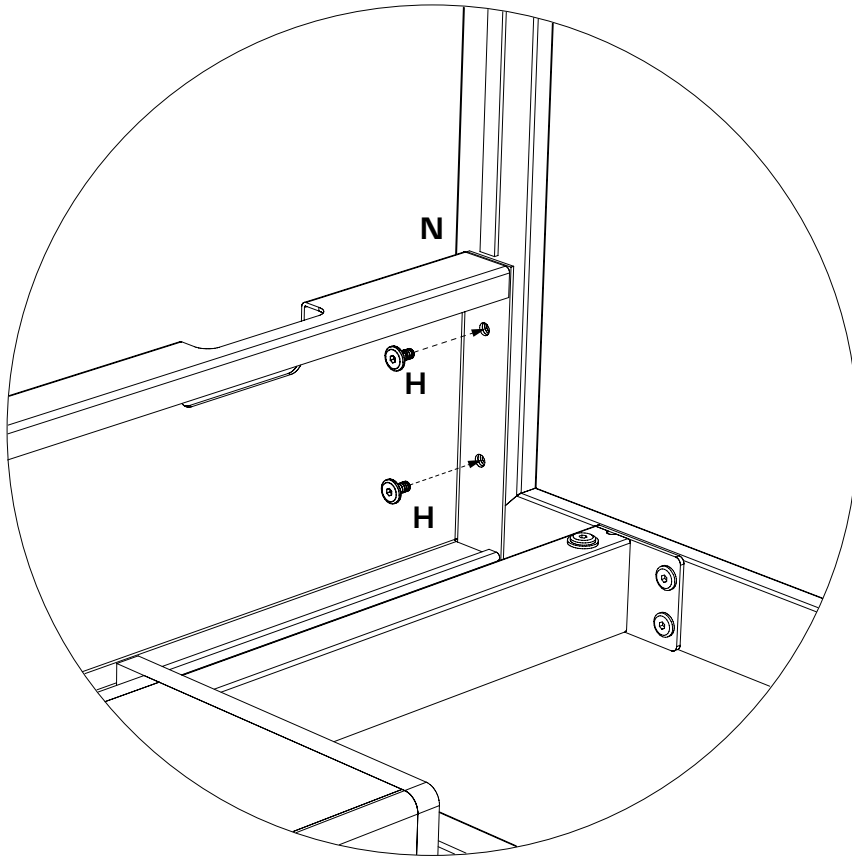


Step 3

Attach **Right Leg (L)** to **Drawer Assembly (A)** using **Screw (H)** and **Hex Wrench (F)**.

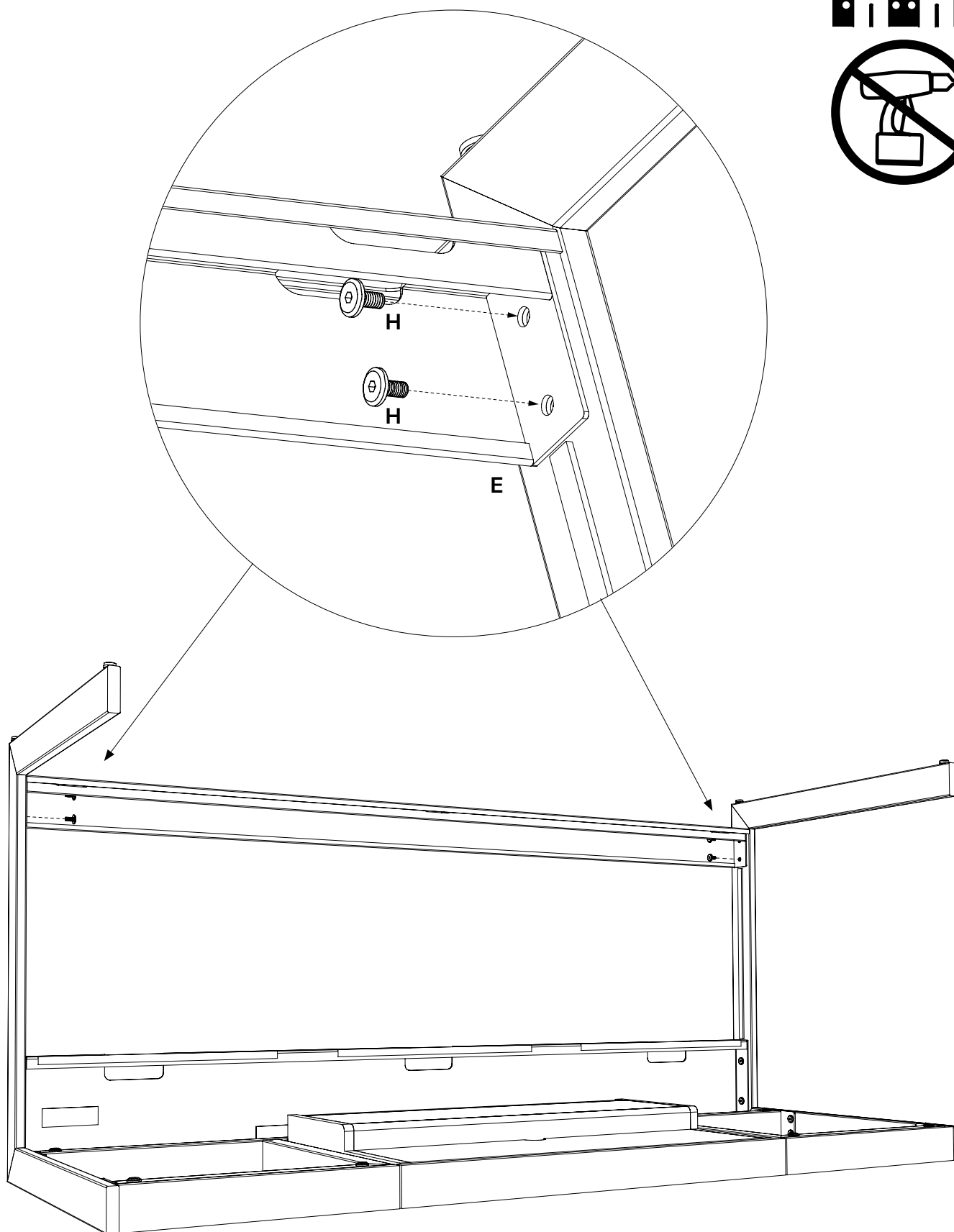
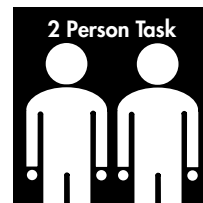
Step 4

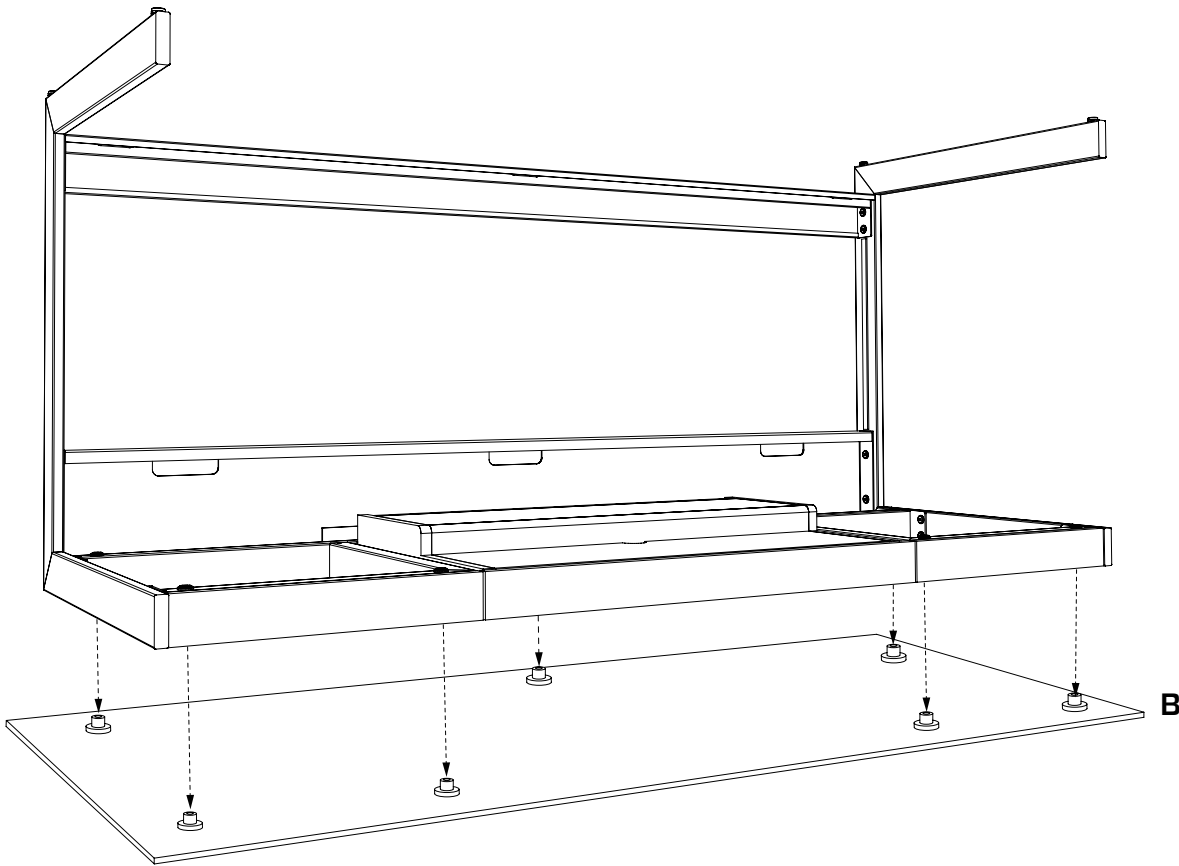
Attach **Upper Horizontal Beam (N)** to inside of Left and Right Leg using **Screw (H)** and **Hex Wrench (F)**.



Step 5

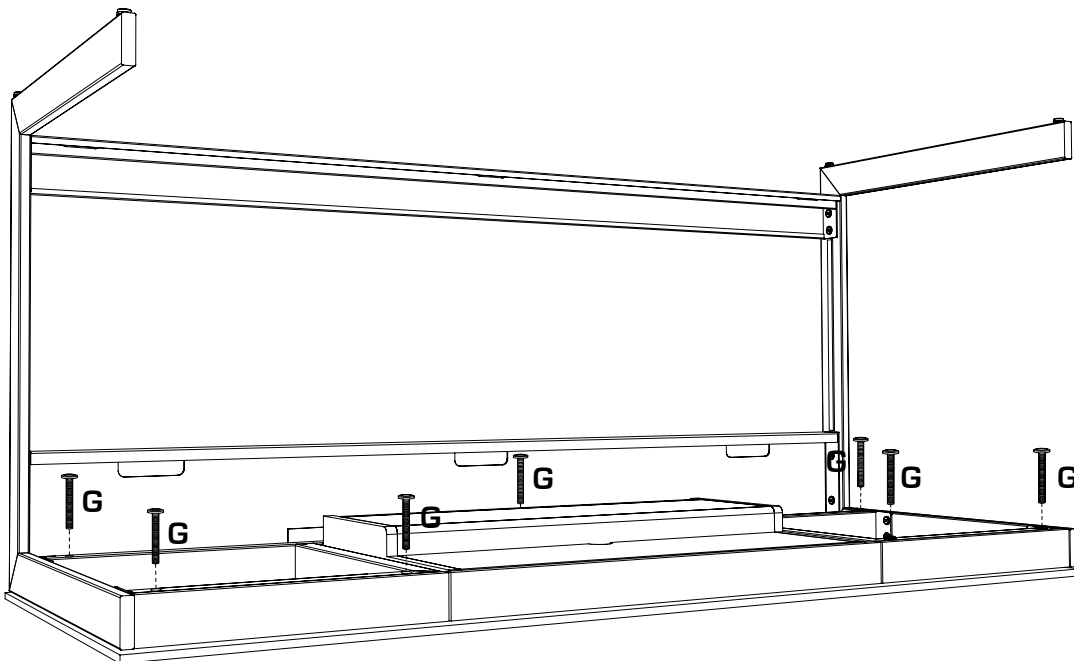
Attach **Lower Horizontal Beam (E)** to inside of Left and Right Leg using **Screw (H)** and **Hex Wrench (F)**.





Step 6

With the help of another person, gently lower Assembly onto **Top Glass (B)**. Both parts will be placed upside down for the assembly process and fasten into place using **Screw (G)** and **Hex Wrench (F)** at all **(7)** fastener locations. **DO NOT OVERTIGHTEN!** With the help of another person, turn desk upright onto its base.



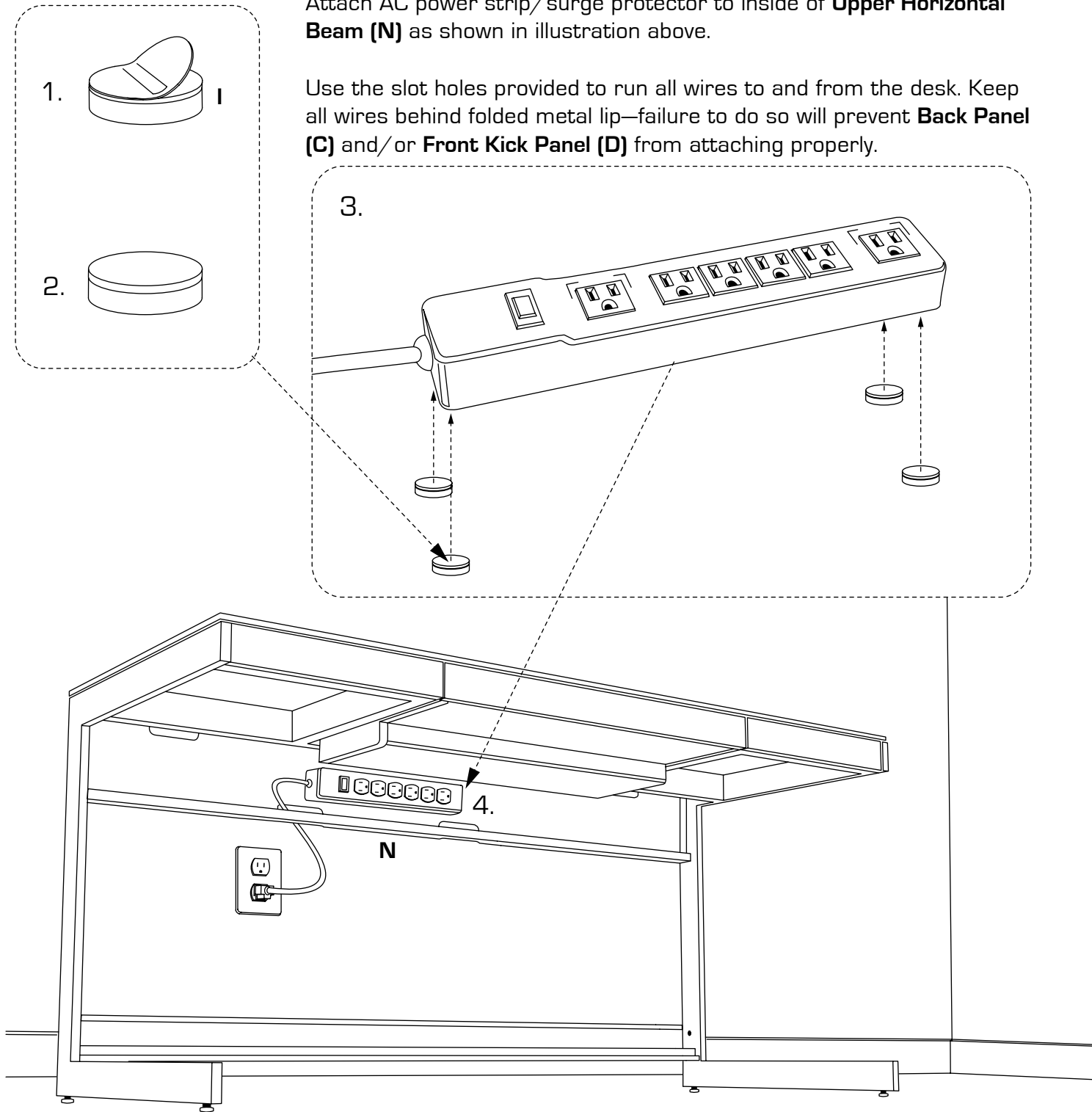
Step 7 (optional)

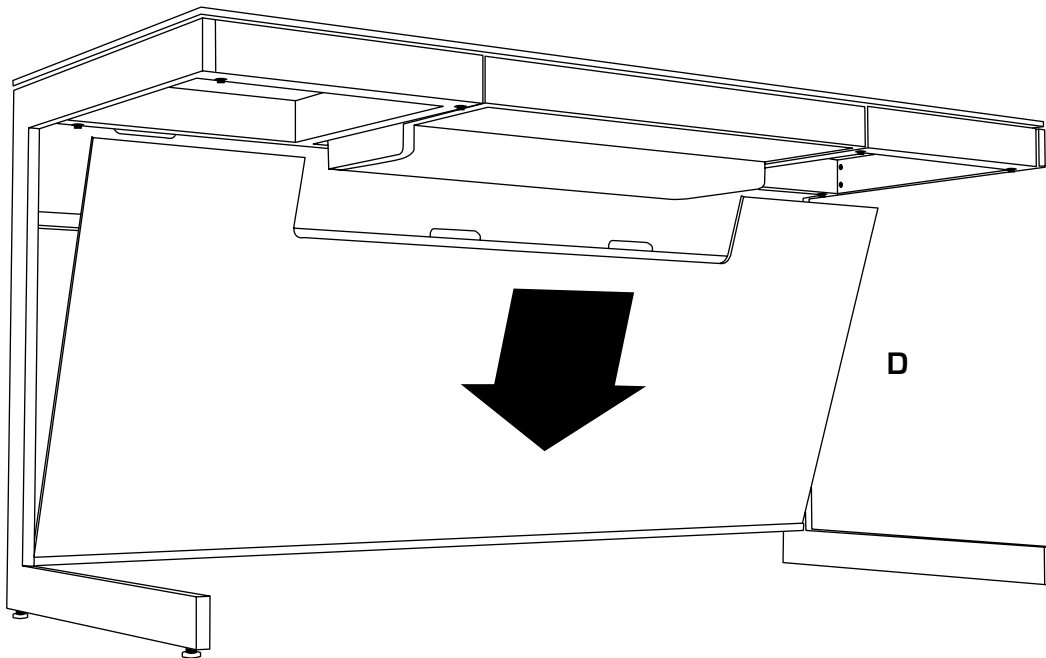
Attach Magnets to AC power strip/surge protector

Remove **Adhesive Foam/Magnets (I)** from the **Upper Horizontal Beam (N)**. Peel film from side of the **Adhesive Foam/Magnets (I)** and attach to clean, dry back side of AC power strip (not included). **Cleaning of power strip surface with rubbing alcohol will ensure best adhesive bond. **UNPLUG POWER STRIP FROM POWER SOURCE BEFORE CLEANING****

Attach AC power strip/surge protector to inside of **Upper Horizontal Beam (N)** as shown in illustration above.

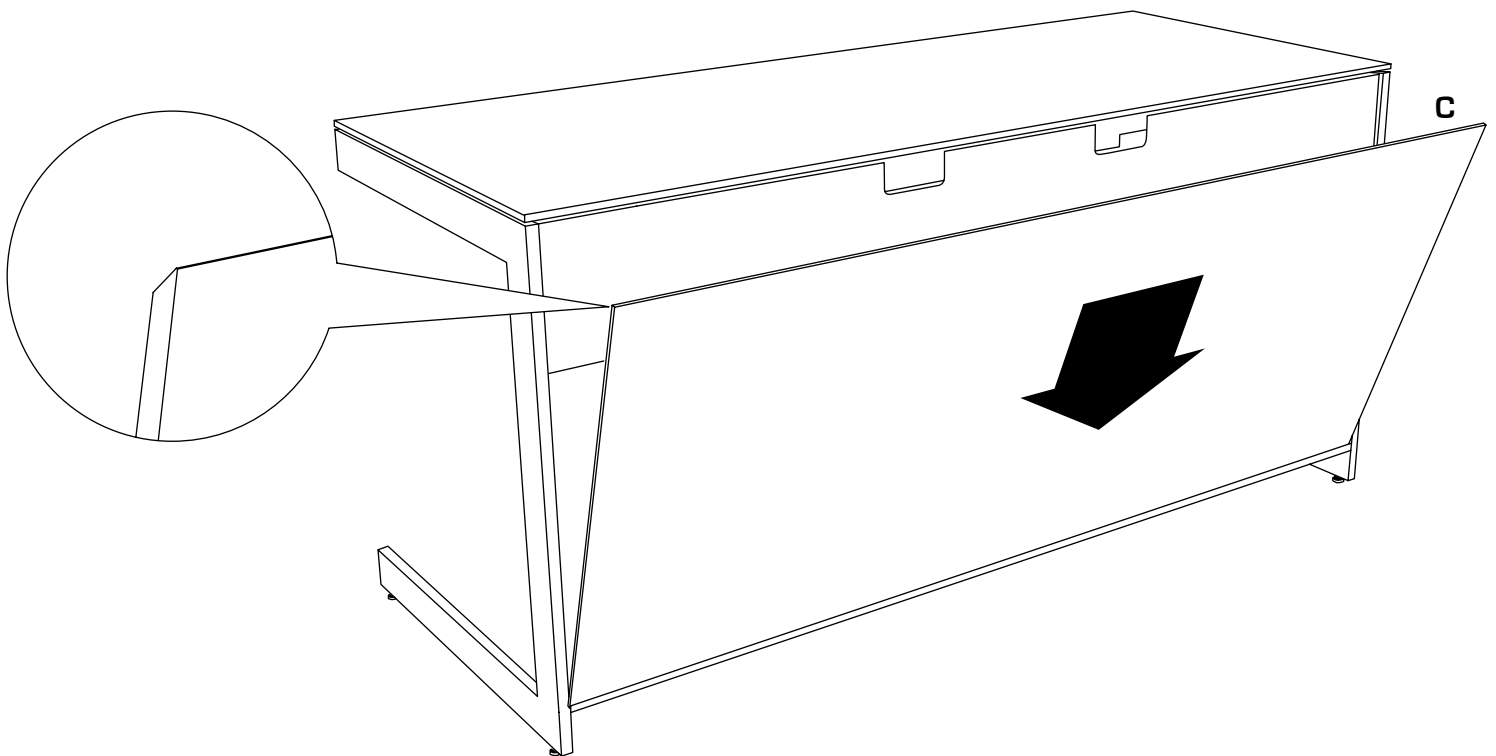
Use the slot holes provided to run all wires to and from the desk. Keep all wires behind folded metal lip—failure to do so will prevent **Back Panel (C)** and/or **Front Kick Panel (D)** from attaching properly.





Step 11

Place Sequel Desk in desired location. Once all of the electrical wires are routed, install **Kick Panel (D)** as shown above. The rear side of panel has magnets that will hold the panel in place. **Note:** The Sequel Desk is designed to permit placement in front of an electrical outlet for easier wiring access.



Optional Step

The **Back Panel (C)** is provided to conceal wire management, if desk is located in the middle of a room,.