



# Side-by-Side Refrigerators

FGHS2332L P/E

23 Cu. Ft. Standard-Depth



## Product Dimensions

Height (Including Hinges & Rollers)	69-3/8"
Width	33"
Depth (Including Door)	33"

## More Easy-To-Use Features

**EnergySaver™ Plus Technology<sup>1</sup>**  
Our refrigerator will automatically go into an energy-saving mode if not opened for 24 hours.

**Quiet Pack**

**Cool Zone™ Drawer**

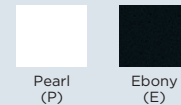
**Gallon Door Storage**

**Full Freezer Basket**

ENERGY STAR®  
Sabbath Mode (Star-K® Certified)



Available in:



*If this refrigerator door is not opened for 24 hours AND the refrigerator system is set to the 12-hour defrost cycle, then the system automatically goes to a 96-hour compressor run time defrost cycle to conserve electricity.*

## Signature Features



### SpaceWise™ Organization System

Our SpaceWise™ organization system makes it easy to keep food organized and easy to find when you need it.



### SpillSafe® Shelves

Designed to keep spills contained, making cleanup a breeze.



### Express-Select™ Controls

Easily select options with the touch of a button.

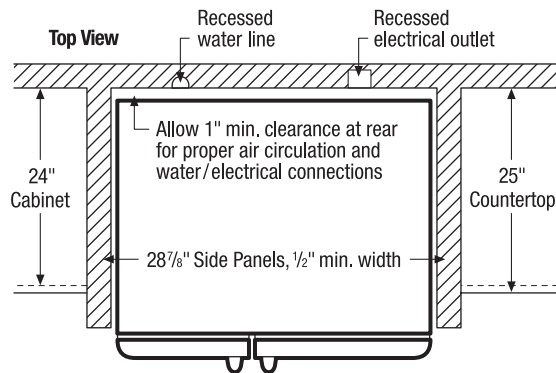
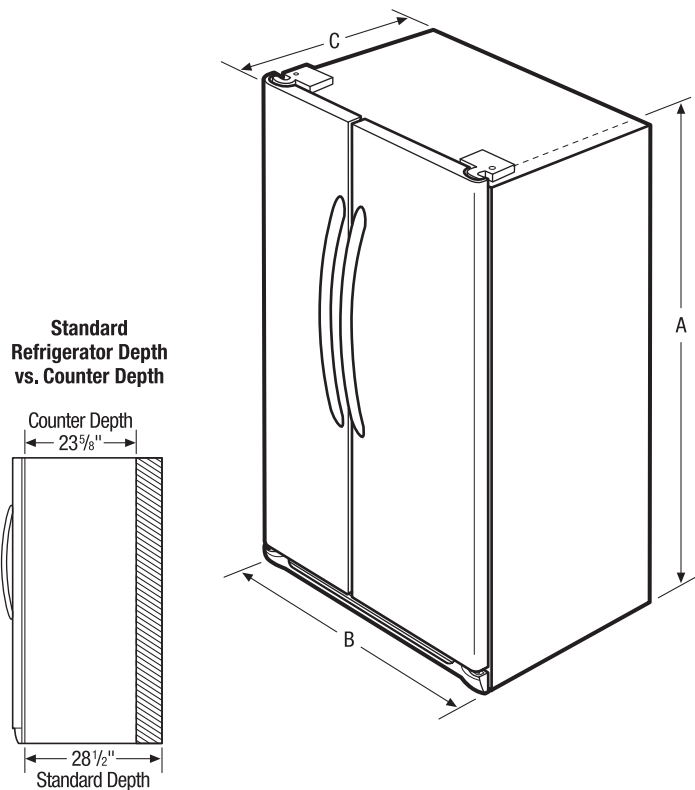


### PureSource 3® Ice & Water Filtration

Offers cleaner, better-tasting water and ice at your fingertips.

Features	
Door Design	Soft-Arc
Door Handle Design	Color-Coordinated
Cabinet Finish	Color-Coordinated
Door Stops/Door Closers	Yes/Yes
Door Hinge Covers	Hidden
Rollers - Front/Rear	Adjustable/Yes
EnergySaver™ Plus Technology	Yes
Water Filter Location	Top Front
Sound Package	Quiet Pack
Dispenser	
Controls	Express-Select™
Dispenser Design	Tall, Two Paddle
Number of Dispenser Buttons	5
Crushed Ice/Cube Ice/Chilled Water	Yes/Yes/Yes
Ice Option	
Freeze Option	
Display On/Off Option	
Lock/Light	Yes/Yes
Temp/Door Ajar/Power Failure Alerts	
Water Filter Change Indicator Light	Yes
Air Filter Change Indicator Light	
Refrigerator Features	
Interior Lighting	Standard
Water Filter Type	PureSource 3*
Air Filter Type	
Fixed Shelves	2 SpillSafe®
Sliding Shelves	1 SpillSafe®
Cool Zone™ Drawer	1 Clear Hanging
Wine/Can Rack	
Upper Crisper/Lower Crisper	1 Clear/1 Clear
Humidity Controls	2
Dairy Compartment	1 Clear
Fixed Door Bins	2 Two-Liter Clear
Adjustable Door Bins	2 One-Gallon Clear
Non-Slip Bin Liner/Bottle Retainers	
Condiment Bin	
Freezer Features	
Door Bins/Tilt-Out Wire Door Bins	4 White/No
Fixed Shelves	1 Flip-Out /2 Wire
Full Extension Baskets	
Full Freezer Baskets	
Half Freezer Baskets	1 Plastic
Ice Cream Shelf/Pizza Shelf	
SpaceSaver™ Shelf	
Lighting	Yes
Certifications	
ENERGY STAR®	Yes
Sabbath Mode (Star-K® Certified)	Yes
Specifications	
Total Capacity (Cu. Ft.)	22.6
Refrigerator Capacity (Cu. Ft.)	14.2
Freezer Capacity (Cu. Ft.)	8.3
Power Supply Connection Location	Right Bottom Rear
Water Inlet Connection Location	Left Bottom Rear
Voltage Rating	120V/60Hz/15 or 20A
Connected Load (kW Rating) @ 120 Volts¹	1.02
Amps @ 120 Volts	8.5
Minimum Circuit Required (Amps)	15
Shipping Weight (Approx.)	285 Lbs.

¹For use on adequately wired 120V, dedicated circuit having 2-wire service with a separate ground wire. Appliance must be grounded for safe operation.



NOTE: For planning purposes only. Always consult local and national electric and plumbing codes. Refer to Product Installation Guide for detailed installation instructions on the web at [frigidaire.com](http://frigidaire.com).



Overall Exterior Dimensions	
A - Height (Incl. Hinges and Rollers)	69-3/8"
B - Width	33"
C - Depth (Incl. Door)	33"
Depth with Door Open 90°	49-7/8"

Accessories information available on the web at [frigidaire.com](http://frigidaire.com)

## FRIGIDAIRE

USA • 10200 David Taylor Drive • Charlotte, NC 28262 • 1-800-FRIGIDAIRE • [frigidaire.com](http://frigidaire.com)  
 CANADA • 5855 Terry Fox Way • Mississauga, ON L5V 3E4 • 1-800-265-8352 • [frigidaire.ca](http://frigidaire.ca)

FGHS2332L 08/10

© 2010 Electrolux Home Products, Inc.

Specifications subject to change.  
 Printed in the U.S.A.