

Washer Tech Data Sheet

This information is intended for Qualified Technicians Only.

CAUTION: DISCONNECT ELECTRICAL CURRENT BEFORE SERVICING

Please Return This Sheet to its Envelope in the Product for Future Reference

Contents	Page
Error code explanation.....	1
Diagnostics.....	1
Error Code Chart.....	2
Tests.....	3-4
Français.....	5-8
Español.....	9-14
6000 Wiring Diagram.....	15
7000 Wiring Diagram.....	16

READING ERROR CODES:

1. Wake the washer by pressing any button.
2. Wait 5 seconds.

3. Press and **HOLD** the **Start/Pause** and **Cancel** buttons simultaneously.

As long as the buttons are held, the failure code will appear in the display as an **E** followed by two numbers, a number and a letter or two letters. The control will beep and the **Door Lock, Wash, Rinse, and Final Spin** indicator lights will flash.

Troubleshoot the problem by using charts on the pages 3-5.

Quick Check

If there is no error displayed and the washer momentarily starts then turns back off:

1. Listen for a relay closure inside the motor control shortly after the **Start/Pause** key is pressed. If this happens, the motor control has power.
2. Check the 5 pin connector wiring between the console control and the motor control.

NOTE: During normal operation, the display may show:

- “**cd**” - cool down (Sanitary cycle)
- “**do**” or “**dr**” - door problem.
- “**Err**” - an error has been detected.
- “**LOC**” - control lock is activated.
- “**PAU**” - cycle has been interrupted.

To clear latest stored error code:

- Turn the **Program Knob** to the start position, **Spin Only**.
- Press **Start/Pause** to start the cycle and save it.
- Press **Cancel** to stop the cycle and turn off the LEDs.
- Press **Cancel** again to turn on the LEDs.
- Within 5 seconds, press and hold the **Option** and **Start/Pause** buttons until LEDs start sequentially chasing, then release buttons.
- Turn the program knob clockwise 7 clicks from the Start Position. The control will signal the last error code.
- Press and hold the **Options** and **Start/Pause** buttons for 3 seconds. The code will be cleared.
- Exit Diagnostic Mode to return the washer to normal operation.
 - a) Unplug the power cord, wait 5-8 seconds, then reconnect the power cord **OR**
 - b) Turn the program knob clockwise 2 or 3 clicks after the Start Position. Press **Options** and **Start/Pause** buttons together for a few seconds until wash cycle LEDs appear.

Diagnostic Test

The diagnostic test is used to check individual component function only.

TO START THE TEST:

- Turn the **Program Knob** to the start position, **Spin Only**.
- Press **Start/Pause** to start the cycle and save it.
- Press **Cancel** to stop the cycle and turn off the LEDs.
- Press **Cancel** again to turn on the LEDs.
- Within 5 seconds, press and hold the **Options** and **Start/Pause** buttons until LEDs start sequentially chasing, then release buttons.
 1. All the LEDs will sequentially light. Pressing a button below a light cluster will light all the LEDs in that cluster at one time to confirm functionality.
 2. Turn the program knob (1) click clockwise from the start position. The hot water solenoid will activate and hot water should enter through the detergent compartment.
 3. Turn the program knob (2) clicks from the start position. The bleach water solenoid will activate and cold water should enter through the bleach compartment.
 4. Turn the program knob (3) clicks from the start position. The bleach and the wash water solenoids will activate and cold water should enter through the softener compartment.
 5. Turn the program knob (4) clicks from the start position. The door lock solenoid will deactivate and the loading door can be opened. When the door is opened, the drum light should turn on.
 6. Turn the program knob (5) clicks from the start position. The washer will fill and tumble. Once tumbling has started, the Boost Heater (if so equipped) will turn on.
 7. Turn the program knob (6) clicks from the start position. The drain pump & door lock solenoid will activate and the washer will operate in high spin. **SAFETY WARNING:** If power is removed during this test, the door can be opened. To prevent injury, **DO NOT** put your hands inside when the tub is rotating.
 8. Turn the program knob (7) clicks from the start position. The control will signal the last error code.

Exiting Diagnostic Mode

There are two options for exiting the Diagnostic Test mode and returning the washer to normal operation:

- a) Unplug the power cord, wait 5-8 seconds, then reconnect the power cord **OR**
- b) Turn the program knob clockwise 2 or 3 clicks after the start position. Press **Options** and **Start/Pause** buttons together for a few seconds until wash cycle LEDs appear.

If a situation arises where you cannot exit the Diagnostic mode as described above and the bank of 5 LED's on the right end remain ON regardless of Program Knob position, a combination of pushed buttons may have caused the control to enter a special factory test mode. Disconnect power to reset the control to return washer to normal operation if this occurs.

Error code chart		
Error code	Fault condition	Check
E11	Fill time too long.	Refer to test (1).
E13	Water leak in tub or air leak in air bell.	Refer to test (2).
E21	Water not pumping out fast enough.	Refer to test (3).
E23	Drain pump relay on control board failed, wire off pump or pump defective.	Replace console control board, wire or pump.
E24	Drain pump relay on control board failed.	Replace console control board.
E31	Pressure sensor not communicating with control board.	Refer to test (4).
E35	Pressure sensor indicates water overflow.	Refer to test (5).
E36	Console control board problem.	Replace console control board.
E38	Air chamber clogged or pressure sensor defective.	Check air chamber, rpl press. sensor.
E41	Control board thinks the door switch is open.	Refer to test (6).
E43	Console control board thinks the door locking device has failed.	Refer to test (7).
E44	Console control board problem.	Replace console control board.
E45	Console control board problem.	Replace console control board.
E46	Console control board problem.	Replace console control board.
E47	Console control board thinks the door PTC circuit is open in spin.	Refer to test (7).
E48	Console control board thinks the door PTC circuit is closed.	Refer to test (7).
E52	Bad signal from tacho generator.	Refer to test (8).
E56	High motor current.	Refer to test (9).
E57	High current on inverter.	Refer to test (9).
E58	High current on motor phase.	Refer to test (9).
E59	No tacho signal for 3 seconds.	Refer to test (10).
E5A	High temperature on heat sink caused by overloading.	Test first-if bad-rpl speed control brd.
E5B	High temperature on heat sink.	Replace speed control board.
E5C	High temperature on heat sink.	Replace speed control board.
E5D	Communication problem.	Refer to test (11).
E5E	Communication problem.	Refer to test (11).
E5F	Communication problem.	Refer to test (11).
E66	Heating element relay failure.	Refer to test (14).
E67	Input voltage on microprocessor incorrect.	Refer to test (15).
E68	Current leakage to ground on heater or fuse opened.	Refer to test (14 & 15).
E71	Wash NTC failure.	Refer to test (15).
E74	Wash temperature does not increase.	Wire off NTC - rpl water valve.
E75	Water temperature sensor circuit.	Refer to test (12).
E82	Console control board problem.	Replace console control board.
E83	Console control board problem.	Replace console control board.
E91	Comunnication error between UI board and console control board.	Refer to test (16).
E93	Console control board problem.	Replace console control board.
E94	Console control board problem.	Replace console control board.
E95	Communication error.	Replace console control board.
E97	Console control board problem.	Replace console control board.
E98	Console control board problem.	Replace console control board.
EB1	Incoming power frequency out of limits.	Refer to test (13).
EB2	Incoming line voltage above 130 VAC.	Check voltage at outlet. If < 130VAC, replace the console control board.
EB3	Incoming line voltage below 90 VAC.	Check voltage at outlet. If > 90VAC, replace the console control board.
EBE	Console control board problem.	Replace console control board.
EBF	Console control board problem.	Replace console control board.
EF1	Clogged drain pump.	Unclog the drain pump.
EF2	Too much soap.	Advise customer to reduce the amount of soap they are using.

Test		
Test	Check	Correction
Test 1:	1. Is the incoming water flow normal?	Yes. Go to step (4). No. Go to step (2)
	2. Are the incoming water faucets turned	No. Turn water faucets on. Yes. Go to step (3).
	3. Is the incoming water pressure above (30) psi.	No. Have customer correct pressure problem. Yes. Check for kinked or blocked incoming water hoses, clean the incoming water screens. If problem still remains, replace the water inlet valve assembly.
	4. Does the fill water continue to enter the washer?	Yes. Go to step (5). No. Go to step (6)
	5. Remove power from the washer. Did the water fill stop?	Yes. Go to step (6) No. Replace the inlet valve assembly.
	6. Check the pressure sensor.	Pressure sensor checks good. Go to step (7). Pressure sensor checks bad. Replace pressure sensor.
	7. Replace the control board.	
Test 2:	1. Is the washer leaking water?	Yes. Correct water leak. No. Go to step (2)
	2. Is there an air leak in the air bell system?	Yes. Correct the air leak problem. No. Go to step (3)
	3. Check the pressure sensor.	Defective. Replace the pressure sensor. Good. Go to step (4)
	4. Replace the control board.	
Test 3:	1. Check the drain hose for restrictions.	Restriction. Correct problem. No restriction. Go to step (2).
	2. Start the washer and check for 120 VAC at the drain pump.	Zero. Replace the control board. 120 VAC. Remove the pump and check for blockage. If blocked, remove the restriction, if not, replace the pump.
Test 4:	Inspect the wiring between the pressure sensor and the control board.	Defective wiring. Correct wiring. Good wiring. Replace the pressure sensor. If this does not correct the problem, replace the control board.
Test 5:	1. Is the water level above 4.5 inches?	Yes. Go to step (2). No. Go to step (4).
	2. Does water enter the washer continuously.	Yes. Go to step (3). No. Replace the control board.
	3. Remove power from washer. Does the water stop coming in?	No. Replace water valve assembly. Yes. Check wiring to valve assembly for shorts. If wiring is good, replace the control board.
	4. Replace the pressure sensor switch. Did this correct the problem?	Yes. Problem solved. No. Replace the control board.
Test 6:	1. Is the loading door closed?	No. Close the door. Yes. Go the step (2).
	2. In the J2 plug on the console control, measure voltage from the black wire to ground with power on.	0 volts. Check the door strike. If good, replace the door switch assembly. 120 volts. Replace the console control board.
Test 7:	1. Start the diagnostic test. Turn the program knob 8 clicks clockwise from the start position.	Washer spins. Defective door lock assembly. Washer does not spin. Defective control board.

Test		
Test	Check	Correction
Test 8:	1. Disconnect the plug from the drive motor and measure the resistance pins 4 & 5 in the motor.	If the reading is between 80 & 130 Ohms, replace the speed control board.
		If the meter reads other than between 80 & 130 Ohms, replace the motor.
Test 9:	1. Remove the belt from the motor and spin the motor pulley. Does the motor spin free?	No. Replace the motor. Yes. Go to step (3)
	2. Spin the tub pulley. Does the tub spin free?	No. Check the tub bearings. Yes. Go to step (3)
	3. Disconnect the plug from the motor and measure the resistance of the windings (pin 1 to pin 2, pin 1 to pin 3, pin 2 to pin 3). All readings should be between 4 and 6 Ohms.	If the readings are correct, replace the speed control board. If the readings are incorrect, replace the motor.
Test 10:	1. Remove the belt from the motor and spin the motor pulley. Does the motor spin free?	No. Replace the motor. Yes. Go to step (3)
	2. Spin the tub pulley. Does the tub spin free?	No. Check the tub bearings. Yes. Go to step (3)
	3. Disconnect the plug from the drive motor and measure the resistance between pins 4 & 5 in the motor.	If the meter reads other than between 80 & 130 Ohms, replace the motor. If the reading is between 80 & 130 Ohms, Go to step (4)
	4. Disconnect the plug from the motor and measure the resistance of the windings (pin 1 to pin 2, pin 1 to pin 3, pin 2 to pin 3). All readings should be between 4 and 6 Ohms.	If the readings are correct, replace the speed control board. If the readings are incorrect, replace the motor.
Test 11:	1. Communication problem. Check the wiring between the control board and the speed control board.	Wiring bad. Correct wiring problem. Wiring good. Replace the control board. If the problem is not corrected, replace the speed control board.
Test 12:	1. Check the resistance of the water valve NTC. Is it around 50K ohms?	No. Replace the water inlet valve assembly Yes. Replace the control board.
Test 13:	1. Have the power company check the frequency of the incoming power. If correct, replace the control board.	
Test 14:	1. Check the resistance of the heating element. It should be approximately 14 ohms.	If the readings are incorrect, replace the heating element.
	2. Check the resistance between ground and both heater terminals. It should be open when the heater terminals are disconnected.	
Test 15:	1. Check the resistance of the tub NTC. Is it around 4.8K ohms?	No, replace the heater assembly. Yes, check the wiring - if good, rpl console control board.
Test 16:	1. Check the wiring harness between the console control board & the interface board.	If defective, correct wiring problem. If the harness is good and none of the LEDs light, replace the interface board. If this does not correct the problem, replace the console control board. Note: If only one of the LEDs will not light, replace the interface board.

Feuille de données techniques de machine à laver

Ces renseignements ne s'adressent qu'à des techniciens qualifiés

ATTENTION : DÉBRANCHEZ L'ALIMENTATION ÉLECTRIQUE AVANT D'EFFECTUER TOUT ENTRETIEN

Remplacez cette feuille dans son enveloppe dans l'appareil pour référence ultérieure

Contenu	Page
Explication des codes d'erreur.....	5-6
Diagnostics.....	6
Tableau des codes d'erreur.....	7
Tests.....	8-9

LECTURE DES CODES D'ERREUR :

1. Activez la machine à laver en appuyant sur n'importe quel bouton.
2. Attendez 5 secondes.
3. Appuyez en même temps sur les boutons **Démarrer/pause (Start/Pause)** et **Annuler (Cancel)** et **TENEZ-LES ENFONCÉS**. Tant et aussi longtemps que vous appuyez sur les boutons, le code d'erreur s'affiche à l'écran par un **E** suivi de deux chiffres, d'un chiffre et d'une lettre ou de deux lettres. La commande **retentit et les voyants lumineux Door Lock, Wash, Rinse, et Final Spin** clignotent.

Vérifier la source du problème en utilisant les tableaux des pages 3 à 5.

Vérification rapide

Si une erreur s'affiche et que l'appareil démarre momentanément et s'arrête de nouveau :

1. Écoutez si un relais dans la commande du moteur ferme peu de temps après avoir appuyé sur la touche **Démarrer/pause (Start/Pause)**. Si c'est le cas, l'alimentation atteint la commande du moteur.
2. Vérifiez la connexion entre le connecteur à 5 branches de la commande de la console et de celle du moteur.

NOTA : Durant le fonctionnement normal, l'affichage peut indiquer :

- “**cd**” - refroidissement (cycle désinfection).
- “**do**” ou “**dr**” - problème de porte.
- “**Err**” - une erreur a été détectée.
- “**LOC**” - commande de verrouillage activée.
- “**PAU**” - cycle interrompu.

Pour annuler le dernier code d'erreur en mémoire :

- Tournez le **bouton de programme** à la position démarrer, **Essorage uniquement**.
- Appuyez sur **Démarrer/pause** pour démarrer le cycle et le sauvegarder.
- Appuyez sur **Annuler (Cancel)** pour arrêter le cycle et éteindre les voyants (LED)
- Appuyez sur **Annuler** de nouveau pour rallumer les voyants.
- Dans un délai de 5 secondes, appuyez sur les boutons **Option** et **Démarrer/pause** et tenez-les enfoncés jusqu'à ce que les voyants démarrent leur processus de recherche séquentielle, ensuite lâchez les boutons.
- Tournez le bouton de programme dans le sens des aiguilles d'une montre pour 7 clics à partir de la position démarrer. La commande signale le dernier code d'erreur.
- Appuyez sur les boutons **Options** et **Démarrer/pause** et tenez-les enfoncés durant 3 secondes. Le code d'erreur s'annule.
- Sortez du mode diagnostic pour retourner la machine à laver en mode de fonctionnement normal.
 - a) Débranchez le cordon d'alimentation, attendez 5 à 8 secondes, ensuite rebranchez le cordon d'alimentation **OU**
 - b) Tournez le bouton de programme dans le sens des aiguilles d'une montre 2 ou 3 clics après la position démarrer. Appuyez à la fois sur les boutons **Options** et **Démarrer/pause** durant quelques secondes jusqu'à ce que le voyant du cycle de lavage apparaisse dans l'afficheur.

Test de diagnostic

Le test de diagnostic sert à vérifier uniquement le fonctionnement de composant individuel.

POUR DÉMARRER LE TEST :

- Tournez le **bouton programme** à la position démarrer. **Essorage uniquement**.
- Appuyez sur **Démarrer/pause** pour démarrer le cycle et le sauvegarder.
- Appuyez sur **Annuler** pour arrêter le cycle et fermer les voyants.
- Appuyez sur **Annuler** de nouveau pour rallumer les voyants.
- Dans un délai de 5 secondes, appuyez sur les boutons **Option** et **Démarrer/pause** et tenez-les enfoncés jusqu'à ce que les voyants démarrent leur processus de recherche séquentielle, ensuite lâchez les boutons.

1. Tous les voyants s'allument en séquence. Le fait d'appuyer sur un bouton sous un faisceau de voyants allume tous les voyants du faisceau à la fois pour confirmer le fonctionnement.

2. Tournez le bouton de programme de 1 clic dans le sens des aiguilles d'une montre à partir de la position démarrer. Le solénoïde d'eau chaude démarre et l'eau chaude devrait entrer par le compartiment à détersif.

3. Tournez le bouton de programme de 2 clics à partir de la position démarrer. Le solénoïde d'agent de blanchiment s'active et l'eau froide devrait entrer par le compartiment d'agent de blanchiment.

4. Tournez le bouton de programme de 3 clics à partir de la position démarrer. Le solénoïde d'agent de blanchiment et d'eau de lavage s'active et l'eau froide devrait entrer par le compartiment d'adoucesseur.

5. Tournez le bouton de programme de 4 clics à partir de la position démarrer. Le solénoïde de verrouillage de porte se désactive et la porte de chargement peut être ouverte. Lorsque la porte est ouverte, la lumière du tambour devrait être allumée.

6. Tournez le bouton de programme de 5 clics à partir de la position démarrer. La machine à laver se remplit d'eau et culbute. Une fois le culbutage démarré, la chauffelette d'appoint (si l'appareil en est équipé) démarre.

7. Tournez le bouton de programme de 6 clics à partir de la position démarrer. Le solénoïde de la pompe de drainage et de verrouillage de porte s'active et la machine à laver fonctionne à vitesse d'essorage élevée.

AVERTISSEMENT DE SÉCURITÉ : Si l'alimentation est coupée durant ce test, la porte peut être ouverte. Pour prévenir les blessures, NE placez PAS les mains à l'intérieur lorsque le tambour tourne.

8. Tournez le bouton de programme de 7 clics à partir de la position démarrer. La commande signale le dernier code d'erreur.

Quitter le mode diagnostic

Il existe deux options pour quitter le mode test de diagnostic et retourner au fonctionnement normal de la machine à laver.

- a) Débranchez le cordon d'alimentation, attendez 5 à 8 secondes, ensuite rebranchez le cordon d'alimentation **OU**
- b) Tournez le bouton de programme de 2 ou 3 clics dans le sens des aiguilles d'une montre à partir de la position démarrer. Appuyez sur les boutons Options et Démarrer/pause en même temps durant quelques secondes jusqu'à ce que le voyant du cycle de lavage s'affiche.

Au cas où il est impossible de quitter le mode diagnostic tel que décrit plus haut et que le rang de 5 voyants à droite demeure allumé quelle que soit la position du bouton de programme, une combinaison de boutons poussoirs peut avoir entraîné la commande à entrer dans un mode spécial de test d'usine. Débranchez l'alimentation et remettez à zéro la commande pour remettre la machine à laver en fonctionnement normal dans un tel cas.

Tableau de code d'erreur

Code d'erreur	Défectuosité	Vérification
E11	Durée de remplissage trop longue	Référez au test (1)
E13	Eau fuyant dans le tambour ou air fuyant dans la soufflette	Référez au test (2)
E21	Eau pompée trop lentement	Référez au test (3)
E23	Relais de la pompe de vidange sur le tableau de commande fait défaut, fil détaché de la pompe ou pompe défectueuse.	Remplacer console tableau de commande, fil, ou pompe.
E24	Relais de pompe de drainage sur la carte de commande fait défaut ou pompe débranchée	Remplacer la carte de commande ou le câblage.
E31	Capteur de pression ne communique pas avec la carte de commande	Référez au test (4)
E35	Capteur de pression indique remplissage excessif d'eau	
E36	Problème de carte de commande	Référez au test (5)
E38	La chambre à air est obstruée ou le capteur de pression est défectueux.	Vérifiez la chambre à air ou remplacez le capteur de pression.
E41	Carte de commande fonctionne comme si l'interrupteur de porte est ouvert.	Référez au test (6)
E43	Le tableau de commande de la console croit que le dispositif de verrouillage de la porte est en panne.	Référez au test (7)
E44	Problème de carte de commande	Remplacer la carte de commande
E45	Problème de carte de commande	Remplacer la carte de commande
E46	Problème de carte de commande	Remplacer la carte de commande
E47	Carte de commande fonctionne comme si le circuit C.T.P. de la porte est ouvert en position essorage.	Référez au test (7)
E48	Carte de commande fonctionne comme si le circuit C.T.P. de la porte est fermé	Référez au test (7)
E52	Mauvais signal de la génératrice tachymétrique.	Référez au test (8)
E56	Courant du moteur élevé	Référez au test (9)
E57	Courant élevé du convertisseur	Référez au test (9)
E58	Courant élevé sur la phase du moteur	Référez au test (9)
E59	Aucun signal du générateur tachymétrique durant 3 secondes	Référez au test (10)
E5A	Température élevée du dispensateur thermique causée par une surcharge	Vérifier d'abord, en cas de non fonctionnement remplacer la carte de commande de vitesse
E5B	Température élevée du dispensateur thermique	Remplacer la carte de commande de vitesse
E5C	Température élevée du dispensateur thermique	Remplacer la carte de commande de vitesse
E5D	Problème de communication	Référez au test (11)
E5E	Problème de communication	Référez au test (11)
E5F	Problème de communication	Référez au test (11)
E66	Défectuosité du relais de l'élément chauffant	Référez au test (14)
E67	Tension d'alimentation du microprocesseur incorrecte.	Référez au test (15)
E68	Fuite de courant à la terre sur la chaufferette ou fusible ouvert.	Référez au test (14 & 15)
E71	Défectuosité de la thermistance CTN de lavage.	Référez au test (15)
E74	La température de lavage n'augmente pas.	Placer la thermistance CTN à la bonne position
E75	Circuit du capteur de température de l'eau.	Référez au test (12)
E82	Problème de console de commande	Remplacer la carte de commande
E83	Problème de console de commande	Remplacer la carte de commande
E91	Erreur de communication entre la carte informatique et le panneau de contrôle	Référez au test (16)
E93	Problème de console de commande	Remplacer la carte de commande
E94	Problème de console de commande	Remplacer la carte de commande
E95	Erreur de communication	Remplacer la carte de commande
E97	Problème de console de commande	Remplacer la carte de commande
E98	Problème de console de commande	Remplacer la carte de commande
EB1	Fréquence de l'entrée d'alimentation hors des limites	Référez au test (13)
EB2	Tension du circuit d'entrée supérieure à 130 V.C.A.	Vérifier le voltage dans la prise. Si au-dessous de 130 VAC, remplacer la carte de commande.
EB3	Tension du circuit d'entrée inférieure à 90 V.C.A.	Vérifier le voltage dans la prise. Si au-dessus de 90 VAC, remplacer la carte de commande.
EBE	Problème de console de commande	Remplacer la carte de commande
EBF	Problème de console de commande	Remplacer la carte de commande
EF1	Pompe de drainage obstruée	Débloquer la pompe de drainage
EF2	Trop de savon	Aviser le client de réduire la quantité de savon utilisée

Test

Test	Vérification	Correction
Test 1:	1. Est-ce que le flux d'entrée d'eau est normal ?	Oui. Passez à l'étape (4). Non. Passez à l'étape (2).
	2. Est-ce que les robinets d'entrée d'eau sont ouverts ?	Non. Ouvrez les robinets d'eau. Oui. Passez à l'étape (3)
	3. Est-ce que la pression d'entrée d'eau est supérieure à 30 psi ?	Non. Demandez au client de corriger le problème de pression d'eau. Oui. Vérifiez si le boyau d'alimentation est bloqué ou déformé, nettoyez les tamis d'alimentation d'eau. Si le problème persiste, remplacez le robinet d'entrée d'eau.
	4. Est-ce que l'eau de remplissage continue à entrer dans la machine à laver ?	Oui. Passez à l'étape (5) Non. Passez à l'étape (6)
	5. Débranchez l'alimentation de la machine à laver. Est-ce que le remplissage d'eau s'est arrêté ?	Oui. Passez à l'étape (6) Non. Remplacez le robinet d'entrée d'eau.
	6. Vérifiez l'interrupteur de pression.	La vérification de l'interrupteur de pression est positive, passez à l'étape (7). La vérification de l'interrupteur de pression est négative. Remplacez l'interrupteur de pression.
	7. Remplacez la carte de commande.	
Test 2:	1. Est-ce que de l'eau fuit de la machine à laver ?	Oui. Corrigez la fuite d'eau. Non. Passez à l'étape (2)
	2. Est-ce que l'air fuit dans le système de soufflette ?	Oui. Corrigez le problème de fuite d'air. Non. Passez à l'étape (3)
	3. Vérifiez l'interrupteur de pression.	Défectueux. Remplacez l'interrupteur de pression. Passez à l'étape (4)
	4. Remplacez la carte de commande.	
Test 3:	1. Vérifiez s'il existe une obstruction dans le boyau de drainage.	Obstruction. Corrigez le problème. Aucune obstruction. Passez à l'étape (2)
	2. Démarrez la machine à laver et vérifiez si la tension est de 120 V.C.A. à la pompe de drainage.	Zéro. Remplacez la carte de commande. 120 VCA. Démontez la pompe et vérifiez s'il existe un blocage. Si elle est bloquée, enlevez l'obstruction, dans le cas contraire, remplacez la pompe.
Test 4:	Vérifiez le câblage entre le capteur de pression et la carte de commande.	Câblage défectueux. Réparez le câblage. Bon câblage. Remplacez le capteur de pression. Si le problème persiste, remplacez la carte de commande.
Test 5:	1. Est-ce que le niveau d'eau excède 4,5 pouces ?	Oui. Passez à l'étape (2) Non. Passez à l'étape (4)
	2. Est-ce que l'eau entre continuellement dans la machine à laver ?	Oui. Passez à l'étape (3) Non. Remplacez la carte de commande.
	3. Débranchez l'alimentation de la machine à laver. Est-ce que l'eau cesse d'entrer ?	Non. Remplacez le robinet d'eau. Oui. Vérifiez s'il y a un court-circuit dans le câblage au robinet. Si le câblage est bon, remplacez la carte de commande.
	4. Remplacez l'interrupteur du capteur de pression. Est-ce que cela corrige le problème ?	Oui. Problème résolu. Non. Remplacez la carte de commande.

Test

Test	Vérification	Correction
Test 6:	1. Est-ce que la porte de chargement est fermée ?	Non. Fermez la porte. Oui. Passez à l'étape (2).
	2. À la prise J2 de la carte de commande, mesurez la tension du fil noir à la mise à la terre lorsque sous tension.	0 volts. Vérifiez la gâche de la porte. Si elle est bonne, remplacer l'interrupteur de la porte. 120 volts. Remplacez la carte de commande.
Test 7:	1. Commencez le test de diagnostic. Tournez le bouton de programmation de huit positions vers la droite à partir de la position de départ.	La laveuse essore. Le dispositif de verrouillage de la porte est défectueux. La laveuse n'essore pas. Le tableau de commande est défectueux.
Test 8:	1. Débranchez le raccord du moteur et mesurez la résistance des broches 4 et 5 du moteur.	Si la lecture est entre 80 et 130 Ohms, remplacez la carte de commande de vitesse. Si les lectures sont autres que entre 80 et 130 Ohms, remplacez le moteur.
Test 9:	1. Démontez la courroie du moteur et faites tourner la poulie du moteur. Est-ce que le moteur tourne librement?	Non. Remplacez le moteur. Oui. Passez à l'étape (3)
	2. Tournez la poulie du tambour. Est-ce que le tambour tourne librement ?	Non. Vérifiez les roulements du tambour. Oui. Passez à l'étape (3)
	3. Débranchez le raccord du moteur et mesurez la résistance des enroulements (broches 1 à 2 ; 1 à 3 ; 2 à 3). Toutes les lectures devraient être entre 4 et 6 Ohms.	Si les lectures sont correctes, remplacez la carte de commande de vitesse. Si les lectures sont incorrectes, remplacez le moteur.
Test 10:	1. Démontez la courroie du moteur et faites tourner la poulie du moteur. Est-ce que le moteur tourne librement?	Non. Remplacez le moteur. Oui. Passez à l'étape (3)
	2. Tournez la poulie du tambour. Est-ce que le tambour tourne librement ?	Non. Vérifiez les roulements du tambour. Oui. Passez à l'étape (3)
	3. Débranchez le raccord du moteur et mesurez la résistance des broches 4 et 5 du moteur.	Si les lectures sont autres que entre 80 et 130 Ohms, remplacez le moteur. Si les lectures sont autres que entre 80 et 130 Ohms, remplacez le moteur, Passez à l'étape (4)
	4. Débranchez le raccord du moteur et mesurez la résistance des enroulements (broches 1 à 2 ; 1 à 3 ; 2 à 3). Toutes les lectures devraient être entre 4 et 6 Ohms.	Si les lectures sont correctes, remplacez la carte de commande de vitesse. Si les lectures sont incorrectes, remplacez le moteur.
Test 11:	1. Problème de communication. Vérifiez le câblage entre la carte de commande et la carte de commande de vitesse.	Mauvais câblage. Corrigez le problème de câblage. Bon câblage. Remplacez la carte de commande. Si le problème persiste, remplacez la carte de commande de vitesse.
Test 12:	1. Vérifiez la résistance de la thermistance CTN. Est-ce qu'elle se situe autour de 50K Ohms ?	Non. Remplacez le robinet d'entrée d'eau. Oui. Remplacez la carte de commande.
Test 13:	1. Demandez que le fournisseur d'électricité vérifie la fréquence de l'entrée d'alimentation. Si elle est correcte, remplacez la carte de commande.	
Test 14:	1. Vérifiez la résistance de l'élément chauffant. Elle doit être d'environ 14 Ohms.	Si les lectures sont incorrectes, remplacez l'élément chauffant.
	2. Vérifiez la résistance entre la mise à la terre et les deux bornes de la chaufferette. Elle doit être nulle lorsque les bornes de la chaufferette sont débranchées.	
Test 15:	1. Vérifiez la résistance de la thermistance CTN. Est-elle d'environ 4,8L Ohms ?1.	Non. Remplacez la chaufferette. Oui. Vérifiez le câblage.
Test 16:	Vérifiez le faisceau de fils qui se trouve entre le tableau de commande de la console et la carte d'interface.	Si le faisceau de fils est défectueux, corrigez le problème de câblage. Si le faisceau de fils est fonctionnel et qu'aucune ampoule DEL ne s'allume, remplacez la carte d'interface. Si cela ne règle pas le problème, remplacez le tableau de commande de la console. Remarque : Si seulement une ampoule DEL ne s'allume pas, remplacez la carte d'interface.

Hoja de Datos Técnicos de Lavadora

Esta información es Sólo para Técnicos Calificados.

PRECAUCIÓN: DESCONECTE LA CORRIENTE ELÉCTRICA ANTES DEL SERVICIO

Por favor, conserve esta hoja en su sobre en el producto para referencia futura

Contenido	Página
Explicación del código de error.....	10-11
Diagnóstico	11
Cuadro de códigos de error.....	12
Pruebas.....	13-14

LECTURA DE CÓDIGOS DE ERROR:

1. Inicie la lavadora presionando cualquier botón.
2. Espere 5 segundos.
3. Presione y **MANTENGA PRESIONADOS** simultáneamente los botones **Inicio/Pausa** y **Cancelar**. Mientras se mantienen presionados los botones, el código de falla aparecerá en la pantalla como una **E** seguida de dos números, de un número y una letra o de dos letras. El control sonará y se encenderán las luces indicadoras **Puerta Bloqueada, Lavado, Enjuague** y **Centrifugado Final**.

Resuelva el problema utilizando los cuadros de las páginas 3 a 5.

Verificación Rápida

Si no hay ningún error en pantalla y la lavadora se inicia momentáneamente y luego se detiene:

1. Escuche el cierre de relé dentro del control del motor justo después de presionar el botón **Inicio/Pausa**. Si esto sucede, significa que el control del motor tiene electricidad.
2. Verifique el cable del conector de 5 pines entre el control de la consola y el control del motor.

NOTA: Durante la operación normal, se podrá ver en pantalla:

“**cd**” – enfriar (ciclo sanitario)

“**do**” o “**dr**” – problema con la puerta.

“**Err**” – se ha detectado un error.

“**LOC**” – la traba de control está activada.

“**PAU**” – el ciclo se ha interrumpido.

Para borrar el último código de error guardado:

- Gire la **Perilla de Programa** hasta la posición inicio, **Centrifugado Solamente**.
- Presione **Inicio/Pausa** para iniciar el ciclo y guardarlo.
- Presione **Cancelar** para detener el ciclo y apagar las luces LED.
- Presione **Cancelar** nuevamente para encender las luces LED.
- Después de 5 segundos, presione y mantenga presionados los botones **Opción** e **Inicio/Pausa** hasta que las luces LED comiencen a encenderse en secuencia, luego suelte los botones.
- Gire la perilla de programa en sentido horario 7 veces desde la Posición Inicio. El control señalará el último código de error.
- Presione y mantenga presionados los botones **Opciones** e **Inicio/Pausa** durante 3 segundos. El código se borrará.
- Salga del Modo Diagnóstico para que la lavadora vuelva a la operación normal.
 - a) Desenchufe el cable de alimentación, espere 5 a 8 segundos, luego vuelva a conectar el cable de alimentación **Q**
 - b) Gire la perilla de programa en sentido horario 2 ó 3 veces después de la Posición Inicio.Presione los botones **Opciones** e **Inicio/Pausa** juntos durante unos segundos hasta que aparezcan las luces LED de ciclo.

Prueba de Diagnóstico

La prueba de diagnóstico se usa para verificar sólo la función del componente individual.

PARA COMENZAR LA PRUEBA:

- Gire la **Perilla de Programa** hasta la posición inicio, **Centrifugado Solamente**.
 - Presione **Inicio/Pausa** para iniciar el ciclo y guardarlo.
 - Presione **Cancelar** para detener el ciclo y apagar las luces LED.
 - Presione **Cancelar** nuevamente para encender las luces LED.
 - Después de 5 segundos, presione y mantenga presionados los botones **Opción** e **Inicio/Pausa** hasta que las luces LED comiencen a encenderse en secuencia, luego suelte los botones.
1. Todas las luces LED se encenderán en secuencia. Si presiona el botón debajo de un grupo de luces, todas las luces LED de ese grupo se encenderán al mismo tiempo para confirmar la funcionalidad.
 2. Gire la perilla de programa una (1) vez en sentido horario desde la posición de inicio. El solenoide de agua caliente se activará e ingresará agua caliente a través del compartimiento de detergente.
 3. Gire la perilla de programa dos (2) veces desde la posición de inicio. El solenoide de blanqueado se activará e ingresará agua fría a través del compartimiento de blanqueado.
 4. Gire la perilla de programa tres (3) veces desde la posición de inicio. Los solenoides de blanqueado y de lavado se activarán e ingresará agua fría a través del compartimiento de suavizante.
 5. Gire la perilla de programa cuatro (4) veces desde la posición de inicio. El solenoide del bloqueo de puerta se desactivará y se podrá abrir la puerta de carga. Cuando la puerta esté abierta, la luz del tambor deberá estar encendida.
 6. Gire la perilla de programa cinco (5) veces desde la posición de inicio. La lavadora se llenará y comenzará a funcionar. Una vez iniciado el funcionamiento, se encenderá el Calentador (si está incluido).
 7. Gire la perilla de programa seis (6) veces desde la posición de inicio. El solenoide de la bomba de drenaje y de la traba de la puerta se activará y la lavadora funcionará en centrifugado de alta velocidad.
ADVERTENCIA DE SEGURIDAD: Si se corta la electricidad durante esta prueba, se puede abrir la puerta. Para evitar lesiones, **NO** coloque sus manos adentro cuando está rotando el tambor.
 8. Gire la perilla de programa siete (7) veces desde la posición de inicio. El control señalará el último código de error.

Cómo Salir del Modo Diagnóstico

Hay dos opciones para salir del modo Prueba de Diagnóstico y volver la lavadora a operación normal:

- a) Desenchufe el cable de alimentación, espere 5 a 8 segundos, luego vuelva a conectar el cable de alimentación **Q**
- b) Gire la perilla de programa en sentido horario 2 ó 3 veces después de la posición de inicio. Presione los botones **Opciones** e **Inicio/Pausa** juntos durante unos segundos hasta que aparezcan las luces LED del ciclo de lavado.

Si surge una situación en la que usted no puede salir del modo de Diagnóstico tal como se describió anteriormente y el banco de 5 luces LED en el extremo derecho sigue ENCENDIDO sin importar cuál sea la posición de la Perilla de Programa, es posible que una combinación de botones presionados haya hecho que el control entre en un modo de prueba de fábrica especial. Si sucede esto, desconecte la alimentación para restablecer el control y volver la lavadora a la operación normal.

Cuadro de códigos de error

Código de error	Condición de falla	Verificación
E11	Tiempo de llenado demasiado largo.	Ver prueba (1).
E13	Filtración de agua en el tambor o filtración de aire en la campana de aire.	Ver prueba (2).
E21	El agua no bombea hacia afuera a la velocidad suficiente.	Ver prueba (3).
E23	El Relay de la bomba de dren en el tablero de control fallo.El alambre de la bomba o la bomba esta defectuosa.	Reemplazar la consola de control, el alambre o la bomba.
E24	Falla en el relé de la bomba de drenaje en el tablero de control o bomba desconectada.	Cambiar el tablero de control o el cable.
E31	El sensor de presión no se comunica con el tablero de control.	Ver prueba (4).
E35	Sensor de presión indica sobrecarga de agua.	Ver prueba (5).
E36	Problema en el tablero de control.	Cambiar el tablero de control.
E38	Problema en el tablero de control.	Cambiar el tablero de control.
E41	El tablero de control cree que el interruptor de la puerta está abierto.	Ver prueba (6).
E43	El tablero de control de la consola cree que se ha producido una falla en el dispositivo de cierre de la puerta.	Ver prueba (7).
E44	Problema en el tablero de control.	Cambiar el tablero de control.
E45	Problema en el tablero de control.	Cambiar el tablero de control.
E46	Problema en el tablero de control.	Cambiar el tablero de control.
E47	El tablero de control cree que la puerta del circuito de rastreo de fases (PTC) está abierta en centrifugado.	Ver prueba (7).
E48	El tablero de control cree que la puerta del circuito de rastreo de fases (PTC) está cerrada.	Ver prueba (7).
E52	Mala señal del generador tacométrico.	Ver prueba (8).
E56	Corriente elevada en el motor.	Ver prueba (9).
E57	Corriente elevada en el invertidor.	Ver prueba (9).
E58	Corriente elevada en la fase del motor.	Ver prueba (9).
E59	No hay señal tacométrica durante 3 segundos.	Ver prueba (10).
E5A	Alta temperatura en el disipador de calor provocada por sobrecarga.	Probar primero, si no funciona, cambiar el tablero de control de velocidad.
E5B	Alta temperatura en el disipador de calor.	Cambiar el tablero de control de velocidad.
E5C	Alta temperatura en el disipador de calor.	Cambiar el tablero de control de velocidad.
E5D	Problema de comunicación.	Ver prueba (11).
E5E	Problema de comunicación.	Ver prueba (11).
E5F	Problema de comunicación.	Ver prueba (11).
E66	Falla en el relé del calentador.	Ver prueba (14).
E67	Voltaje de entrada incorrecto en el microprocesador.	Ver prueba (15).
E68	Escape de corriente a tierra en el calentador o fusible abierto.	Ver prueba (14 & 15).
E71	Falla del NTC de lavado.	Ver prueba (15)
E74	La temperatura de lavado no aumenta.	Cambiar el tablero de control o el cable.
E75	Circuito del sensor de temperatura de lavado.	Ver prueba (12).
E82	Problema de control de la consola.	Cambiar el tablero de control.
E83	Problema de control de la consola.	Cambiar el tablero de control.
E91	Error de comunicación entre el tablero de interfaz de usuario y el tablero de control.	Ver prueba (16)
E93	Problema de control de la consola.	Cambiar el tablero de control.
E94	Problema de control de la consola.	Cambiar el tablero de control.
E95	Error de comunicación.	Cambiar el tablero de control.
E97	Problema de control de la consola.	Cambiar el tablero de control.
E98	Problema de control de la consola.	Cambiar el tablero de control.
EB1	Frecuencia eléctrica de entrada fuera del límite.	Ver prueba (13)
EB2	Voltaje de línea de entrada por encima de 130 VAC.	Verificar el voltaje en la salida. Si es menor que 130 VAC, cambiar el tablero de control.
EB3	Voltaje de línea de entrada por debajo de 90 VAC.	Verificar el voltaje en la salida. Si es mayor que 90 VAC, cambiar el tablero de control.
EBE	Problema de control de la consola.	Cambiar el tablero de control.
EBF	Problema de control de la consola.	Cambiar el tablero de control.
EF1	Bomba de drenaje tapada.	Destapar la bomba de drenaje.
EF2	Demasiado jabón.	Avisar al cliente que reduzca la cantidad de jabón que utiliza.

Test 1:	1. ¿Es normal el flujo entrante de agua?	Sí. Vaya al paso (4). No. Vaya al paso (2)
	2. ¿Están abiertas las bocas de entrada de agua?	No. Abra las entradas de agua. Sí. Vaya al paso (3).
	3. La presión de entrada de agua, ¿es superior a treinta (30) libras por pulgada cuadrada?	No. Haga que el cliente corrija el problema de presión. Sí. Verifique si las mangueras de entrada de agua están quebradas o bloqueadas, limpie los filtros de entrada de agua. Si el problema persiste, cambie la válvula de entrada de agua.
	4. El agua para llenar la lavadora, ¿sigue entrando en la lavadora?	Sí. Vaya al paso (5). No. Vaya al paso (6)
	5. Corte la alimentación de la lavadora. ¿Se detiene el llenado de agua?	Sí. Vaya al paso (6) No. Cambie la válvula de entrada de agua.
	6. Verifique el interruptor de presión.	El interruptor de presión está en buen estado. Vaya al paso (7). El interruptor de presión está en mal estado. Cambie el interruptor de presión.
	7. Cambie el tablero de control.	
Test 2:	1. La lavadora, ¿pierde agua?	Sí. Corrija la pérdida de agua. No. Vaya al paso (2)
	2. ¿Hay una pérdida de aire en el sistema de campana de aire?	Sí. Corrija el problema de filtración de aire. No. Vaya al paso (3)
	3. Verifique el interruptor de presión.	Defectuoso. Cambie el interruptor de presión. Correcto. Vaya al paso (4)
	4. Cambie el tablero de control.	
Test 3:	1. Verifique si hay restricciones en la manguera de drenaje.	Restricción. Corrija el problema. No hay restricción. Vaya al paso (2).
	2. Arranque la lavadora y verifique si hay 120 VAC en la bomba de drenaje.	Cero. Cambie el tablero de control. 120 VAC. Retire la bomba y verifique si hay bloqueo. Si está bloqueada, quite la restricción, si no, cambie la bomba.
Test 4:	Inspeccione el cableado entre el sensor de presión y el tablero de control.	Cableado defectuoso. Corrija el cablea. Cableado en buen estado. Cambie el sensor de presión. Si no corrige el problema, cambie el tablero de control.
Test 5:	1. El nivel de agua, ¿es superior a 4,5 pulgadas?	Sí. Vaya al paso (2). No. Vaya al paso (4).
	2. ¿Entra agua de manera continua en la lavadora?	Sí. Vaya al paso (3). No. Cambie el tablero de control.
	3. Corte la alimentación de la lavadora. ¿Deja de entrar agua?	No. Cambie la válvula de agua. Sí. Verifique si hay cortocircuitos en el cableado que va a la válvula. Si el cableado está en buen estado, cambie el tablero de control.
	4. Cambie el interruptor de presión. ¿Se corrigió el problema?	Sí. Problema resuelto. No. Cambie el tablero de control.

Test 6:	1. ¿Está cerrada la puerta de carga?	No. Cierre la puerta. Sí. Vaya al paso (2).
	2. En el enchufe J2 del control, mida el voltaje del cable negro a tierra con la alimentación encendida.	0 voltios. Verifique el cierre de la puerta. Si está en buen estado, cambie el interruptor de la puerta. 120 voltios. Cambie el tablero de control.
Test 7:	1. Inicie la prueba de diagnóstico. Gire la perilla del programa hacia la derecha hasta que haga 8 chasquidos desde la posición de encendido.	El lavarropas centrifuga. Ensamblaje del sistema de cierre de la puerta defectuoso. El lavarropas no centrifuga. Tablero de control defectuoso.
Test 8:	1. Desconecte el enchufe del motor y mida la resistencia de los pines 4 y 5 en el motor.	Si la lectura está entre 80 y 130 Ohmios, cambie el tablero de control de velocidad. Si la lectura del medidor no está entre 80 y 130 Ohmios, cambie el motor.
Test 9:	1. Quite la cinta del motor y haga girar la polea del motor. ¿El motor gira libremente?	No. Cambie el motor. Sí. Vaya al paso (3)
	2. Haga girar la polea del tambor. ¿El tambor gira libremente?	No. Verifique los cojinetes del tambor. Sí. Vaya al paso (3)
	3. Desconecte el enchufe del motor y mida la resistencia de los bobinados (pin 1 a pin 2, pin 1 a pin 3, pin 2 a pin 3). Todas las lecturas deben estar entre 4 y 6 Ohmios.	Si las lecturas son correctas, cambie el tablero de control de velocidad. Si las lecturas son incorrectas, cambie el motor.
Test 10:	1. Quite la cinta del motor y haga girar la polea del motor. ¿El motor gira libremente?	No. Cambie el motor. Sí. Vaya al paso (3)
	2. Haga girar la polea del tambor. ¿El tambor gira libremente?	No. Verifique los cojinetes del tambor. Sí. Vaya al paso (3)
	3. Desconecte el enchufe del motor y mida la resistencia de los pines 4 y 5 en el motor.	Si la lectura del medidor no está entre 80 y 130 Ohmios, cambie el motor. Si la lectura está entre 80 y 130 Ohmios, vaya al paso (4)
	4. Desconecte el enchufe del motor y mida la resistencia de los bobinados (pin 1 a pin 2, pin 1 a pin 3, pin 2 a pin 3). Todas las lecturas deben estar entre 4 y 6 Ohmios.	Si las lecturas son correctas, cambie el tablero de control de velocidad. Si las lecturas son incorrectas, cambie el motor.
Test 11:	1. Problema de comunicación. Verifique el cableado entre el tablero de control y el tablero de control de velocidad.	Cableado en mal estado. Corrija el problema de cableado. Cableado en buen estado. Cambie el tablero de control. Si no se corrige el problema, cambie el tablero de control de velocidad.
Test 12:	1. Verifique la resistencia del NTC. ¿Es de aproximadamente 50K Ohmios?	No. Cambie la válvula de entrada de agua Sí. Cambie el tablero de control.
Test 13:	1. Haga que la compañía eléctrica verifique la frecuencia de la alimentación de entrada. Si es correcta, cambie el tablero de control.	
Test 14:	1. Verifique la resistencia del calentador. Debe ser de aproximadamente 14 Ohmios.	Si las lecturas son incorrectas, cambie el elemento de calor.
	2. Verifique la resistencia entre la tierra y ambas terminales del calentador. Debe estar abierta cuando las terminales del calentador están desconectadas.	
Test 15:	1. Verifique la resistencia del NTC del tambor. ¿Es de aproximadamente 4,800 Ohmios?	No, cambie el calentador. Sí. Verifique el cableado. Si el cableado está en buen estado, cambie el tablero de control.
Test 16:	1. Verifique el enchufe preformado entre el tablero de control de la consola y el tablero de interfaz.	Corrija el problema de cableado, si presenta defectos. Si el conector está en buen estado y no se enciende ninguno de los LED, reemplace el tablero de interfaz. Si esto no soluciona el problema, reemplace el tablero de control de la consola. Nota: Si solo uno de los LED no se enciende, reemplace el tablero de interfaz.

⚠ WARNING TO REDUCE THE RISK OF ELECTRICAL SHOCK DISCONNECT THIS APPLIANCE FROM THE POWER SUPPLY BEFORE ATTEMPTING ANY USER MAINTENANCE. TURNING THE CONTROLS TO THE OFF POSITION DOES NOT DISCONNECT THIS APPLIANCE FROM THE POWER SUPPLY.

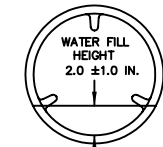
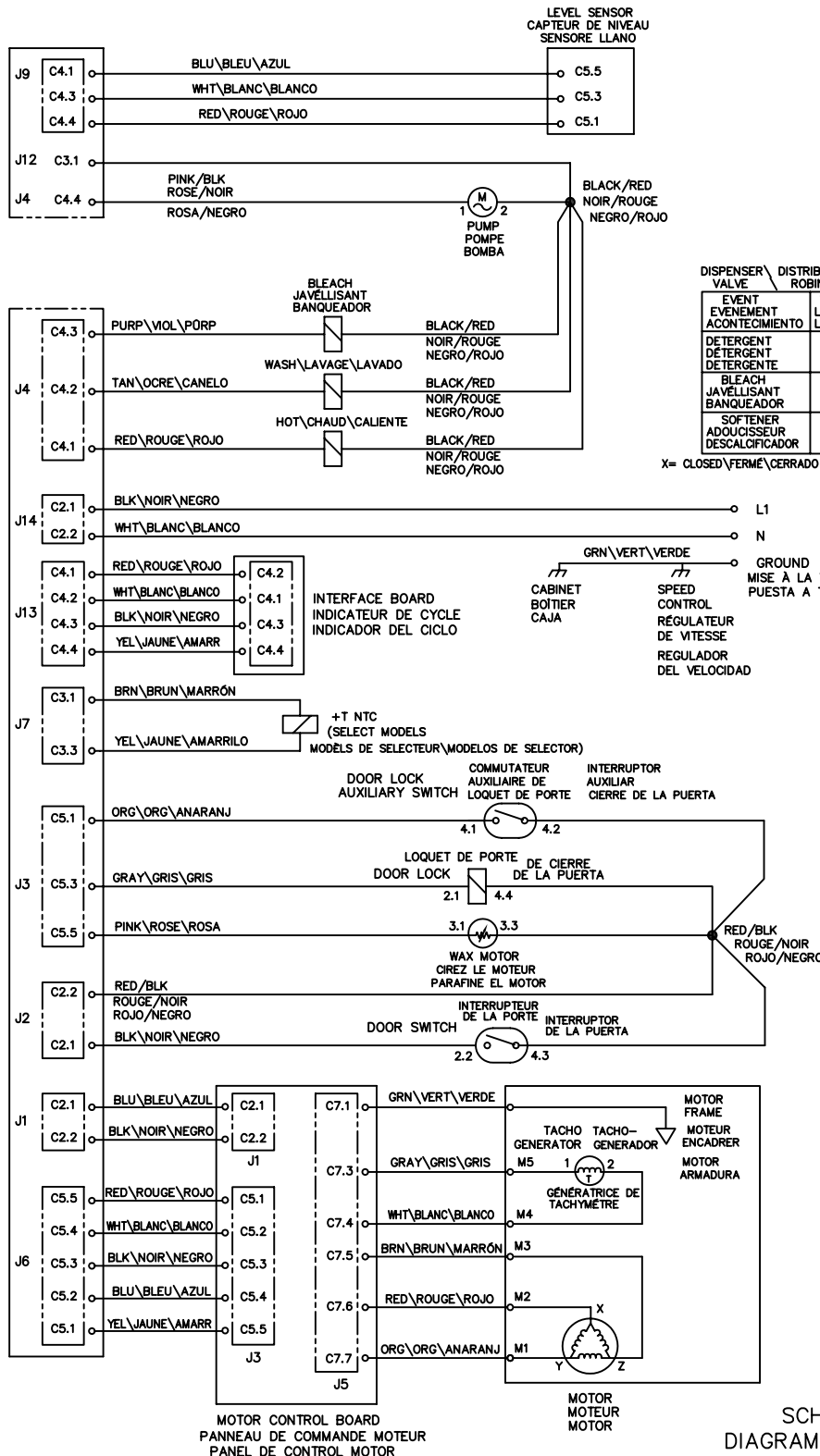
⚠ AVERTISSEMENT POUR RÉDUIRE LE RISQUE DE CHOC ÉLECTRIQUE, DÉBRANCHER CET APPAREIL DE L'ALIMENTATION AVANT DE PROCÉDER À L'ENTRETIEN. EN TOURNANT LES COMMANDES À LA POSITION ARRÊT, L'ON NE COUPE PAS L'ALIMENTATION ÉLECTRIQUE DE L'APPAREIL.

⚠ ADVERTENCIA PARA REDUCIR EL RIESGO DE CHOQUE ELÉCTRICO, DESENCHUFE ESTE APARATO DE LA ALIMENTACIÓN ELÉCTRICA ANTES DE EFECTUAR EL MANTENIMIENTO. AL GIRAR LOS CONTROLES A LA POSICIÓN OFF (APAGADO) NO SE CORTA LA ALIMENTACIÓN ELÉCTRICA AL ARTEFACTO.

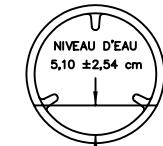
COMPONENT RESISTANCE TABLE		
ELECTRICAL COMPONENT	RESISTANCE Ω @ 77° F	
DOOR LOCK SOLENOID	1325 ±10%	
PUMP MOTOR	12.0 ±7%	
DISPENSER VALVE SOLENOIDS	800 ±7%	
MOTOR	M1 TO M2	5.3 ±7%
	M2 TO M3	5.3 ±7%
	M1 TO M3	5.3 ±7%
	M5 TO M4	118 ±7%

TABLEAU DE RÉSISTANCE DES COMPOSANTS		
COMPOSANT ÉLECTRIQUE	RÉSISTANCE Ω @ 25° C	
SOLENOÏDE DU LOQUET DE PORTE	1325 ±10%	
MOTEUR DE POMPE	12.0 ±7%	
SOLENOÏDE DU ROBINET DISTRIBUTEUR	800 ±7%	
MOTEUR	M1 VERS M2	5.3 ±7%
	M2 VERS M3	5.3 ±7%
	M1 VERS M3	5.3 ±7%
	M5 VERS M4	118 ±7%

TABLA DE RESISTENCIA DE LOS COMPONENTES		
COMPONENTE ELÉCTRICO	RESISTENCIA Ω @ 25° C	
SOLENOÏDE DE CIERRE DE LA PUERTA	1325 ±10%	
BOMBA DE MOTOR	12.0 ±7%	
SOLENOÏDE DE LA VÁLVULA DEL DISTRIBUIDOR	800 ±7%	
MOTOR	M1 A M2	5.3 ±7%
	M2 A M3	5.3 ±7%
	M1 A M3	5.3 ±7%
	M5 A M4	118 ±7%



NO LOAD, START POSITION OF PERMANENT PRESS



SANS CHARGE, POSITION DE DÉMARRAGE DU CYCLE POUR



SIN CARGA, POSICIÓN DE ARRANQUE DEL CICLO PARA TALAS DE PLANCHADO PERMANENTE.

WIRING CODES	
+	CONNECTION
+	NO CONNECTION
⌋	CABINET GROUND
⌋	LOCAL GROUND

CODES DE CÂBLAGE	
+	CONNEXION
+	AUCUNE CONNEXION
⌋	MISE À LA TERRE DE CARROSSERIE
⌋	MISE À LA TERRE DE LOCAL

CÓDIGOS DEL CABLEADO	
+	CONEXIÓN
+	SIN CONEXIÓN
⌋	PUESTA A TIERRA DE CAJA
⌋	PUESTA A TIERRA DE LOCAL

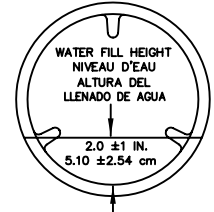
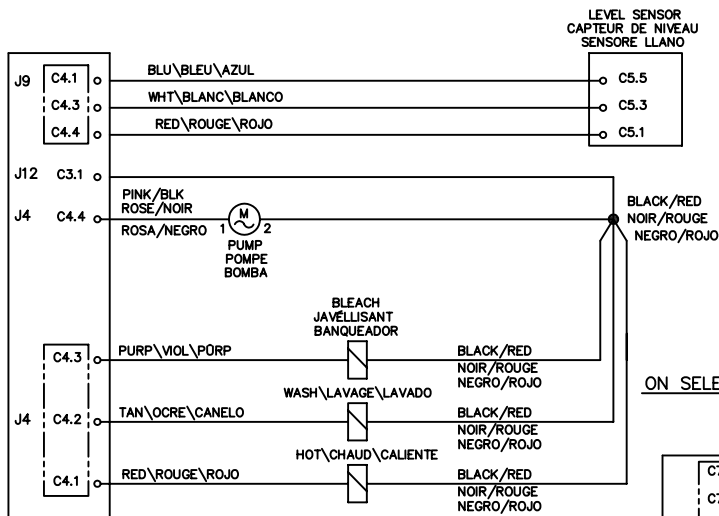
WIRING DIAGRAM PART NO. SCHEMA DE CÂBLAGE NO DE PIÈCE DIAGRAMA DE CONEXIONES NO DE PIEZA
137112700 A

▲ WARNING TO REDUCE THE RISK OF ELECTRICAL SHOCK DISCONNECT THIS APPLIANCE FROM THE POWER SUPPLY BEFORE ATTEMPTING ANY USER MAINTENANCE. TURNING THE CONTROLS TO THE OFF POSITION DOES NOT DISCONNECT THIS APPLIANCE FROM THE POWER SUPPLY.

▲ AVERTISSEMENT POUR RÉDUIRE LE RISQUE DE CHOC ÉLECTRIQUE, DÉBRANCHER CET APPAREIL DE L'ALIMENTATION AVANT DE PROCÉDER À L'ENTRETIEN. EN TOURNANT LES COMMANDES À LA POSITION ARRÊT, L'ON NE COUPE PAS L'ALIMENTATION ÉLECTRIQUE DE L'APPAREIL.

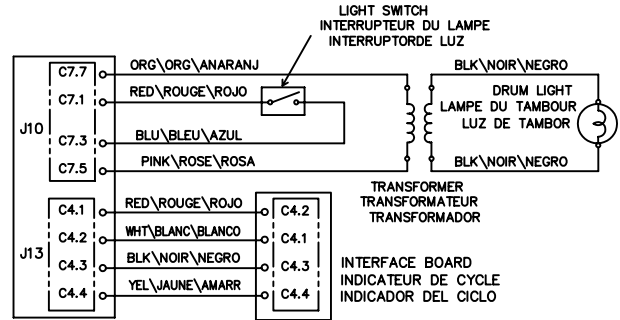
▲ ADVERTENCIA PARA REDUCIR EL RIESGO DE CHOQUE ELÉCTRICO, DESENCHUFE ESTE APARATO DE LA ALIMENTACIÓN ELÉCTRICA ANTES DE EFECTUAR EL MANTENIMIENTO. AL GIRAR LOS CONTROLES A LA POSICIÓN OFF (APAGADO) NO SE CORTA LA ALIMENTACIÓN ELÉCTRICA AL ARTEFACTO.

ON SELECT MODELS\MODÈLS DE SELECTEUR\MODELOS DE SELECTOR



NO LOAD, START POSITION OF PERMANENT PRESS
SANS CHARGE, POSITION DE DÉMARRAGE DU CYCLE POUR
SIN CARGA, POSICIÓN DE ARRANQUE DEL CICLO PARA TALAS DE PLANCHADO PERMANENTE.

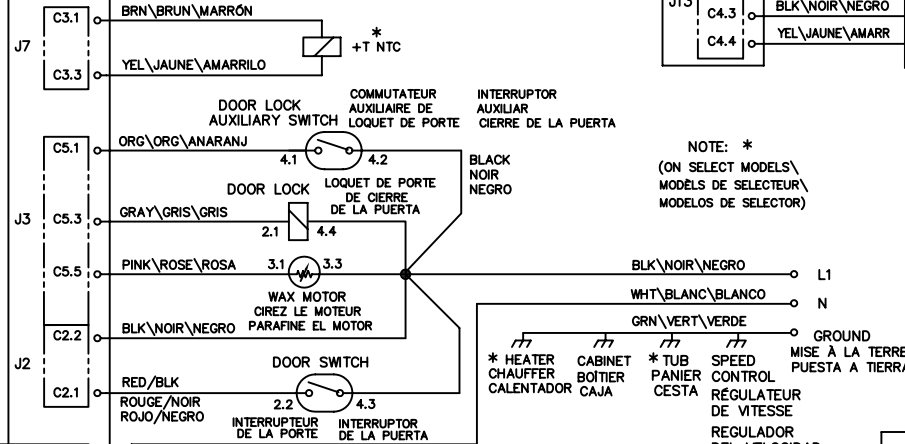
ON SELECT MODELS\MODÈLS DE SELECTEUR\MODELOS DE SELECTOR



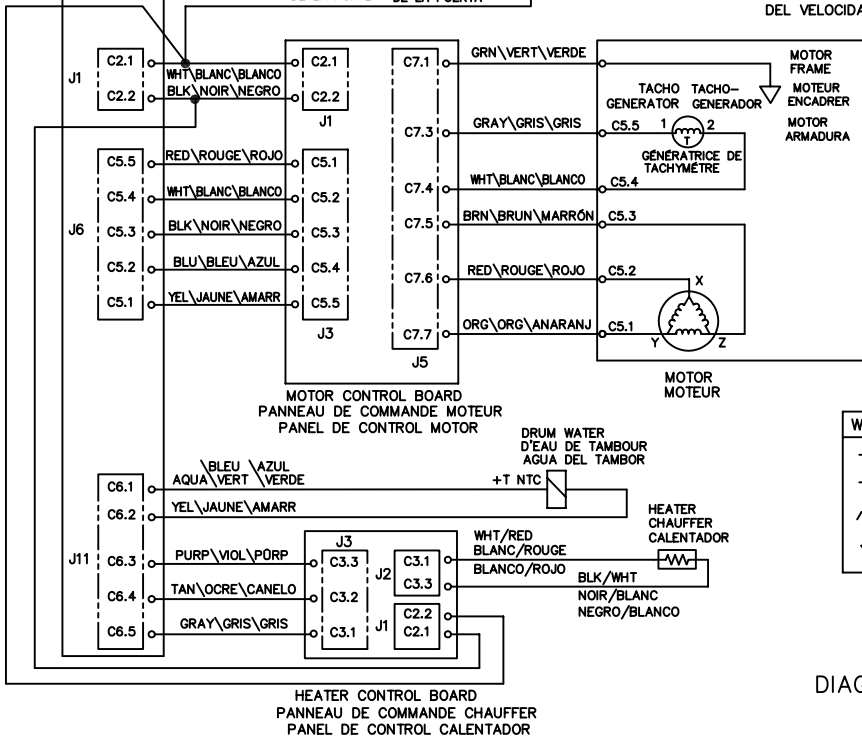
NOTE: * (ON SELECT MODELS\MODÈLS DE SELECTEUR\MODELOS DE SELECTOR)

EVENT EVENEMENT ACONTECIMIENTO	WASH LAVAGE LAVADO	BLEACH JAVÉLLISANT BANQUEADOR
DETERGENT DÉTERGENT DETERGENTE	X	O
BLEACH JAVÉLLISANT BANQUEADOR	O	X
SOFTENER ADOUCCISSEUR DESCALCIFICADOR	X	X

X=CLOSED/FERMÉ/CERRADO
O=OPEN/OUVERT/ABIERTO



COMPONENT RESISTANCE TABLE TABLEAU DE RÉSISTANCE DES COMPOSANTS TABLA DE RESISTENCIA DE LOS COMPONENTES		RESISTANCE RÉSISTANCE RESISTENCIA Ω
ELECTRICAL COMPONENT COMPOSANT ÉLECTRIQUE COMPONENTE ELÉCTRICO		● 77°F (25°C)
DOOR LOCK SOLENOID SOLENOÏDE DU LOQUET DE PORTE SOLENOIDE DE CIERRE DE LA PUERTA		1325 ±10%
PUMP MOTOR MOTEUR DE POMPE BOMBA DE MOTOR		12.0 ±7%
DISPENSER VALVE SOLENOIDS SOLENOÏDE DU ROBINET DISTRIBUTEUR SOLENOIDE VÁLVULA DEL DISTRIBUIDOR		800 ±7%
MOTOR MOTEUR	M1 -- M2	5.3 ±7%
	M2 -- M3	5.3 ±7%
	M1 -- M3	5.3 ±7%
	M5 -- M6	118 ±7%



WIRING CODES, CODES DE CÂBLAGE, CODIGOS DEL CABLEADO		
+	CONNECTION CONNEXION CONEXIÓN	
+	NO CONNECTION AUCUNE CONNEXION SIN CONEXIÓN	
⌋	CABINET GROUND MISE À LA TERRE DE CARROSSERIE PUESTA A TIERRA DE CAJA	
⌋	LOCAL GROUND MISE À LA TERRE DE LOCAL PUESTA A TIERRA DE LOCAL	

WIRING DIAGRAM PART NO. SCHEMA DE CÂBLAGE NO DE PIÈCE DIAGRAMA DE CONEXIONES NO DE PIEZA
137112700 A