

Frame Overlay Installation Guide

I Overlay Frame

Frame Preparation

An overlay frame covers the door frame to give a built-in appearance. Appropriate hardware and a copy of these instructions will be included with the unit.

Use the following instructions to create or have a wood overlay panel created for your Wine Captain® or beverage Center.

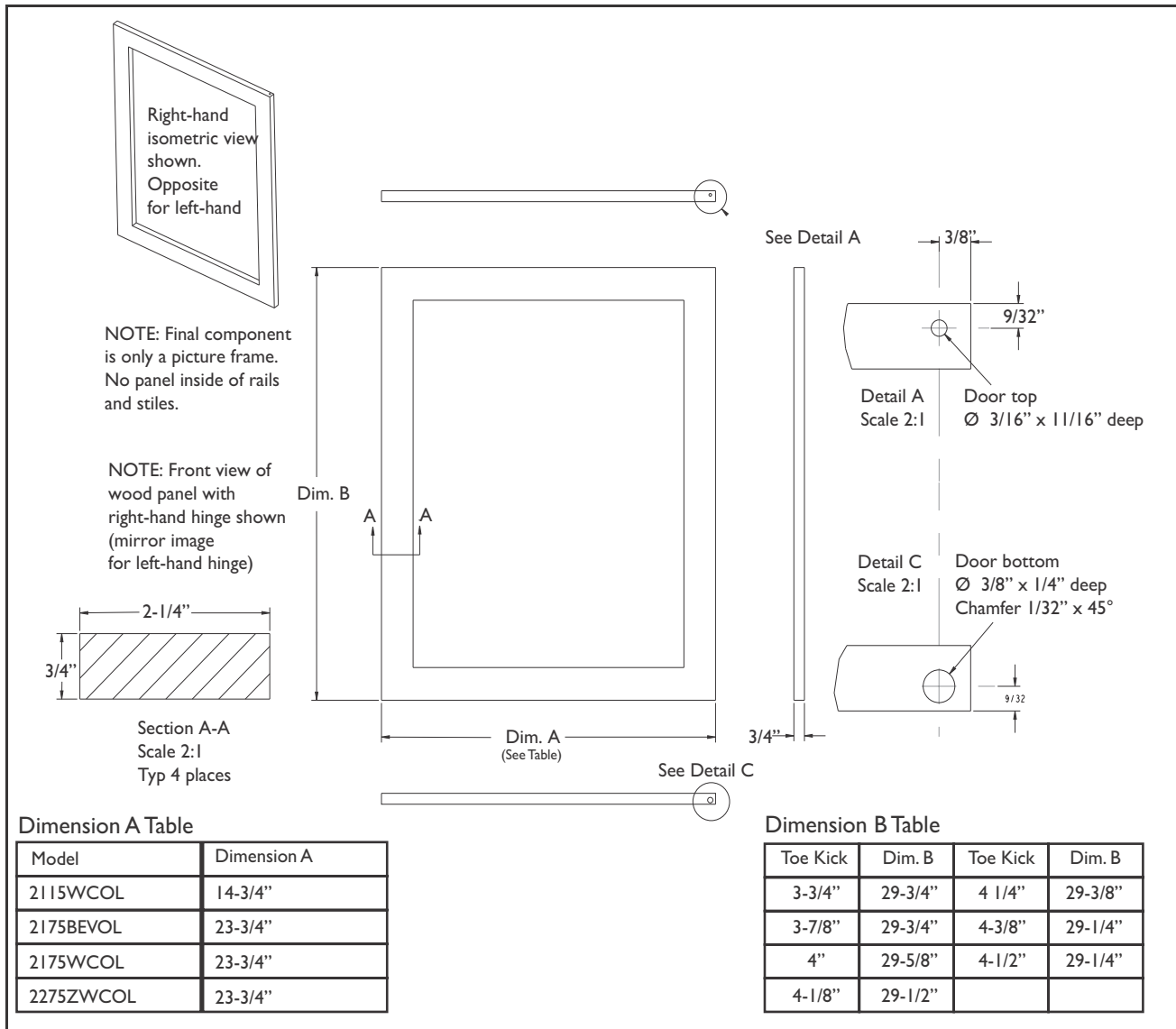
IMPORTANT

When having the frame finished with a stain, be sure to finish both sides. The back side of the frame may be visible through the glass while the door is open in some installations.

1. Determine cabinet toe kick height. Measure the difference between the surface the appliance will sit on and the bottom of the adjacent cabinetry. Make note of this.
2. Create a frame using the dimensions provided in the figure below.

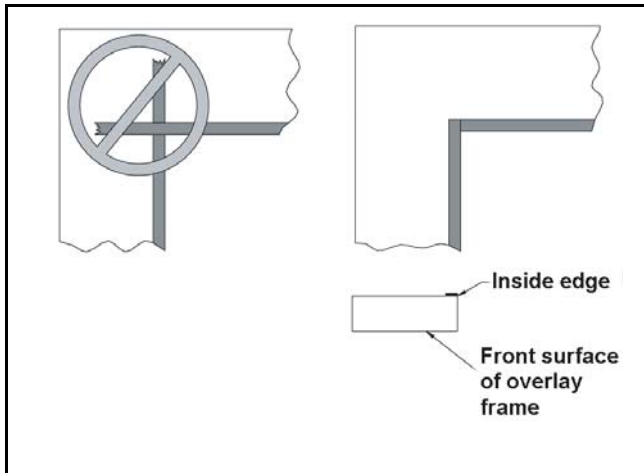
Note: Dimensions will vary based on the levelness of the floor. If floor is uneven, cut panel to the next longer dimension and adjust level legs to achieve proper fit

3. Drill holes for pivot pins, upper door hinge and lower door hinge as shown



Prepare The New Overlay Panel

1. Place a towel, or similar, soft non-marking material out on a flat clean surface. Be sure the material is large enough to have the wood panel not touch the hard mating surface.
2. Lay the wood panel out with the front side of the wood facing down.
3. Cut the foam tape in to four pieces, two pieces the width of the overlay and two pieces the height of the overlay.
4. Remove adhesive protection strip from one piece of the cut foam tape and align the edge of the foam tape to the inside edge of the overlay as shown, adhering the foam tape to the overlay. See Below
5. Trim each piece of tape immediately after applying it to the overlay. Do not allow any overlapping of the foam tape. Damage to the overlay can occur if the foam tape is not trimmed correctly.

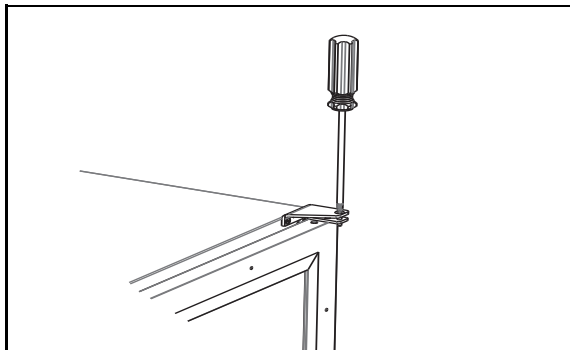


6. If required, attach any optional cabinet hardware to the wood panel at this time. If an optional cabinet handle is installed, make sure the mounting screw heads are below (countersunk) the back surface of the overlay.

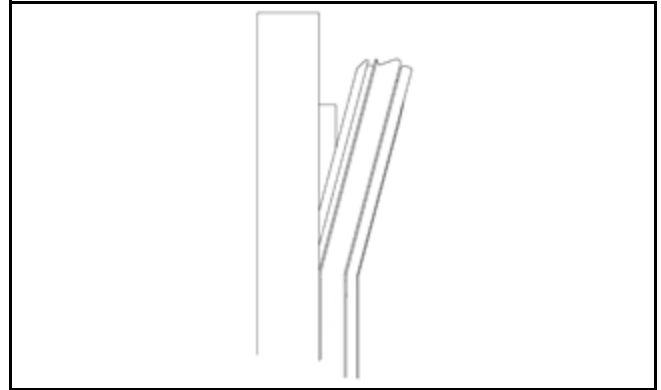
Note: After attaching the optional cabinet hardware, additional supports may be needed to keep panel flat for next steps.

Attaching the overlay panel

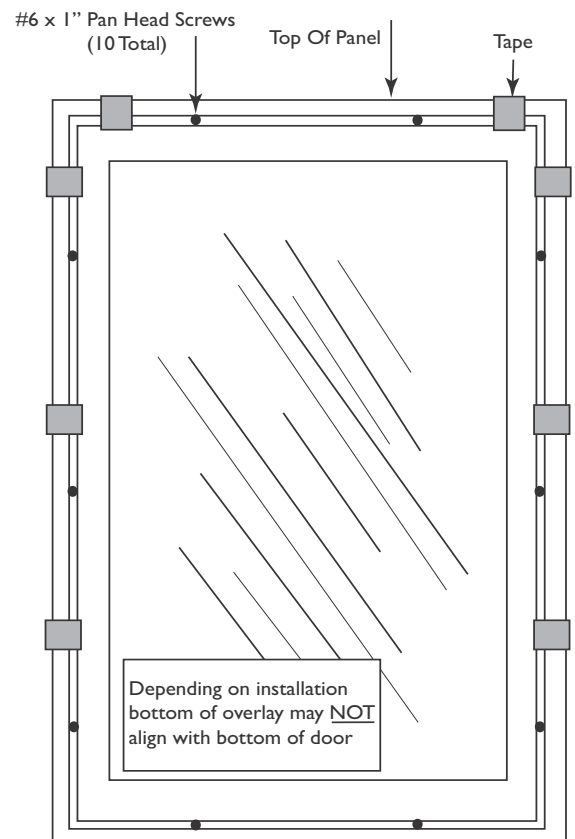
1. Remove the top hinge pivot pin with a Phillips screwdriver and lift the door off bottom hinge pin. Be careful not to lose the door closer insert sets. Save pivot pin for use later. See below.



2. Carefully lay the door over the wood panel, making sure door is oriented correctly (top of door with top of wood overlay).
3. Pull door gasket out of the groove completely. Start in the middle and pull outward, moving towards the corners (See Below). This may take some force, but be careful not to cut or rip the gasket.



4. After the gasket has been removed, place it on a clean, flat surface.
5. Align the top of the door to the top of the wood overlay. Secure the door to the back of the wood overlay using tape.
6. Use the door frame holes as a guide to lightly punch pilot holes for the 10 #6x1" pan head screws
7. Attach the door to the overlay using #6x1" wood screws.



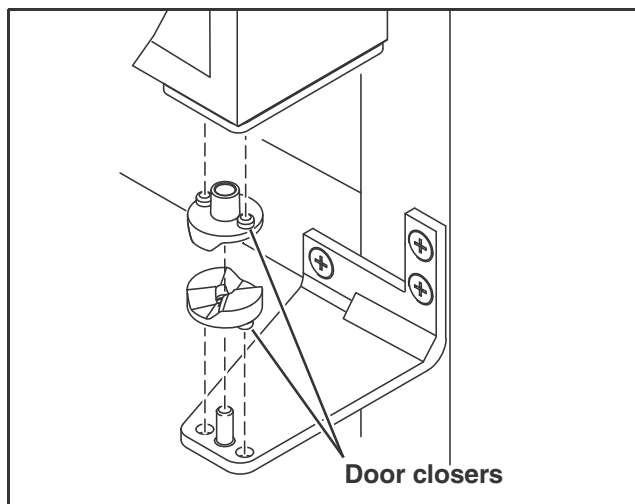
IMPORTANT

If you decide to drill pilot holes, remove the wood overlay from the door, and do not use a drill larger than 7/64". Be sure not to drill deeper than 3/8". The door frame and wood overlay must be aligned properly or the door will not operate correctly.

Note: After attaching the wood to the door, double check the bottom pivot hole location. If the hole in the pivot bracket is covered by any wood, chase through the hole with a 1 1/32" drill to open hole in door panel. **DO NOT** drill deeper than 1/4".

Assembling Door To Cabinet

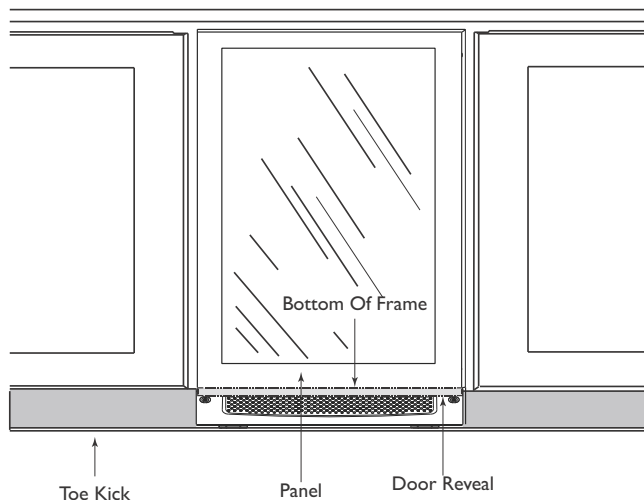
- Starting at the corners and working toward the center, push the door gasket back into place. Make sure the gasket is fully seated on all four sides and corners.
- Check the closure assembly on the bottom hinge to be sure it is seated correctly in the bosses in the hinge.
- Position door over closer. Be sure the door hinge plate holes align with the bosses on the closer (see below). Failure to do so will result in the door not sitting in the proper position and door will not align correctly. (Sometimes it is helpful to open the door 180° to have the closer and pivot align correctly).



- Holding the door in the closed position, install the pivot post through the top hinge into the top pivot plate. Tighten securely with a Phillips screwdriver, making sure post is seated fully.

IMPORTANT

The bottom of the lower overlay panel will line up with the bottom of the adjacent cabinetry and may not line up with the bottom of the actual door itself. See graphic Below



SERVICE INFORMATION

If you have a problem with this appliance, your use and care guide has troubleshooting information to help you quickly identify common problems and provide information on possible cause and remedy. Answers to Customers Frequently Asked Questions are available at www.u-line.com/customer/faq.cfm. You may contact U-Line directly:

GENERAL INQUIRIES:

U-Line Corporation
P.O. Box 245040
Milwaukee, Wisconsin 53224-9540 U.S.A.
Phone (414) 354-0300
FAX (414) 354-7905
Email: sales@u-line.com
www.u-line.com

SERVICE ASSISTANCE:

Phone (800) 779-2547
FAX (414) 354-5696
Email: onlineservice@u-line.com
www.u-lineservice.com

PARTS ASSISTANCE:

E-mail: onlineparts@u-line.com

ABOUT U-LINE

Building on 45 years, U-Line has captivated those with an appreciation for the finer things with exceptional design, inspired innovations and attention to even the smallest details.

U-Line is synonymous with premium built-in undercounter ice making, refrigeration and wine storage appliances, the U-Line Corporation is committed to luxury under the counter. U-Line is known and respected for unwavering dedication to product innovation, quality and selection. A bold and broad line of models is the product of visionaries in the pursuit of distinctive living environments in the kitchen and spaces beyond.

In 1962, Henry Uihlein founded U-Line Corporation as an outgrowth of Ben-Hur Freezer Company and was the first to develop and patent an automatic stand-alone undercounter residential ice maker. His foresight and determination to develop new ideas and to succeed when there were no clear guidelines or solutions are evident today. The Milwaukee, Wisconsin based family operated business provides continuity and vision from which innovations continue to be born.

Going forward, U-Line will continue offering best-in-class products that build on the company's numerous patents and world firsts to guide the undercounter industry in realizing its unlimited potential.