



VISUAL PERFORMANCE® SERIES VP89 (RECTANGLE, LEFT);
VP89R (CIRCLE, MIDDLE); VP89S (SQUARE, RIGHT)

Sonance Visual Performance® Series Visual Performance® Series Large Speakers

Sonance Visual Performance® Series Large speakers combine elegant, modern style with outstanding audio performance. New micro-trim grilles have only 0.20" of trim, giving these speakers a clean, sleek appearance that seamlessly integrates into any designed space. The grilles attach via powerful magnets, for simple, quick installation. A one-step paint process saves time compared to traditional flanged speakers.

Visual Performance® Large speakers are ideal for home theater applications and feature pivoting drivers that direct sound at listeners for improved stereo performance, even from less than ideal mounting locations. They are available in three shapes (rectangular, square and round), and come in five different audio performance levels so the designer and installer can select the shape that best suits the architectural space while providing the level of sound quality desired by the client.

VP81X Series - Polypropylene woofer and midrange with a ¾" silk dome tweeter;

VP83X Series - Polypropylene woofer and midrange with a 1" silk dome tweeter;

VP85X Series - Carbon fiber woofer and midrange with a 1" silk dome tweeter;

VP87X Series - Coated carbon fiber woofer and midrange with a 1" aluminum dome tweeter;

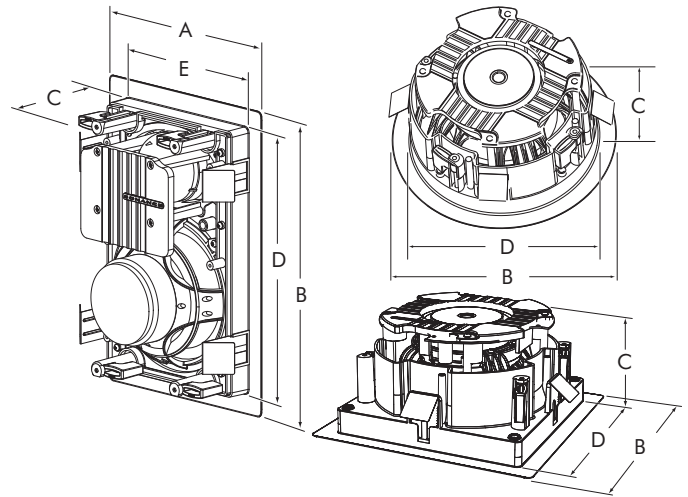
VP89X Series - Beryllium woofer, midrange and 1" beryllium tweeter.

Visual Performance® Series Large speakers can be retrofitted into mounting holes for Sonance Original Series Large speakers without modification, making upgrades exceptionally easy. Using traditional installation methods, Visual Performance® Series Large speakers feature exclusive FastMount® tabs and an integral RotoLock® mounting system for quick mounting directly into new or existing walls and ceilings.

Visual Performance® Large Rectangular speakers feature a convenient plug for installing an IR receiver into the speakers front baffle, allowing electronics to be aimed at the front of the room instead of at the electronics. These speakers are designed to receive a Sonance OptiLinQ® SMR1 or SMR1P Surface-Mount IR receiver and are a perfect compliment to a Visual Performance® Series home theater installation.

Visual Performance® Series Large speakers can also be used with accessories for Sonance Original Series Large speakers, such as Flex brackets, acoustic enclosures, retrofit backboxes and fire-rated backcans.

Dimensions:



	WIDTH B	DEPTH C	CUTOUT (w x h) D E		
SQUARE					
VP85S/VP 89S	11 ¾" 299mm	5 7/8" 149mm	10 ¼" 260mm	10 ¼" 260mm	
	WIDTH A	HEIGHT B	DEPTH C	CUTOUT (w x h) D E	
RECTANGLE					
VP81/VP83/VP85/ VP87/VP89	10" 254mm	16" 406mm	3 7/8" 98mm	8 ½" 216mm	14 ½" 368mm
	DIAMETER B	DEPTH C	CUTOUT DIA. D		
ROUND					
VP81R/VP83R/VP85R/ VP87R/VP89R	11 5/8" 295mm	5 7/8" 149mm	10 1/8" 257mm		



Sonance Visual Performance® Series

Visual Performance® Series Large Speakers

Features:

- New micro-trim grille has only 0.20" (5mm) of ABS trim, for a sleek, modern appearance. Powerful neodymium magnet grille attachment eases installation.
- Round, rectangular, and square footprints provide installation flexibility to complement a wide variety of décor and five performance levels satisfy the client's desire for high-quality audio performance.
- Fully-pivoting tweeters and midranges, as well as woofers (depending on the series selected), direct the sound at listeners for a clear sound even when speaker placement options are limited.
- Large Rectangular speakers are designed to receive a Sonance OptiLinQ® SMR1 or SMR1P Surface-Mount IR receiver and are a perfect compliment to a Visual Performance® Series home theater installation.
- Rotolock® mounting clamps and FastMount® tabs for quick, easy installation.
- All Visual Performance® Series Large speakers can be retrofitted into existing cutouts for Sonance Original Series Large speakers without modification.
- Grilles and frames can be painted together, saving installation time.

Specifications:

VP81

Tweeter:	3/4" (19mm) silk dome, ferrofluid-cooled, pivoting
Midrange:	4" (102mm) polypropylene cone, rubber surround, pivoting
Woofers:	8" (203mm) polypropylene cone, rubber surround
Frequency Response:	45Hz – 20kHz ±3dB
Impedance:	8 ohms nominal; 6 ohms minimum
Power Handling:	5 watts minimum; 100 watts maximum
Sensitivity:	89dB SPL (2.83V/1 meter)
Grille:	Perforated Steel
Dimensions (W x H x D):	10" x 16" x 3 7/8" (254mm x 406mm x 98mm)
Cut-Out Dims. (W x H):	8 1/2" x 14 1/2" (216mm x 368mm)
Shipping Weight:	20 lbs (9kg) pair

VP81R

Tweeter:	3/4" (19mm) silk dome, ferrofluid-cooled, pivoting
Midrange:	4" (102mm) polypropylene cone, rubber surround, pivoting
Woofers:	8" (203mm) polypropylene cone, rubber surround, pivoting
Frequency Response:	45Hz – 20kHz ±3dB
Impedance:	8 ohms nominal; 6 ohms minimum
Power Handling:	5 watts minimum; 100 watts maximum
Sensitivity:	89dB SPL (2.83V/1 meter)
Grille:	Perforated Steel
Dimensions (Dia. x D):	11 5/8" x 5 7/8" (295mm x 149mm)
Cut-Out Diameter:	10 1/8" (257mm)
Shipping Weight:	20 lbs (9kg) pair

VP81S

Tweeter:	3/4" (19mm) silk dome, ferrofluid-cooled, pivoting
Midrange:	4" (102mm) polypropylene cone, rubber surround, pivoting
Woofers:	8" (203mm) polypropylene cone, rubber surround, pivoting
Frequency Response:	45Hz – 20kHz ±3dB
Impedance:	8 ohms nominal; 6 ohms minimum
Power Handling:	5 watts minimum; 100 watts maximum
Sensitivity:	89dB SPL (2.83V/1 meter)
Grille:	Perforated Steel
Dimensions (W x H x D):	11 3/4" x 11 3/4" x 5 7/8" (299mm x 299mm x 149mm)
Cut-Out Dims. (W x H):	10 1/4" x 10 1/4" (260mm x 260mm)
Shipping Weight:	20 lbs (9kg) pair



Sonance Visual Performance® Series

Visual Performance® Series Large Speakers

VP83

Tweeter:	1" (25mm) silk dome, ferrofluid-cooled, pivoting
Midrange:	4" (102mm) polypropylene cone, rubber surround, pivoting
Woofer:	8" (203mm) polypropylene cone, rubber surround
Frequency Response:	38Hz – 20kHz ±3dB
Impedance:	8 ohms nominal; 6 ohms minimum
Power Handling:	5 watts minimum; 125 watts maximum
Sensitivity:	90dB SPL (2.83V/1 meter)
Grille:	Perforated Steel
Dimensions (W x H x D):	10" x 16" x 3 7/8" (254mm x 406mm x 98mm)
Cut-Out Dims. (W x H):	8 1/2" x 14 1/2" (216mm x 368mm)
Shipping Weight:	20 lbs (9kg) pair

VP83R

Tweeter:	1" (25mm) silk dome, ferrofluid-cooled, pivoting
Midrange:	4" (102mm) polypropylene cone, rubber surround, pivoting
Woofer:	8" (203mm) polypropylene cone, rubber surround
Frequency Response:	38Hz – 20kHz ±3dB
Impedance:	8 ohms nominal; 6 ohms minimum
Power Handling:	5 watts minimum; 125 watts maximum
Sensitivity:	90dB SPL (2.83V/1 meter)
Grille:	Perforated Steel
Dimensions (Dia. x D):	11 5/8" x 5 7/8" (295mm x 149mm)
Cut-Out Dims. (W x H):	10 1/8" (257mm)
Shipping Weight:	20 lbs (9kg) pair

VP85

Tweeter:	1" (25mm) silk dome, ferrofluid-cooled, pivoting
Midrange:	4" (102mm) polypropylene cone, rubber surround, pivoting
Woofer:	8" (203mm) polypropylene cone, rubber surround
Frequency Response:	36Hz – 20kHz ±3dB
Impedance:	8 ohms nominal; 6 ohms minimum
Power Handling:	5 watts minimum; 140 watts maximum
Sensitivity:	91dB SPL (2.83V/1 meter)
Grille:	Perforated Steel
Dimensions (W x H x D):	10" x 16" x 3 7/8" (254mm x 406mm x 98mm)
Cut-Out Dims. (W x H):	8 1/2" x 14 1/2" (216mm x 368mm)
Shipping Weight:	20 lbs (9kg) pair

VP85R

Tweeter:	1" (25mm) silk dome, ferrofluid-cooled, pivoting
Midrange:	4" (102mm) polypropylene cone, rubber surround, pivoting
Woofer:	8" (203mm) polypropylene cone, rubber surround
Frequency Response:	36Hz – 20kHz ±3dB
Impedance:	8 ohms nominal; 6 ohms minimum
Power Handling:	5 watts minimum; 140 watts maximum
Sensitivity:	91dB SPL (2.83V/1 meter)
Grille:	Perforated Steel
Dimensions (Dia. x D):	11 5/8" x 5 7/8" (295mm x 149mm)
Cut-Out Dims. (W x H):	10 1/8" (257mm)
Shipping Weight:	20 lbs (9kg) pair

VP85S

Tweeter:	1" (25mm) silk domes, ferrofluid-cooled, pivoting
Midrange:	4" (102mm) carbon fiber cones, rubber surround, pivoting
Woofer:	8" (203mm) carbon fiber cone, rubber surround, pivoting
Frequency Response:	36Hz – 20kHz ±3dB
Impedance:	8 ohms nominal; 6 ohms minimum
Power Handling:	5 watts minimum; 140 watts maximum
Sensitivity:	91dB SPL (2.83V/1 meter)
Grille:	Perforated Steel
Dimensions (W x H x D):	11 3/4" x 11 3/4" x 5 7/8" (299mm x 299mm x 149mm)
Cut-Out Dims. (W x H):	10 1/4" x 10 1/4" (260mm x 260mm)
Shipping Weight:	20 lbs (9kg) pair

VP87

Tweeter:	1" (25mm) aluminum dome, ferrofluid-cooled, pivoting
Midrange:	4" (102mm) coated carbon fiber cone with a rubber surround, pivoting
Woofer:	8" (203mm) coated carbon fiber cone with a rubber surround, extended pole piece
Frequency Response:	31Hz - 20kHz ±3dB
Impedance:	6 ohms nominal; 4 ohms minimum
Power Handling:	5 watts minimum; 165 watts maximum
Sensitivity:	91dB SPL (2.83V/1 meter)
Grille:	Perforated Steel
Adjustments:	Tweeter and midrange level (±3dB)
Dimensions (W x H x D):	10" x 16" x 3 7/8" (254mm x 406mm x 98mm)
Cut-Out Dims. (W x H):	8 1/2" x 14 1/2" (216mm x 368mm)
Shipping Weight:	22 lbs (10kg) pair



Sonance Visual Performance® Series

Visual Performance® Series Large Speakers

VP87R

Tweeter:	1" (25mm) aluminum dome, ferrofluid-cooled, pivoting
Midrange:	4" (102mm) coated carbon fiber cone with a rubber surround, pivoting
Woofer:	8" (203mm) coated carbon fiber cone with a rubber surround, extended pole piece
Frequency Response:	31Hz - 20kHz ±3dB
Impedance:	6 ohms nominal; 4 ohms minimum
Power Handling:	5 watts minimum; 165 watts maximum
Sensitivity:	91dB SPL (2.83V/1 meter)
Grille:	Perforated Steel
Adjustments:	Tweeter and midrange level (±3dB)
Dimensions (Dia. x D):	11 5/8" x 5 7/8" (295mm x 149mm)
Cut-Out Dims. (W x H):	10 1/8" (257mm)
Shipping Weight:	22 lbs (10kg) pair

VP89

Tweeter:	1" (25mm) beryllium domes, ferrofluid-cooled, pivoting
Midrange:	4" (102mm) beryllium cones, rubber surround, pivoting
Woofer:	8" (203mm) beryllium cone, rubber surround, extended pole piece
Frequency Response:	30Hz - 20kHz ±3dB
Impedance:	6 ohms nominal; 4 ohms minimum
Power Handling:	5 watts minimum; 175 watts maximum
Sensitivity:	91dB SPL (2.83V/1 meter)
Grille:	Perforated Steel
Adjustments:	Tweeter and midrange level (±3dB)
Dimensions (W x H x D):	10" x 16" x 3 7/8" (254mm x 406mm x 98mm)
Cut-Out Dims. (W x H):	8 1/2" x 14 1/2" (216mm x 368mm)
Shipping Weight:	22 lbs (10kg) pair

VP89R

Tweeter:	1" (25mm) beryllium dome, ferrofluid-cooled, pivoting
Midrange:	4" (102mm) beryllium cone, rubber surround, pivoting
Woofer:	8" (203mm) beryllium cone, rubber surround, pivoting
Frequency Response:	30Hz - 20kHz ±3dB
Impedance:	6 ohms nominal; 4 ohms minimum
Power Handling:	5 watts minimum; 175 watts maximum
Sensitivity:	91dB SPL (2.83V/1 meter)
Grille:	Perforated Steel
Adjustments:	Tweeter and midrange level (±3dB)
Dimensions (Dia. x D):	11 5/8" x 5 7/8" (295mm x 149mm)
Cut-Out Dims. (W x H):	10 1/8" (257mm)
Shipping Weight:	22 lbs (10kg) pair

VP89S

Tweeter:	1" (25mm) beryllium dome, ferrofluid-cooled, pivoting
Midrange:	4" (102mm) beryllium cone, rubber surround, pivoting
Woofer:	8" (203mm) beryllium cone, rubber surround, pivoting
Frequency Response:	30Hz - 20kHz ±3dB
Impedance:	6 ohms nominal; 4 ohms minimum
Power Handling:	5 watts minimum; 175 watts maximum
Sensitivity:	91dB SPL (2.83V/1 meter)
Grille:	Perforated Steel
Dimensions (W x H x D):	11 3/4" x 11 3/4" x 5 7/8" (299mm x 299mm x 149mm)
Cut-Out Dims. (W x H):	10 1/4" x 10 1/4" (260mm x 260mm)
Shipping Weight:	22 lbs (10kg) pair

SONANCE®

212 Avenida Fabricante

San Clemente, CA 92672-7531

USA(800) 582-7777 or (949) 492-7777

FAX: (949) 361-5151

Technical Support: (800) 582-0772

WWW.SONANCE.COM

Limited Lifetime Warranty:

Sonance warrants to the original retail purchaser only that this Sonance product will be free from defects in materials and workmanship, provided the product was purchased from a Sonance Authorized Dealer. For full warranty information, please see the Instruction Manual.

©2010 Sonance, Sonamp and Sonance Architectural Series are registered trademarks of Dana Innovations. Due to continuous product improvement, all features and specifications are subject to change without notice. For the latest Sonance product specification information visit our website: www.sonance.com