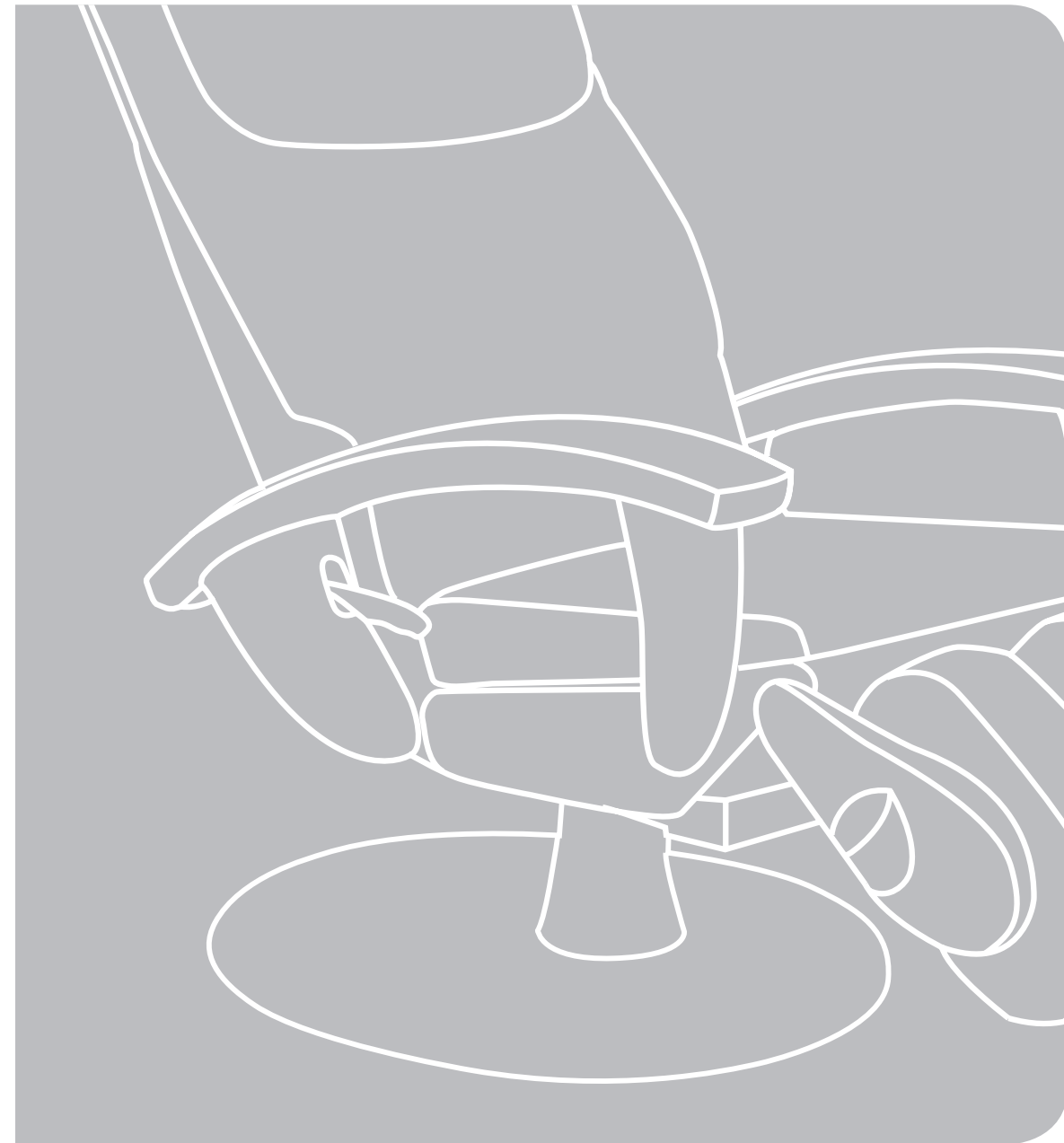




humantouch.com
800.355.2762

©2009 Human Touch®, LLC. Patents pending and intellectual property rights enforced.
No medical claims are warranted or implied by the use of this product.
Human Touch is a trademark of Human Touch®, LLC.
HT-3300-NA-A0

HT-3300



use & care manual

ENG

use & care manual

FRC

mode d'emploi et d'entretien

ESN

manual de uso y cuidado

Human Touch®
Partners in Your Well-Being

For decades, Human Touch has been a leader in the field of massage products. We create state-of-the-art products that embrace the latest technology while applying the ancient healing art of massage. Balancing your physical and mental needs requires the right mix of proper nutrition, exercise, and massage. Human Touch Massage Systems are vital components for achieving balance between physical and mental well-being.

To learn more about our company and our products, we invite you to visit us on the Internet at: humantouch.com or call our Customer Service Representatives at 800-355-2762.



The Human Touch Massage System™ is the preferred technology of the ACCO.
www.accoweb.org



HT-3300

welcome to **human touch®**

Your Human Touch massage chair is the perfect bridge between state-of-the-art technology and the ancient healing art of massage. It's a key ingredient for a balanced life—and it's right in your own home!

Your Human Touch massage chair incorporates patented Human Touch Massage System™ technology. It emulates the same techniques used by massage and chiropractic professionals for back and spinal care. It's hard to believe it's not human!

To ensure that you don't overlook any of your chair's features, and that you use it safely, read this manual carefully. Then sit back, relax, and enjoy!

humantouch.com

keep it safe

IMPORTANT SAFETY INSTRUCTIONS

When using an electrical appliance, basic precautions should always be followed, including the following:

Read all instructions before using this appliance.



DANGER: To reduce the risk of electrical shock

Always unplug this product from the electrical outlet immediately after using and before cleaning.



WARNING: To reduce the risk of burns, fire, electric shock or injury to persons:

- Do not put hands or fingers near the massage mechanism or rollers while this product is running. Touching the mechanism can result in injury from the rollers squeezing together.
- If the supply cord is damaged, it must be replaced by the manufacturer or its service agent or a similarly qualified person in order to avoid a hazard.
- An appliance should never be left unattended when plugged in. Unplug from outlet when not in use, and before putting on or taking off parts.
- Do not operate under blanket or pillow. Excessive heating can occur and cause fire, electric shock, or injury to persons.
- Close supervision is necessary when this product is used by, on, or near children, invalids, or disabled persons. Keep children away from extended foot support (or other similar parts).
- Use this product only for its intended use as described in this manual. Do not use attachments not recommended by the manufacturer.
- Never operate this product if it has a damaged cord or plug, if it is not working properly, if it has been dropped or damaged, or dropped into water. Return this product to a service center for examination and repair.
- Do not carry this appliance by supply cord or use cord as a handle.
- Always keep the power cord away from heated surfaces.
- Never operate this product with the air openings blocked. Keep the air openings free of lint, hair, and the like.
- Never drop or insert any object into any opening.
- Do not use outdoors.
- Do not operate where aerosol (spray) products are being used or where oxygen is being administered.
- To disconnect, turn all controls to the OFF position, then remove plug from outlet.
- Do not massage any area of the body that is swollen, inflamed or covered with skin eruptions.
- Do not use on unexplained calf pain.
- Do not use this product when standing on a damp floor, or when any part of the body is in contact with plumbing or any similar ground.
- Connect this appliance to a properly grounded outlet only. See GROUNDING INSTRUCTIONS.
- Do not use this product if noise above normal sound is heard.
- Do not stand on or in appliance. Use only while seated.
- This appliance is not intended for use by persons (including children) with reduced physical, sensory or mental capabilities, or lack of experience and knowledge, unless they have been given supervision or instruction concerning use of the appliance by a person responsible for their safety. Children should be supervised to ensure that they do not play with the appliance.

Safety Precautions

- Comfortable clothing is recommended while using this product.
- This product was meant to be used in a relaxed position. Never force any body part into the backrest area while the rollers are moving.
- If you feel any abnormal discomfort during the operation of this product, turn off the power immediately and do not use the product. Consult your physician.
- Do not sit on the controller.
- Do not pull on the AC cord.
- When using this product after it has been in storage, check to see that the product is operating properly prior to use.
- Always confirm that there are no obstacles behind the product and that there is sufficient space to recline.

SAVE THESE INSTRUCTIONS

Do not attempt to repair this product yourself.

This product is designed for personal in-home use. Commercial use will void warranty.

Grounding Instructions:

This product must be grounded. If it should malfunction or breakdown, grounding provides a path of least resistance for electrical current to reduce the risk of electric shock. This product is equipped with a cord having an equipment-grounding conductor and a grounding plug. The plug must be plugged into an appropriate outlet that is properly installed and grounded in accordance with all local codes and ordinances.

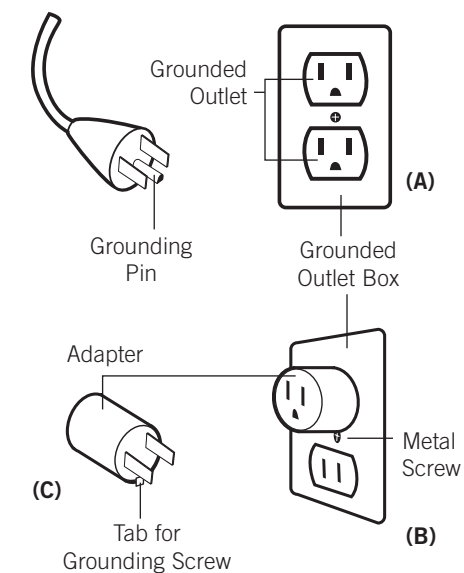


DANGER: Improper connection of the equipment-grounding conductor can result in a risk of electronic shock. Check with a qualified electrician or serviceman if you are in doubt as to whether this product is properly grounded. Do not modify the plug provided with the product – if it will not fit the outlet, have a proper outlet installed by a qualified electrician.

This product is for use on a normal 120-volt circuit and has a grounding plug that looks like the plug illustrated in sketch (A). A temporary adapter that looks like the adapter used in sketches (B) and (C) may be used to connect this plug to a 2-pole receptacle as shown in sketch (B), if a properly grounded plug is not available. The temporary adapter should be used only until a properly grounded outlet (sketch A) can be installed by a qualified electrician. The green colored, rigid ear tab or the like extending from the adapter must be connected to a permanent ground such as a properly grounded outlet box cover. Whenever the adapter is used, it must be held in place by a metal screw.

For all grounded cord-connected products:

Grounding methods:

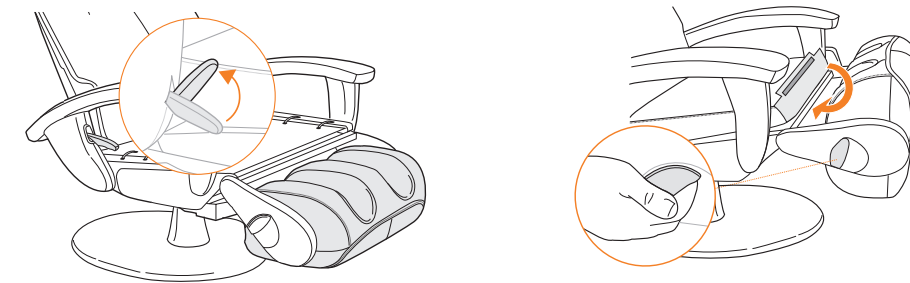
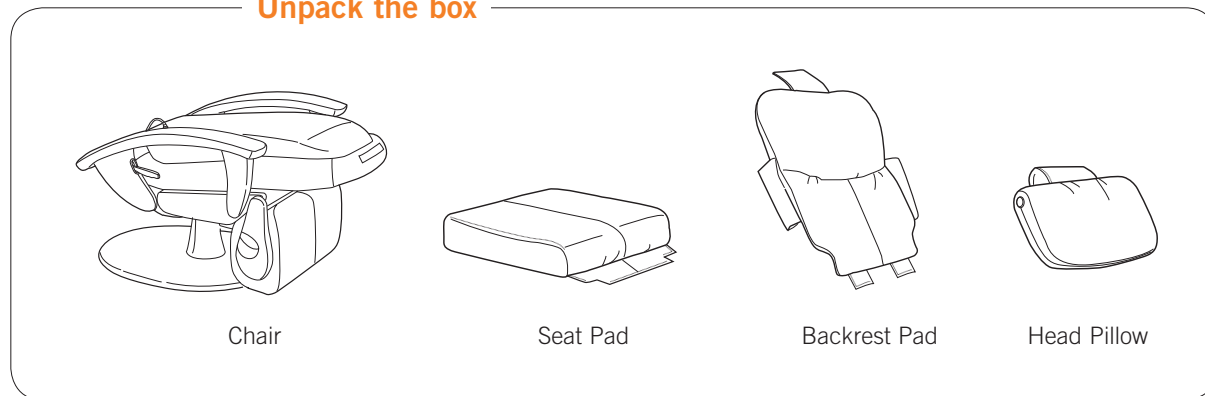


The use of a temporary adaptor is not permitted in Canada.

get ready

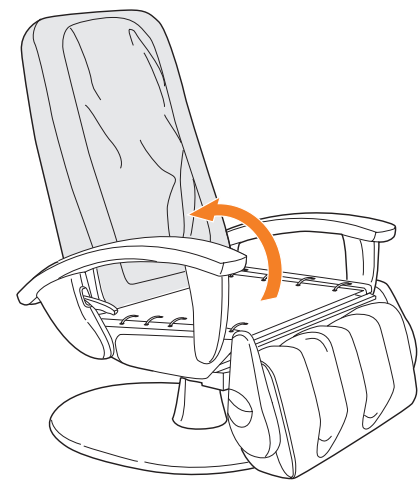
Your Human Touch massage chair requires some simple assembly (no tools required). Just attach the backrest pad, the seat pad and the head pillow, and you're done!

Unpack the box



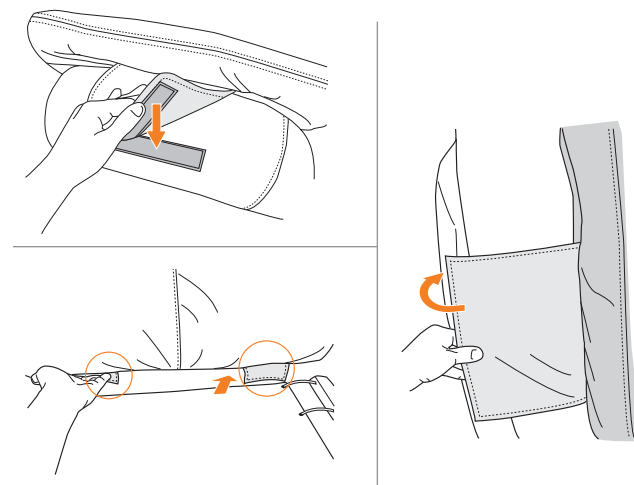
3. Attach the seat pad

Stand at the right-hand side of the chair. Pull up on the footrest control lever to extend the footrest to a horizontal position. Pull up on the rotation release handle, located on the right-hand side of the footrest, then rotate the footrest away from the chair until it is in a vertical position. Attach the seat pad to the seat, using the hook and loop fasteners. Wrap the flap on the front of the seat pad around the chair frame and attach it to the top of the chair frame using the hook and loop fasteners.



1. Unfold the chair

Remove all packaging materials from the chair. Pull up on the backrest to unfold the chair to an upright position. The backrest locks into place automatically.



2. Attach the backrest pad

Attach the top backrest pad flap to the top of the backrest. Smooth the two bottom flaps under the bottom of the backrest. Attach each side flap to the side of the backrest. All flaps attach using hook-and-loop fasteners.

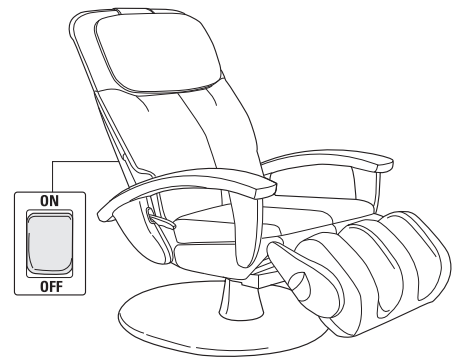
4. Attach the head pillow

Flip the flap on the back of the backrest pad up and over the top of the chair. Attach the head pillow to the flap using the hook-and-loop fasteners. Adjust the head pillow height for maximum comfort.



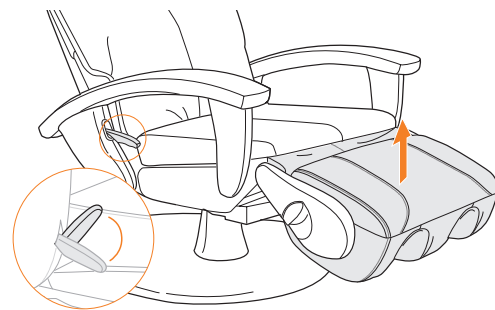
Using your Human Touch massage chair is easy. Just take a seat and adjust the backrest and foot and calf massager to the desired position. Your Human Touch massage chair helps you feel better from head to toe, using a wide variety of massage techniques that you control. It's the perfect way to relax and refresh.

take a seat



1. Power on

Plug the power cord into a grounded power source. Turn the master power switch (on the bottom center of the backrest) to On.



2. Adjust the footrest height

While sitting in the chair, pull up on the footrest control lever (located on the right-hand side of the chair) to allow the footrest to rise to a comfortable height. Release the lever.



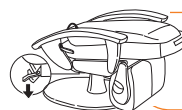
backrest



3. Adjust the backrest

Use the remote control Recline and Incline settings to adjust the backrest angle for maximum comfort.

⦿ When changing backrest or foot and calf massager direction, there is a slight pause while the chair gears shift. This is perfectly normal.



To collapse the chair for moving, press down on the backrest release lever, located on the back of the chair under the rear right-hand corner of the seat, then push the backrest down onto the chair seat.

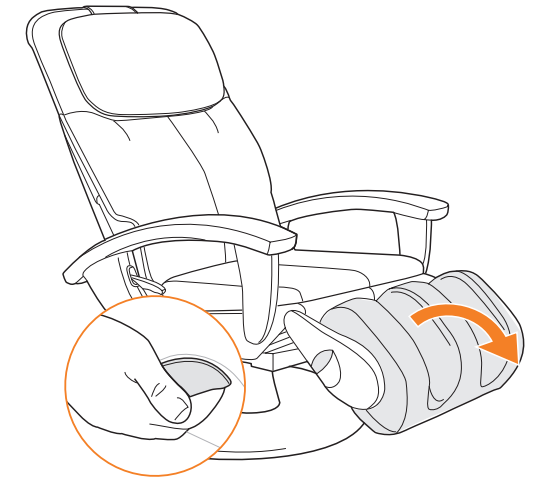
FOR A FOOT OR CALF MASSAGE

1. Deploy the foot and calf massager

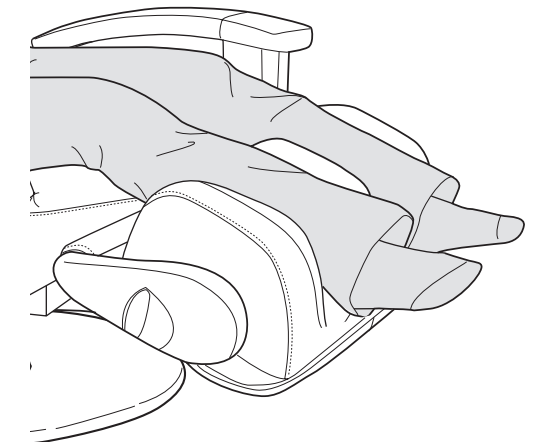
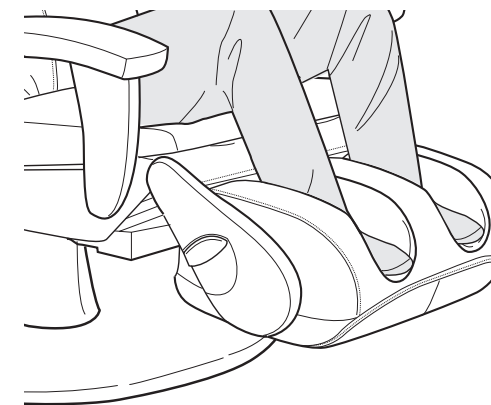
Pull up on the footrest rotation release handle (located on the right-hand side of the footrest).

For a calf massage, rotate the footrest away from the chair until it clicks into position with the foot and calf massager facing up. **Do not force the rotation of the footrest past the point at which it clicks to lock. Excess force may damage the mechanism.**

For a foot massage, rotate the footrest away from the chair just until the foot and calf massager is facing up. Do not rotate it so far that it clicks into position; the footrest should be moving freely for a foot massage.

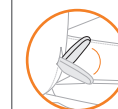


2. Insert your feet or calves




⚠ Do not stand or sit on the foot and calf massager.

For an easier exit, retract the footrest and restore the backrest to a full upright position before getting out of the chair.



Make sure the area behind/underneath the footrest is clear of any obstructions before retracting the footrest.

Use the footrest lever to retract the footrest. Use the Power Incline button  to return the backrest to a full upright position.

take control

Now choose a massage technique. Your Human Touch massage chair lets you customize your massage using a wide variety of massage techniques. Choose from three stationary massage techniques and a rolling massage, or combine them. Use the Range button to tailor your vertical massage range, or the Zone and Position buttons to target your massage to a specific area. Or, let the chair take control – just select one of the three auto programs, which alternate massage techniques and target different areas of your back. No matter how you use it, the Human Touch Massage System offers maximum massage flexibility and refreshing benefits.

Power — Lights to indicate that master power switch is on.

Stop — Stops the massage and parks the massage rollers at the top of the backrest.

Three auto massage programs feature a combination of massage techniques designed to meet specific needs:

- P1 - Sore Muscle Relief** – Revitalizes the body while soothing sore and aching muscles. Feel refreshed and free of tension.
- P2 - Stress Therapy** – Refreshes the senses by easing away hard-to-work-out knots and kinks. Promotes deep relaxation after work or play.
- P3 - Back Wellness** – Keeps aches and pains at bay with a custom massage that melts away lumbar soreness and tension.

See back of controller for convenient Auto Program description index.

Range — customizes your vertical massage range.

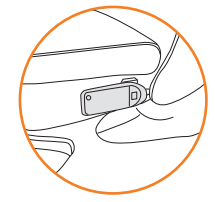
Power Recline — reclines/inclines the backrest.

Position — Use this button along with any stationary massage mode, to set the massage rollers to the desired position on the backrest. You can press this button before or after selecting the massage mode.

Massage Techniques — Four massage techniques let you customize your massage.

Zone — Targets your massage to a six-inch zone. Use the Position buttons to focus your massage on the desired area.

Foot and Calf Massage — Press this button to toggle through auto (alternates speeds), high and low speeds.



When you're not using the remote, store it in the convenient pocket on the left side of the chair, so it's out of the way.

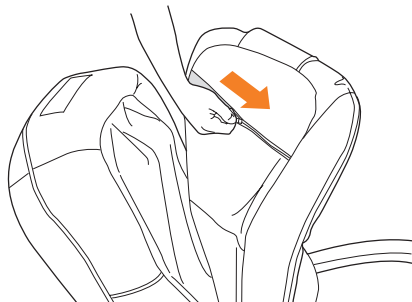
MASSAGE TECHNIQUES

Massage Mode	What It Does	Benefits
KNEADING 	Kneads your back in a small, circular motion on both sides of your spine simultaneously.	Relieves tension and soreness by lifting and stretching muscles. Improves circulation and helps bring vital nutrients to the spinal area.
PERCUSSION 	Alternates rapid-tapping strokes along the spine to stimulate both spinal muscles and spinal joint areas, emulating the percussive massage technique used in sports medicine for deep muscle therapy.	Flexes spinal joints and relieves pressure on the spinal column, invigorating the entire back area.
ROLLING 	Rolls gently up and down your back near your spine.	Warms and loosens your muscles, preparing your back for deeper massage. Relieves muscle tension, improves circulation and relaxes the back.
COMPRESSION 	Presses on spinal muscles and spinal joint areas using alternating strokes and a gentle rocking motion, emulating a technique used in sports medicine and in spinal therapy by chiropractors.	Spreads and applies pressure to deep muscle tissue, forcing it to relax, while the rocking motion loosens spinal joints. Aides in muscle and joint repair due to strain from exercise, long hours bent over a desk, or just day-to-day stress, and can improve mobility and overall posture.

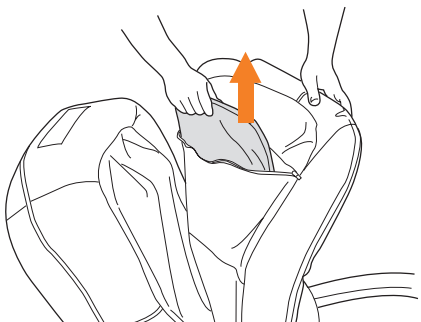
customize massage intensity

The massage-softening pad softens the massage intensity.
For a stronger massage, remove the massage-softening pad.

1. Flip the head pillow over to the back of the chair.
2. Detach the top of the backrest pad hook and loop fastener from the chair.



3. Open the horizontal zipper on the back of the backrest pad.



4. Insert or remove the massage-softening pad as desired.
5. Close the zipper.
6. Attach the top of the backrest pad to the chair using the hook-and-loop fasteners.
7. Flip the head pillow over to the front of the chair.

Replacement massage-softening pads are available from Human Touch, for an additional charge.

To experience the full power of Human Touch just remove the massage-softening pad from your chair. But keep it handy, in case you want to replace it in the future.

care and maintenance

To keep your product working and looking its best, please follow these simple care guidelines.

Cleaning:

1. Be sure to disconnect the power cord from the electrical outlet before cleaning.
2. Do not use benzene, thinner or any other solvents on your massage chair.
3. Remove dust on the backrest or armrest with a vacuum.
4. If the backrest or armrests become soiled, wipe with a damp cloth, then a dry cloth.
5. Common upholstery cleaners may be used for tough stains.
6. When cleaning the controller or around the power switch, use a dry cloth only. Never use a damp cloth to clean the controller or power switch.

Fabric Care:

To maintain your Human Touch product in optimum condition, dust it frequently and/or vacuum it with a soft brush vacuum extension. Faux Suede products can also be brushed with a suede brush. Wipe with a slightly damp cloth as necessary. For tougher stains on non-leather products, use a mild detergent mixed with water. Leather products should be wiped down occasionally with a leather furniture cleaning solution.



WARNING:

Be sure to test any cleaning solution on a small, inconspicuous part of the product to ensure that the color does not fade prior to using the solution on the entire product surface.

Maintenance and Repair:

1. The mechanics of this product are specially designed and constructed to be maintenance free. No periodic lubrication or servicing is required.
2. Your chair should only be serviced by an authorized service center.

Storage:

1. When not in use for a long period of time, we recommend that the chair be covered, the power cord be coiled and that the unit be placed in an environment free of dust and moisture.
2. Do not store near heat or open flame. Do not leave this product exposed to direct sunlight for long periods of time. This may cause fading or damage.

Miscellaneous:

1. Foreign objects should not be inserted between the massage nodes or the unit housing.
2. Care should be taken not to overload the unit.



WARNING: This product is equipped with a thermal resetting protection device. This is an added safety feature to protect you and this product from overheating. If the product should suddenly stop and will not start, turn the main power switch, located on the back of the product, to off and do not operate the product for at least 30 minutes. Failure to turn the product off may result in the product starting unexpectedly when the product cools.

limited warranty

Please read the following warranty information for important disclosures before using your new Human Touch massage chair.

It is the Human Touch mission to design, develop, manufacture and sell innovative, high-quality massage products that create a better and healthier way of life. We appreciate your commitment to our mission and our products and are pleased to let you know that the Human Touch product that you purchased comes with a limited warranty. The warranty provides peace of mind that you are covered for mechanical or structural defects in workmanship within the coverage guidelines and limitations outlined below.

Coverage Guidelines:

The warranty begins on the original purchase date and consists of:

- In-home (Labor): Human Touch will send technicians to repair the product in the customer's home, at no charge to the customer.
- Parts Only (Parts): Human Touch will provide parts that are covered by this warranty, at no charge to the customer.
- Structural (Metal Frame): Human Touch will provide parts that are covered by this warranty, at no charge to the customer.

Human Touch Chairs	In-home Service	Parts	Structural
New Products	1 year	1 year	5 years
Refurbished Products	1 year	1 year	5 years
Floor Models sold within six months of initial display date.	1 year	1 year	5 years

In the unlikely event that your Human Touch product malfunctions or requires repair, please contact your retailer. For USA customers only, please contact Human Touch Customer Service at (800) 355-2762 between the hours of 6 AM and 5 PM PST or cs@humantouch.com for assistance. You can also send a fax to customer service at (800) 840-2940. All warranty service requires approval and authorization by Human Touch.

General Limitations:

- The warranty is only valid within the United States and Canada provided the product has been operated according to the instructions accompanying it and has not been misused or damaged in any way that is beyond the control of Human Touch.
- All service covered by this warranty must be approved by Human Touch and repairs performed by authorized technicians.
- The warranty applies only to the massage chair; accessories or enhancements are not covered.
- Important exclusions apply to cosmetic items such as fabrics, woods, foams, padding, plastics covers, etc.
- Human Touch is not responsible in any way for losses, damages, or inconvenience caused by equipment failure.
- For a complete listing of warranty coverage, exclusions, and limitations, visit humantouch.com.
- Warranties do not apply to rental, business, commercial, institutional, or other non-residential users.
- Proof of purchase (original receipt) is required for all warranty repairs.

Extended Warranties:

Human Touch offers extended warranty programs to enhance ownership of the Human Touch product. Extended warranty purchases are available within 90 days of purchase of Human Touch product from either the retailer or direct from the Human Touch Customer Service Department.

Please visit humantouch.com for the latest terms and pricing for extended warranties.

Specifications*

Operating Voltage:	AC110-120V 60 Hz
Power Consumption:	140 Watts
Chair Size (reclined):	68" L x 28" W x 20" H
Product Weight:	140 Lbs.
Required recline clearance:	14"
Maximum load weight:	285 Lbs.

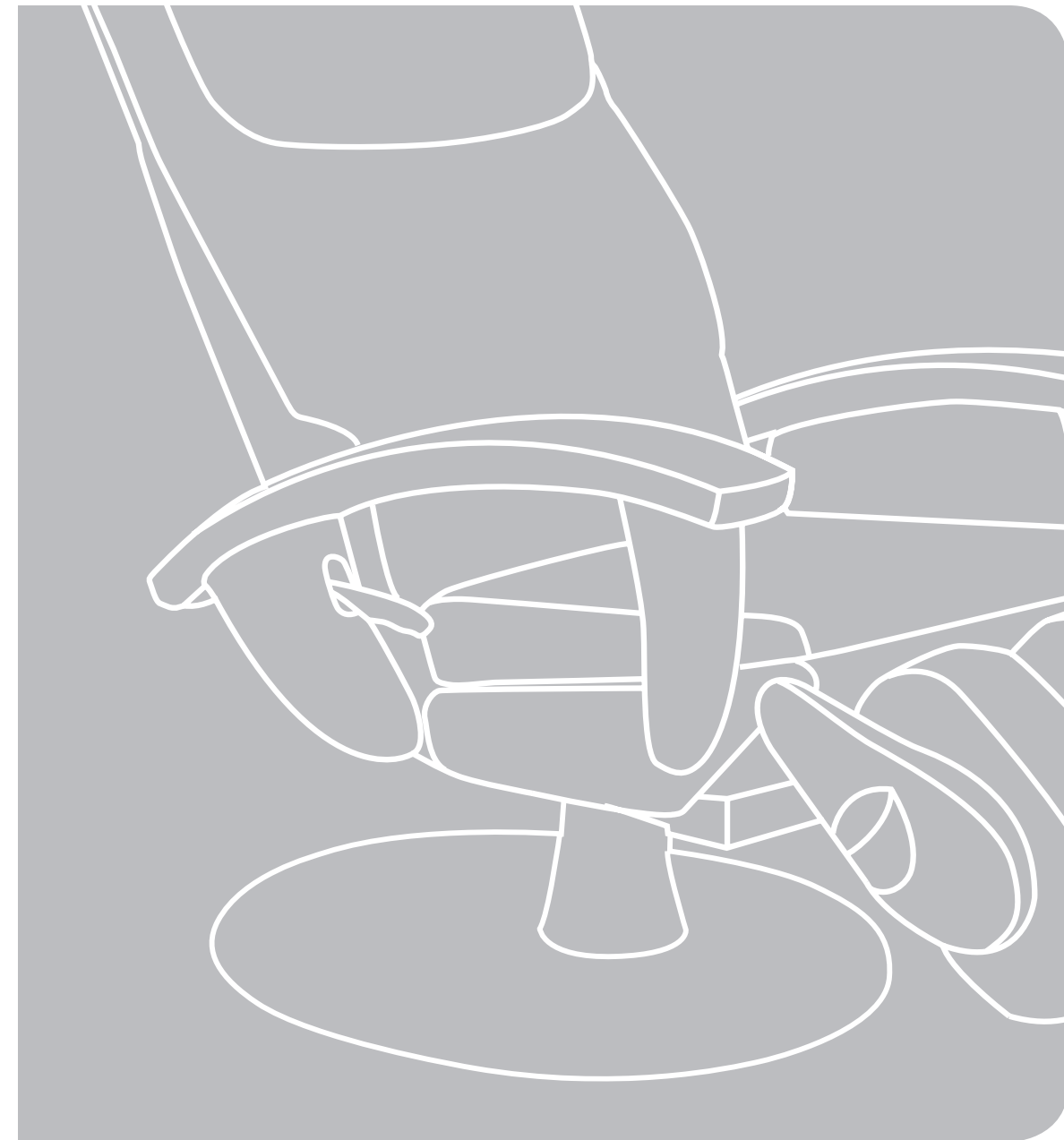
**Specifications are subject to change without prior notice.*

mode d'emploi et d'entretien

HT-3300



humantouch.com
800.355.2762



 human touch®
massage chairs
fauteuils de massage

FRANÇAIS

HT-3300

Human Touch® Les partenaires de votre mieux-être

Depuis plus de vingt ans, Human Touch est le chef de file du marché des produits de massage. Nos produits sont de véritables œuvres d'art. Ils combinent les technologies les plus récentes à l'art ancien du massage thérapeutique. L'équilibre entre vos besoins physiques et psychiques et le mode de vie effréné que nous menons aujourd'hui exigent le bon dosage entre une saine alimentation, l'exercice et le massage. Les systèmes de massage Human Touch sont un élément crucial dans l'atteinte de l'équilibre entre le bien-être physique et mental.

Pour de plus amples informations à propos de notre société et de nos produits, nous vous invitons à visiter notre site Web au www.humantouch.com ou à téléphoner à un représentant de notre service à la clientèle au 800-355-2762.



human touch®
PATENTED
MASSAGE SYSTEM

Le système de massage Human Touch^{MD} est la technologie de choix de l'ACCO.
www.accoweb.org



bienvenue chez human touch

Votre fauteuil Human Touch^{MD} intègre parfaitement la fine pointe de la technologie et l'art ancien du massage thérapeutique. Il vous offre un des ingrédients principaux d'une vie équilibrée, dans le confort de votre foyer!

Votre fauteuil Human Touch est doté de la technologie Robotic Massage^{MD} – le plus récent système Robotic Massage^{MD}. Il reproduit les techniques de soins du dos et de la colonne vertébrale mises de l'avant par les massothérapeutes et les chiropraticiens. Vous aurez peine à croire qu'il s'agit d'un simple fauteuil!

Afin de bénéficier du plein potentiel de toutes les caractéristiques de votre fauteuil, et afin de vous assurer que vous en faites un usage sécuritaire, lisez ce guide attentivement. Cela fait, asseyez-vous, détendez-vous, et profitez du voyage!

humantouch.com

Veuillez acheminer toute question ou commentaire concernant ce manuel à : documentation@humantouch.com

©2009 Human Touch^{MD}, LLC. Brevets en instance et droits de propriété intellectuelle en vigueur.

Aucune garantie quant aux bénéfices médicaux de ce produit n'est offerte, qu'elle soit expresse ou implicite.

Human Touch est une marque de commerce de Human Touch^{MD}, LLC.

consignes de sécurité

CONSIGNES DE SÉCURITÉ IMPORTANTES

Lorsque vous utilisez un appareil électrique, vous devez toujours suivre les précautions de base suivantes :

Lisez toutes les instructions avant d'utiliser cet appareil.

- ⚠ DANGER: Afin de réduire les risques d'électrocution :**
Débranchez toujours cet appareil de l'alimentation électrique dès que vous avez fini de l'employer et avant de le nettoyer.
- ⚠ MISE EN GARDE : Afin de réduire les risques de brûlure, d'incendie, d'électrocution ou de blessure :**
 - Tenez vos mains et vos doigts éloignés du mécanisme de massage et des rouleaux lorsqu'ils sont en marche. Si vous touchez au mécanisme, les rouleaux risquent de se comprimer et de vous blesser.
 - Si le cordon d'alimentation est endommagé, il doit être remplacé par le fabricant, son représentant de service ou un technicien qualifié afin d'éviter tout danger.
 - Un appareil ne devrait jamais être laissé sans surveillance lorsqu'il est branché. Débranchez l'appareil de l'alimentation lorsque vous ne l'employez pas et avant d'y insérer ou d'en retirer des pièces.
 - Ne faites pas fonctionner cet appareil une couverture ou sous un oreiller. Une surchauffe pourrait survenir et causer un incendie, une électrocution ou des blessures. Gardez les enfants à l'abri du repose-pied déployé (ou autres pièces semblables).
 - Une surveillance étroite est nécessaire lorsque ce fauteuil est employé près ou par des enfants ou des personnes handicapées.
 - Employez ce fauteuil à ce pour quoi il a été conçu, tel que décrit dans ce guide. Employez uniquement les accessoires recommandés par le fabricant.
 - N'employez jamais ce produit si son cordon ou sa fiche d'alimentation sont endommagés, s'il ne fonctionne pas correctement, s'il a été échappé ou endommagé ou s'il a été immergé. Retournez ce fauteuil à un centre de service pour examen et réparation.
 - Ne transportez pas cet appareil en tirant sur son cordon d'alimentation. N'utilisez pas le cordon d'alimentation comme une poignée.
 - Éloignez toujours le cordon d'alimentation de toute source de chaleur.
 - Ne faites jamais fonctionner ce fauteuil si ses trappes d'aération sont obstruées. Maintenez les trappes d'aération exemptes de peluche, de cheveux et de substances semblables.
 - N'échappez ni n'insérez jamais aucun objet dans aucune ouverture.
 - N'employez pas ce fauteuil à l'extérieur.
 - Ne faites pas fonctionner dans un endroit où on utilise des produits à bombe aérosol (vaporisateur) ou dans un endroit où de l'oxygène est administré.
 - Pour débrancher, mettez toutes les commandes à la position O (arrêt) et retirez la fiche de la prise.
 - Ne massez aucune partie du corps qui soit enflée, enflammée ou présentant des éruptions.
 - Ne massez pas vos jambes si vous souffrez de douleurs idiopathiques.
 - N'employez pas cet appareil sur une surface humide ou lorsqu'une partie de votre corps est en contact avec une structure de plomberie ou autre structure similaire.
 - Ne branchez cet appareil qu'à une prise correctement mise à la terre. Consultez les INSTRUCTIONS DE MISE À LA TERRE.
 - N'employez pas ce fauteuil s'il émet un bruit plus élevé que le son normal.
 - Ne vous mettez pas debout sur ou dans l'appareil. N'utilisez cet appareil qu'en position assise.

Consignes de sécurité

- Nous recommandons le port de vêtements confortables pour l'emploi de ce produit.
- Une position détendue est nécessaire afin de bénéficier des avantages de ce fauteuil. Ne mettez jamais de pression sur aucune partie de votre corps reposant sur le dossier lorsque que les rouleaux sont en mouvement.
- Si vous éprouvez un inconfort anormal lorsque vous employez ce produit, éteignez-le immédiatement et cessez son emploi. Consultez votre médecin.
- Ne vous assoyez pas sur le système de commande.
- Ne tirez pas sur le cordon d'alimentation.
- Si vous employez ce produit après une période de rangement prolongée, vérifiez son bon fonctionnement au préalable.
- Assurez-vous toujours qu'aucun obstacle ne se trouve derrière le fauteuil. Assurez-vous de disposer d'un espace suffisant pour incliner le fauteuil.

CONSERVEZ CE MODE D'EMPLOI

Ne réparez pas ce fauteuil vous-même.

Ce fauteuil est conçu pour un usage personnel au foyer. Tout usage à des fins commerciales annulera la garantie.

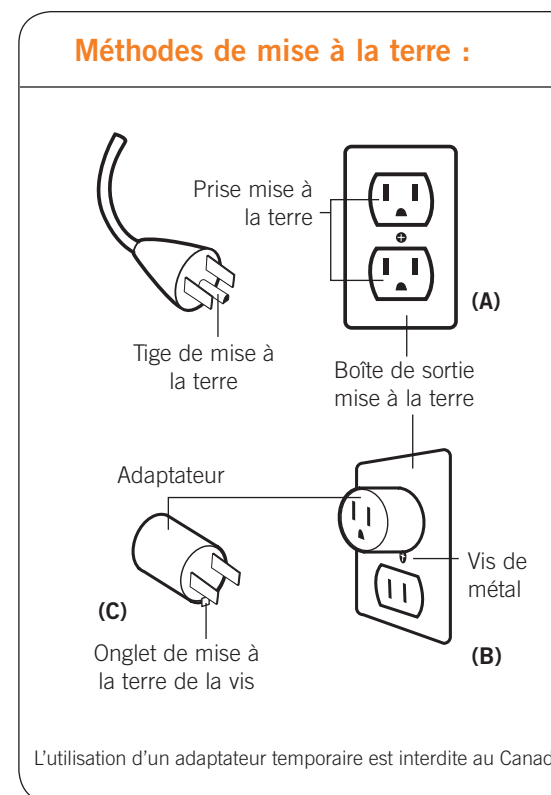
Consignes de mise à la terre :

Ce fauteuil doit être branché sur un circuit avec mise à la terre. En cas de mauvais fonctionnement ou de bris, la mise à la terre réduit le risque d'électrocution en permettant au courant électrique d'emprunter le chemin offrant le moins de résistance. Ce fauteuil est pourvu d'un cordon d'alimentation doté d'un conducteur et d'une fiche de mise à la terre. La fiche doit être branchée dans une prise correctement installée et mise à la terre conformément aux ordonnances et aux codes locaux.

⚠ DANGER : Un branchement inadéquat du conducteur de mise à la terre entraîne un risque d'électrocution. Consultez un électricien ou un technicien qualifié si vous n'êtes pas certain que ce fauteuil soit correctement mis à la terre. Ne modifiez pas la fiche accompagnant le fauteuil – si elle ne s'insère pas dans la prise, faites installer une prise appropriée par un électricien qualifié.

Ce fauteuil convient à un circuit de courant nominal de 120 volts. Il est doté d'une fiche de mise à la terre semblable à celle illustrée sur la figure A. Au cas où une prise correctement mise à la terre ne serait pas disponible, un adaptateur temporaire, semblable à celui illustré sur les figures B et C, peut être employé pour brancher cette fiche à une prise de courant à deux trous, tel qu'illustré sur la figure B. L'adaptateur temporaire ne doit être employé que le temps qu'il faudra à faire installer une prise correctement mise à la terre (figure A) par un électricien qualifié. L'onglet rigide de couleur verte sortant de l'adaptateur doit être branché à une prise permanente, telle un couvercle de boîte de sortie correctement mise à la terre. L'adaptateur doit être retenu par une vis de métal.

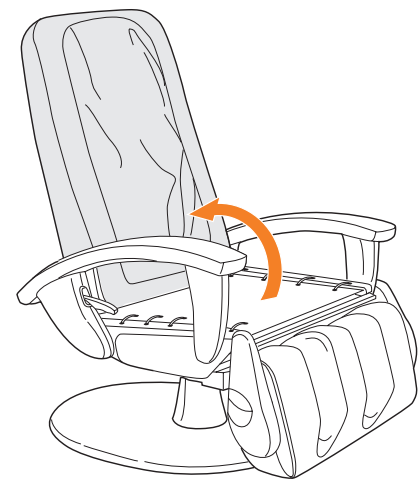
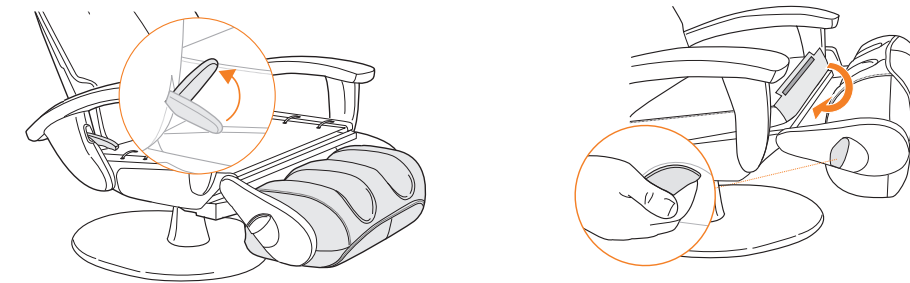
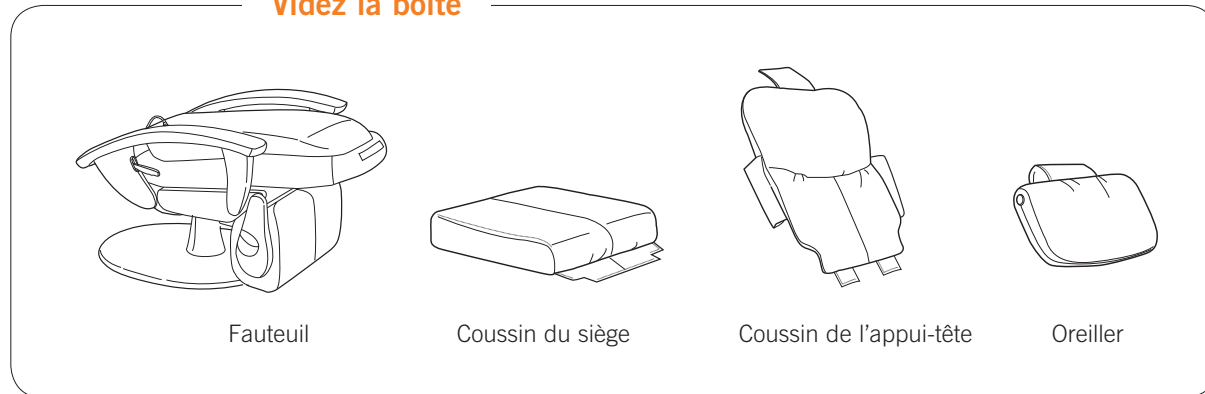
Pour tous les produits dotés d'un cordon d'alimentation mis à la terre :



préparez-vous

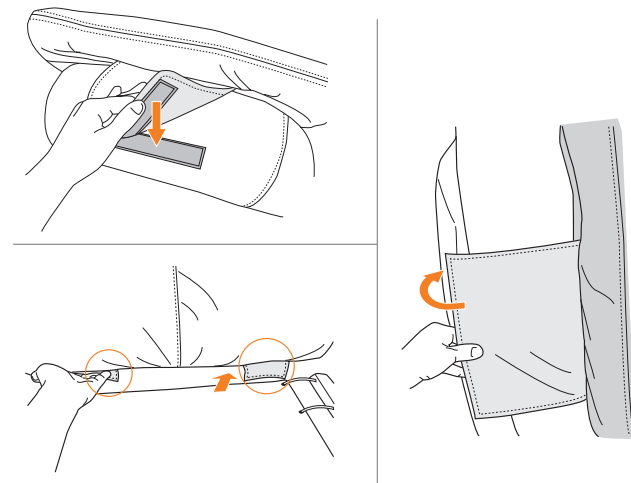
Votre fauteuil de massage Human Touch est facile à assembler (aucun outil nécessaire). Fixez tout simplement le coussinet du dossier

Videz la boîte



1. Dépliez le fauteuil

Retirez tout le matériel d'emballage du fauteuil. Tirez sur le dossier afin de déplier le fauteuil et de l'amener en position verticale. Le dossier s'immobilise automatiquement.



2. Installez le coussin du dossier

Fixez le rabat supérieur du dossier au haut du dossier. Lissez les deux rabats inférieurs sous le dossier. Fixez chaque rabat latéral sur les côtés du dossier. Tous les rabats s'attachent à l'aide des bandes de ruban autoagrippant.

3. Installez le coussin du siège

Tenez-vous debout à droite du fauteuil. Tirez sur le levier du repose-pied afin d'allonger le repose-pied en position horizontale. Tirez sur la poignée de relâche du repose-pied, situé sur le côté droit, et faites tourner le repose-pied loin du fauteuil, jusqu'à ce qu'il se trouve en position verticale. Attachez le coussin du siège à l'arrière du siège à l'aide des bandes de ruban autoagrippant. Enroulez le rabat de l'avant du coussin du siège autour du cadre du fauteuil et attachez-le au haut du cadre du fauteuil à l'aide des bandes de ruban autoagrippant.

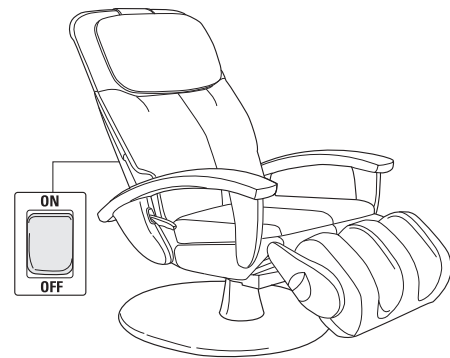
4. Installez l'oreiller

Ramenez le rabat, situé à l'arrière de l'appui-tête, vers le haut et par-dessus le fauteuil. Attachez l'oreiller au rabat à l'aide des bandes de ruban autoagrippant. Ajustez la hauteur de l'oreiller afin d'obtenir la position la plus confortable.



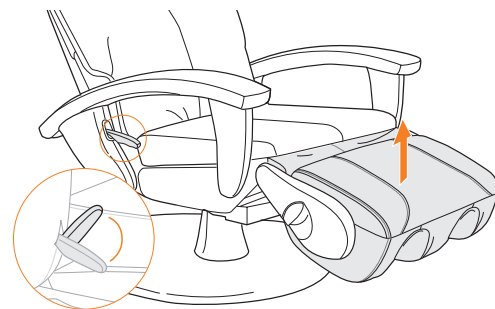
prenez place

Votre fauteuil de massage Human Touch est facile d'emploi! Prenez place et ajustez le dossier et le masseur de jambes+pieds à la position désirée. Votre fauteuil de massage Human Touch vous fera vous sentir mieux des pieds à la tête, grâce à un vaste éventail de techniques de massage sous votre commande. C'est la façon idéale de relaxer et de se détendre.



1. Mettez-le en marche

Branchez le cordon d'alimentation à une source d'alimentation de 120 volts. Mettez l'interrupteur principal, situé au centre, au bas du dossier du dossier, à la position de marche.



2. Ajustez la hauteur du repose-pied

Assis dans le fauteuil, tirez sur le levier du repose-pied (situé sur le côté droit du fauteuil) afin d'élever le repose-pied en position confortable. Relâchez le levier.



dossier



3. Ajustez le dossier

Ajustez l'angle du dossier à l'aide des réglages d'inclinaison mécanique de la télécommande afin d'obtenir la position la plus confortable.

⦿ Le fauteuil marque un léger temps d'arrêt lorsque son engrenage s'enclenche suite à un changement de direction du dossier ou du masseur jambes+pieds. Cela est tout à fait normal.



Afin d'abaisser le fauteuil pour le déplacer, appuyez sur le levier de relâche du dossier, situé à l'arrière du fauteuil, et poussez le dossier sur le siège.

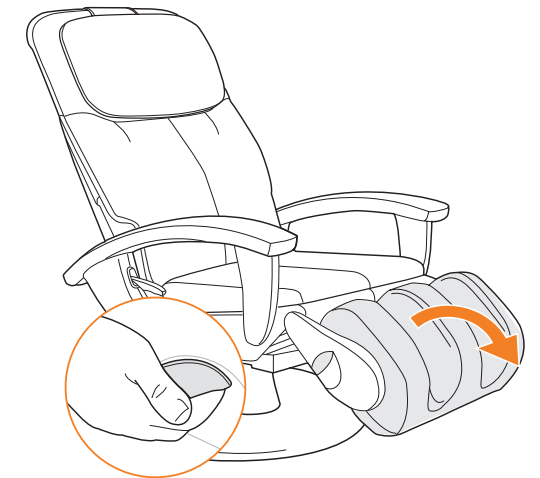
POUR UN MASSAGE DES PIEDS ET DE JAMBES

1. Déployez le masseur de jambes+pieds

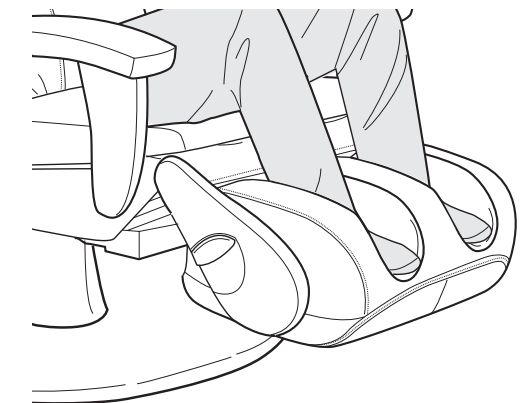
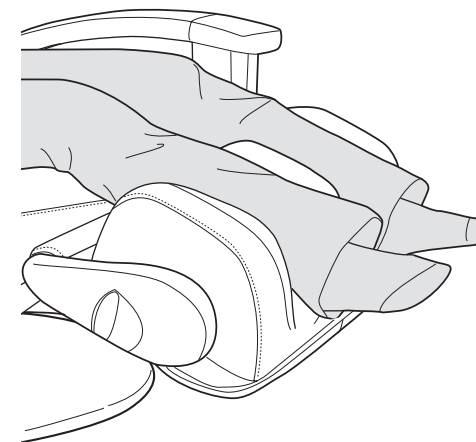
Tirez sur la poignée de relâche du repose-pied (situé sur le côté droit).

Pour un massage des jambes, faites pivoter le repose-pied en l'éloignant du fauteuil, jusqu'à ce que vous l'entendiez cliquer, le masseur de jambes+pieds face vers le haut. **Ne forcez pas le pivotement du repose-pied au-delà du clic. Une force excessive pourrait endommager le mécanisme.**

Pour un massage des pieds, faites pivoter le repose-pied en l'éloignant du fauteuil, jusqu'à ce que le masseur de jambes+pieds fasse face vers le haut. N'éloignez pas le repose-pied jusqu'à ce qu'il clique : le repose-pied doit se déplacer librement pour un massage des pieds.



2. Insérez vos jambes ou vos pieds



⚠ Ne vous mettez pas debout et ne vous assoyez pas sur le masseur de jambes+pieds.

Avant de sortir du fauteuil, abaissez toujours le repose-pied.



Élevez le levier du repose-pied (situé sur le côté droit du fauteuil) et abaissez ensuite le repose-pied en position verticale en vous servant de vos jambes.

prenez les commandes

Alimentation — Témoins indiquant que l'interrupteur principal est à la position de marche.

Trois programmes de massage automatique offrent une combinaison de techniques de massage destinées à répondre à des besoins particuliers :

P1 - Soulagement des muscles endoloris – Revitalise le corps tout en soulageant les muscles endoloris. Vous vous sentirez frais, dispos et libéré de vos tensions.

P2 - Thérapie contre le stress – Ravive les sens en éliminant doucement les nœuds et les points de tension. Favorise une relaxation profonde après le travail ou le jeu.

P3 - Bien-être dorsal – Éloigne les douleurs grâce à un massage personnalisé qui fait fondre les douleurs et les tensions lombaires.

Consultez l'endos de la commande : vous y trouverez une description des programmes automatiques en ordre alphabétique.

Techniques de massage manuel — Quatre techniques de massage manuel vous permettent de personnaliser votre massage.

Région — Cible votre massage sur une région de 15 centimètres. Ciblez votre massage sur la région désirée à l'aide des touches d'ajustement de la position.

Massage des pieds et des jambes — Appuyez sur ce bouton pour alterner entre les vitesses automatiques (alternées), élevée et faible.

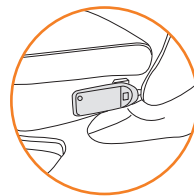


Arrêt — Arrête le massage et positionne les rouleaux de massage au haut du dossier.

Portée — Personnalise la portée verticale de votre massage.

Inclinaison mécanique — ajuste l'angle du dossier.





Ajustement par point — Positionnez les rouleaux de massage à l'endroit désiré du dossier à l'aide de cette touche, dans n'importe quel mode de massage stationnaire. Vous pouvez appuyer sur ces touches avant ou après la sélection du mode de massage.



○ Lorsque vous n'utilisez pas la télécommande, rangez-la dans la pochette de rangement pratique sur le côté gauche du fauteuil, de sorte qu'elle ne vous encombre pas.

À présent, sélectionnez un mode de massage. Votre fauteuil de massage Human Touch vous permet de personnaliser votre massage en employant une grande variété de techniques de massage. Choisissez un massage parmi trois modes de massage stationnaire et un massage de roulement, ou combinez-les. Utilisez la touche Portée pour personnaliser la portée de votre massage ou les touches Zone et Position pour cibler une région particulière (consultez la page ci-contre). Vous pouvez également laisser le fauteuil prendre les commandes : choisissez un des trois programmes automatiques, qui alternent entre les modes de massage et cibles différentes régions de votre dos. Peu importe l'utilisation que vous en faites, la technologie Robotic Massage offre une souplesse de massage optimal et les plus grands bienfaits.

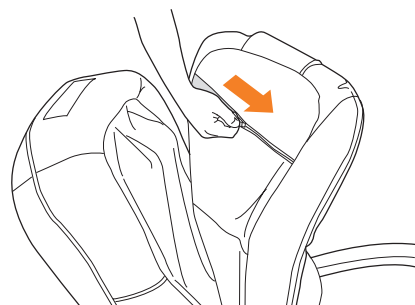
TECHNIQUES DE MASSAGE :

Mode de massage	Ce qu'il fait	Avantages
PÉTRISSAGE 	Votre dos est pétri par de petits mouvements circulaires appliqués de chaque côté de votre colonne vertébrale.	Cette technique libère des tensions et des douleurs en soulevant et en étirant les muscles. Améliore la circulation sanguine en apportant les nutriments essentiels dans la zone de votre colonne vertébrale.
PERCUSSION 	Des tapotements rapides alternés le long de la colonne vertébrale stimulent les muscles et les articulations de la région lombaire. Ce massage reproduit la technique de massage à percussion employée en médecine sportive dans le cadre de thérapie musculaire en profondeur.	Assouplit les articulations de la région lombaire et libère les pressions de la colonne vertébrale, revigorant tout le dos.
ROULEMENT 	Un roulement doux masse le long de votre dos, près de votre colonne vertébrale.	Réchauffe et relâche vos muscles, préparant votre dos pour un massage plus en profondeur. Ce massage relâche les tensions musculaires, améliore la circulation sanguine et détend le dos.
COMPRESSION 	Des pressions sont appliquées sur les muscles du dos et sur les articulations de la région lombaire, alternées entre des tapotements et un doux mouvement de balancement. Ce massage reproduit une technique employée en médecine sportive et par les chiropraticiens.	Étire et applique une pression sur les tissus musculaires profonds, les forçant à se détendre, tandis que le mouvement de balancier relâche les articulations de la colonne vertébrale. Cette technique favorise la réparation des muscles et des articulations suite à un effort dû à l'exercice, à de longues heures passées penché sur un bureau ou à un niveau de stress élevé. Elle peut améliorer la mobilité en général et la posture dans son ensemble.

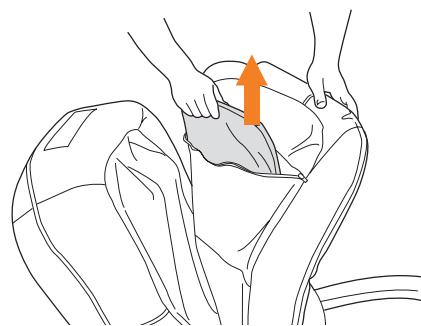
personnalisez l'intensité de votre massage

Les coussinets adoucisseurs de massage adoucissent l'intensité du massage. Pour un massage plus agressif, retirez les coussinets adoucisseurs de massage.

1. Faites basculer l'oreiller par-dessus le dossier du fauteuil.
2. Détachez du fauteuil la portion supérieure de la bande de ruban autoagrippant du dossier.



3. Ouvrez la fermeture éclair située à l'arrière du coussin du dossier.



4. Insérez ou retirez le coussinet adoucisseur de massage, au besoin.
5. Fermez la fermeture éclair.
6. Fixez la partie supérieure du coussin du dossier au fauteuil à l'aide des bandes de ruban autoagrippant.
7. Faites basculer l'oreiller vers l'avant du fauteuil.

Vous pouvez vous procurer d'autres coussins adoucisseurs de massage auprès de Human Touch, moyennant des frais supplémentaires.

Pour profiter de la puissance optimale du Human Touch, retirez simplement le coussinet adoucisseur de massage de votre fauteuil. Gardez-le cependant à portée de la main, au cas où vous souhaiteriez le remettre dans la pochette plus tard.

soin et entretien

Afin de vous assurer que votre fauteuil fonctionne bien et qu'il conserve une belle apparence, veuillez suivre ces consignes faciles d'entretien.

Nettoyage :

1. Assurez-vous de débrancher le cordon d'alimentation de la prise murale avant le nettoyage.
2. N'utilisez pas de benzène, de diluant ni d'autre agent solvant pour nettoyer votre fauteuil de massage.
3. Éliminez la poussière du dossier et des accoudoirs à l'aide d'un aspirateur.
4. Si le dossier ou les accoudoirs se salissent, essuyez-les à l'aide d'un linge humide, puis séchez-les à l'aide d'un linge sec.
5. Les détergents courants pour meubles peuvent être employés pour faire disparaître les taches tenaces.
6. N'employez qu'un linge sec pour nettoyer le système de commande ou la zone autour du bouton d'alimentation. Ne nettoyez jamais le système de commande ou le bouton d'alimentation à l'aide d'un linge humide.

Soins du tissu :

Pour maintenir votre produit Human Touch en état optimal, époussetez-le fréquemment ou passez-le à l'aspirateur à l'aide d'une brosse d'aspirateur douce. Les produits de faux suède peuvent également être brossés à l'aide d'une brosse à suède. Essuyez-le à l'aide d'un linge légèrement humide au besoin. Pour les taches plus tenaces sur les produits non recouverts de cuir, utilisez un détergent doux mélangé à l'eau. Les produits en cuir doivent être essuyés occasionnellement à l'aide d'une solution nettoyante pour meubles en cuir.

⚠ MISE EN GARDE :

Avant de procéder au nettoyage de toute la surface du produit à l'aide d'une solution nettoyante, veillez à en faire l'essai sur une petite portion camouflée du produit afin de vous assurer qu'elle n'entraîne pas de décoloration.

Entretien et réparation :

1. La mécanique de ce fauteuil a été conçue et construite afin de ne nécessiter aucun entretien. Aucune lubrification ni entretien périodique ne sont nécessaires.
2. Votre fauteuil ne doit être réparé que par un centre de service agréé.

Rangement :

1. Lorsque le fauteuil ne doit pas être employé sur une longue période, nous vous recommandons d'enrouler le cordon d'alimentation et de placer le fauteuil dans un endroit exempt de poussière et d'humidité.
2. Ne rangez pas le fauteuil près d'une flamme ou d'une source de chaleur. N'exposez pas cet appareil aux rayons directs du soleil sur une longue période. Cela pourrait le décolorer ou l'endommager.

Divers :

1. N'insérez pas de corps étrangers entre les nodules de massage ni dans le boîtier du moteur.
2. Prenez soin de ne pas surcharger l'appareil.

⚠ **MISE EN GARDE :** Ce fauteuil est doté d'un dispositif de réinitialisation thermique de protection. Il s'agit d'une caractéristique de sécurité supplémentaire installée afin de vous protéger contre la surchauffe du fauteuil. Si le fauteuil s'arrête soudainement et que vous ne pouvez le remettre en marche, mettez le bouton d'alimentation générale, situé à l'arrière du fauteuil, à la position d'arrêt. Attendez au moins 30 minutes avant de le remettre en marche. Si vous n'éteignez pas le fauteuil, il pourrait se remettre en marche inopinément une fois le dispositif refroidi.

garantie limitée

Please read the following warranty information for important disclosures before using your new Human Touch massage chair.

La mission de Human Touch est la conception, le développement, la fabrication et la vente de produits de massage novateurs et de qualité supérieure afin de vous apporter une meilleure santé et une plus belle qualité de vie. Nous apprécions votre adhésion à notre mission et à nos produits. Nous sommes heureux de vous offrir une garantie limitée sur le produit Human Touch que vous venez d'acquérir. La garantie vous offre la tranquillité d'esprit en vous protégeant en cas de défectuosité mécanique, structurelle ou de main-d'œuvre, conformément aux lignes directrices de protection et aux limitations énoncées ci-devant.

Lignes directrices de la protection :

La garantie prend effet à la date de l'achat initial et s'applique comme suit :

- À domicile (main-d'oeuvre) : Human Touch envoie le technicien pour réparer le produit au domicile du client, sans frais pour le client.
- Pièces seulement (pièces) : Human Touch fournit les pièces couvertes par la présente garantie, sans frais pour le client.
- Structure (bâti métallique) : Human Touch fournit les pièces couvertes par la présente garantie, sans frais pour le client.

Fauteuils Human Touch	Entretien en usine	Pièces	Structure
Nouveaux produits	1 an	1 an	5 ans
Produits réusinés	1 an	1 an	5 ans
Les démonstrateurs vendus dans les six mois suivant leur date de présentation initiale.	1 an	1 an	5 ans

Si jamais votre produit Human Touch fonctionnait mal ou devait être réparé, veuillez communiquer avec votre détaillant. Clients aux États-Unis seulement : veuillez contacter le service à la clientèle d'Interactive Health au (800) 355-2762 entre 06:00 et 17:00 HNO ou adressez-vous à cs@humantouch.com pour obtenir de l'aide. Vous pouvez aussi envoyer une télécopie à notre centre du service à la clientèle, au 800-840-2940. Tout entretien relatif à la garantie doit être approuvé et autorisé par Human Touch.

Limitations générales :

- Cette garantie n'est valide qu'aux États-Unis et au Canada, en autant que le produit ait été employé selon les consignes qui l'accompagnent et qu'il n'ait pas été l'objet de mésusage ou de dommages causés par des conditions incontrôlables pour Human Touch.
- Tout entretien en vertu de la présente garantie doit être approuvé par Human Touch. Les réparations doivent être effectuées par des techniciens autorisés.
- La garantie ne couvre que le fauteuil de massage; les améliorations apportées au fauteuil et les accessoires ne sont pas couverts.
- Des exclusions importantes s'appliquent aux éléments de cosmétique tels le tissu, le bois, la mousse, le rembourrage, les protecteurs en plastique, etc.
- Human Touch n'est pas responsable des pertes, dommages ou inconforts causés par une défectuosité de l'équipement.
- Pour le texte complet de la couverture de la garantie, des exclusions et des limitations, visitez humantouch.com.
- Les garanties ne couvrent pas l'usage locatif, commercial, institutionnel ni les autres usages non résidentiels.
- Une preuve d'achat (coupon original) est nécessaire pour toutes les réparations relatives à la garantie.

GARANTIES PROLONGÉES :

Human Touch offre des programmes de garantie prolongée pour votre produit Human Touch. Il est possible d'acheter une garantie prolongée auprès du détaillant ou du service à la clientèle de Human Touch, dans les 90 jours suivant l'achat d'un produit Human Touch. Veuillez visiter humantouch.com pour obtenir les conditions et les prix à jour des garanties prolongées.

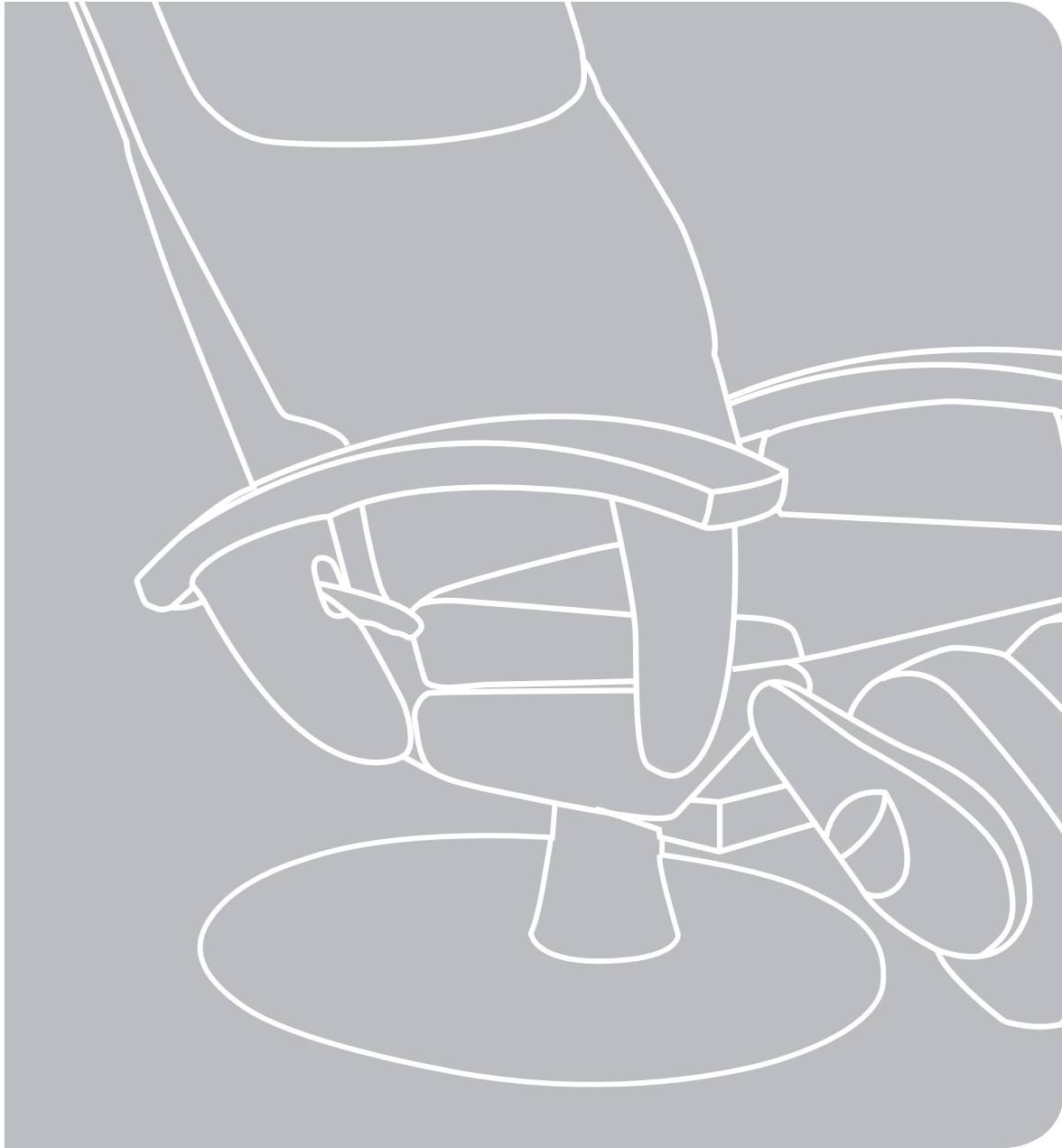
Fiche technique*

Tension de fonctionnement :	110 à 120 volts CA, 60 Hz
Consommation d'énergie :	140 watts
Dimensions du fauteuil (incliné) :	173cm L x 72cm x W x 50,8cm H
Poids du produit :	63,5 kg
Dégagement d'inclinaison requis :	35,5 cm
Poids de charge maximal :	130 kg

*La fiche technique est sujette à changement sans préavis.

manual de uso y cuidado

HT-3300



humantouch.com
800.355.2762



ESPAÑOL

Human Touch®
Aliados de su bienestar

Durante décadas, Human Touch ha sido líder en el área de productos para masajes. Creamos productos de avanzada con la tecnología más reciente que aplican el arte ancestral curativo del masaje. Ante los estilos de vida acelerados de hoy, el equilibrio de sus necesidades físicas y mentales exige la combinación exacta de nutrición, ejercicios y masajes adecuados. Los Sistemas de masaje Human Touch son componentes esenciales para obtener el equilibrio entre el bienestar físico y mental.

Le invitamos a que nos visite en Internet para conocer más sobre nuestra empresa y nuestros productos, en el siguiente enlace: www.humantouch.com o comuníquese con su distribuidor local.



human touch®
PATENTED
MASSAGE SYSTEM

El Sistema de masaje Human Touch ® es la tecnología preferida por ACCO.
www.accoweb.org



Envíe sus preguntas o comentarios sobre este manual a documentation@humantouch.com

©2009 Human Touch®, LLC. Patentes en proceso y derechos de propiedad intelectual vigentes.

El uso de este producto no garantiza ni implica declaraciones médicas.

Human Touch es una marca registrada de Human Touch®, LLC.

HT-3300

¡le damos la bienvenida a
human touch®!

La silla de masaje Human Touch® es el puente perfecto entre la tecnología de avanzada y el arte ancestral curativo del masaje. Es un ingrediente clave para una vida equilibrada y lo puede tener justo en su propia casa.

La silla de masaje Human Touch incorpora la tecnología del Sistema de masaje Human Touch®. Emula las mismas técnicas que emplean los profesionales masajistas y quiroprácticos en el cuidado de la espalda y la columna vertebral. Resulta difícil creer que no es humana.

Para garantizar que no olvide ninguna de sus funciones y que la utilizará en forma segura, lea este manual detenidamente. ¡Luego siéntese, relájese y disfrute!

humantouch.com

manténgala en forma segura

INSTRUCCIONES DE SEGURIDAD IMPORTANTES

Cuando utilice un artefacto eléctrico, debe tener siempre precauciones especiales, incluidas las siguientes:

Lea todas las instrucciones antes de usar este artefacto.



PELIGRO: Para reducir el riesgo de sacudida eléctrica:

Desconecte siempre este producto del tomacorriente inmediatamente después de usarlo y antes de limpiarlo.



ADVERTENCIA: Para reducir el riesgo de quemaduras, incendio, sacudida eléctrica o lesiones personales:

- No coloque las manos ni los dedos cerca del mecanismo de masaje, ni de los rodillos mientras este producto esté en funcionamiento. Tocar el mecanismo puede producir lesiones causadas por los rodillos que producen un efecto de compresión.
- Si el cable de alimentación está deteriorado, el fabricante, su agente de servicio o una persona calificada similar debe reemplazarlo para evitar peligros.
- Un artefacto nunca debe dejarse desatendido mientras esté conectado. Cuando no esté en uso, desconéctelo del tomacorriente antes de colocarlo o retirarle piezas.
- No lo ponga en funcionamiento bajo una sábana o cojín. Puede ocurrir el calentamiento excesivo y producir un incendio, sacudida eléctrica o lesiones personales. Mantenga a los niños retirados del apoyapies cuando esté extendido (o de otras piezas similares).
- Se requiere su supervisión muy de cerca cuando este artefacto es utilizado por, con o cerca de niños, personas inválidas o discapacitadas.
- Utilice este producto solamente para el uso que se describe en este manual. No utilice conexiones no recomendadas por el fabricante.
- Nunca haga funcionar este artefacto si tiene un cable o enchufe dañado, si no funciona correctamente, si se ha caído o deteriorado, o si ha caído en el agua. Devuelva este producto a un centro de servicio para su revisión y reparación.
- No hale este artefacto por el cable de alimentación, ni utilice el cable como mango.
- Mantenga siempre el cable de alimentación alejado de superficies calientes.
- Nunca haga funcionar este artefacto con los orificios de ventilación obstruidos. Mantenga los orificios de ventilación libres de pelusa, cabellos y cosas por el estilo.
- Nunca deje caer ni introduzca objetos en ningún orificio o abertura.
- No se utilice en exteriores.
- No se utilice en lugares donde se empleen productos en aerosol (spray) o donde se administre oxígeno.
- Para desconectarlo, apague todos los controles colocándolos en posición OFF y luego retire el enchufe del tomacorriente.
- No masajee ninguna zona del cuerpo que esté hinchada, inflamada o cubierta con erupciones.
- No se utilice si presenta dolor en las pantorrillas de causa desconocida.
- No utilice este producto sobre el piso húmedo o mientras alguna parte del cuerpo esté en contacto con tuberías o tomas de tierra similares.
- Conecte siempre este artefacto a un tomacorriente debidamente conectado a tierra. Consulte las INSTRUCCIONES DE PUESTA A TIERRA.
- No use este producto si escucha ruido más fuerte del sonido normal.
- No se ponga de pie sobre el artefacto. Úselo solamente sentado.

Precauciones de seguridad

- Se recomienda usar ropa cómoda mientras se utiliza este producto.
- Este producto ha sido diseñado para usarlo en posición relajada. Nunca fuerce ninguna parte del cuerpo hacia el área del espalda mientras los rodillos estén en movimiento.
- Si siente alguna molestia anormal durante el funcionamiento de este producto, apague la alimentación eléctrica de inmediato y no utilice este producto. Consulte a su médico.
- No se siente sobre el control.
- No hale el cable de CA.
- Cuando utilice este producto después de haberse mantenido almacenado, compruebe que funciona debidamente antes usarlo.
- Compruebe siempre que no haya obstáculos detrás del producto y que haya espacio suficiente para reclinarlo.

CONSERVE ESTAS INSTRUCCIONES

No intente reparar este producto usted mismo.

Este producto está diseñado para uso personal en casa. Su uso comercial anula la garantía.

Instrucciones de puesta a tierra:

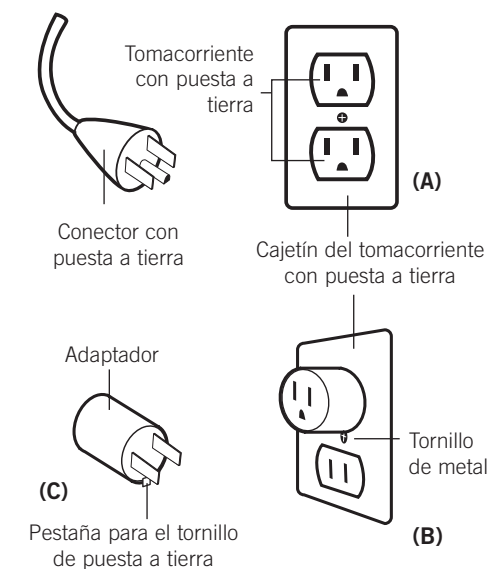
Este producto debe estar conectado a tierra. En caso de mal funcionamiento o avería, la puesta a masa ofrece una vía de menor resistencia para la corriente eléctrica para reducir el riesgo de sacudida eléctrica. Este producto está equipado con un cable que tiene un conductor de puesta a tierra del equipo y un enchufe de puesta a tierra. El enchufe se debe conectar a un tomacorriente adecuado que esté correctamente instalado y puesto a tierra, en conformidad con todos los códigos y ordenanzas locales.

PELIGRO: La conexión inadecuada del conductor de puesta a tierra del equipo puede resultar en riesgo de sacudida eléctrica. Si no está seguro de que este producto esté correctamente puesto a tierra, consulte con un electricista calificado o con un técnico de servicio. No modifique el enchufe suministrado con el producto. Si no corresponde con el tomacorriente, haga que un electricista calificado le instale un tomacorriente adecuado.

Este producto se usa en circuitos normales de 120 voltios y tiene un enchufe de puesta a tierra similar al enchufe que se muestra en la ilustración (A). Se puede utilizar un adaptador temporal similar al que se muestra en las ilustraciones (B) y (C) para conectar este enchufe a un receptáculo de 2 polos como el que se muestra en la ilustración B, en caso de no tener disponible un enchufe debidamente puesto a tierra. El adaptador temporal se debe utilizar sólo hasta que un electricista calificado instale un tomacorriente debidamente conectado a tierra (ilustración A). La pestaña rígida en forma de oreja, de color verde, o similar, que sale del adaptador se debe conectar a una toma de tierra permanente, como por ejemplo, una tapa de cajetín de tomacorriente debidamente puesta a tierra. Cuando se use el adaptador, se debe asegurar con un tornillo de metal.

Para todos los productos conectados con un cable con puesta a tierra:

Métodos de puesta a tierra:

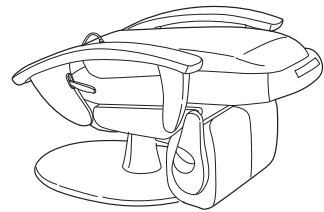


En Canadá no se permite el uso de adaptadores temporales.

prepárese

La silla de masaje Human Touch requiere una instalación sencilla (sin herramientas). Sólo coloque la almohadilla del espaldar, la almohadilla del asiento y el cojín de la cabeza ¡y listo!

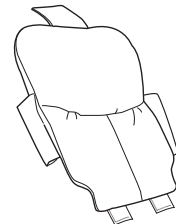
Desenvuelva el producto



Silla



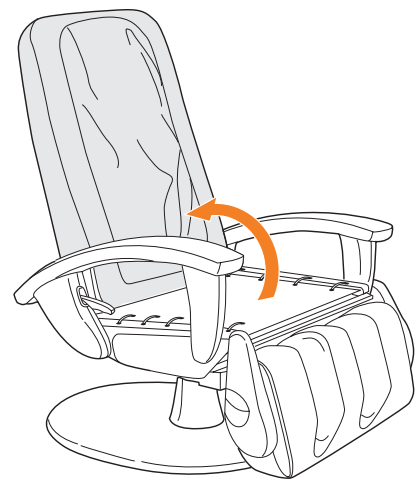
Almohadilla del asiento



Almohadilla del espaldar

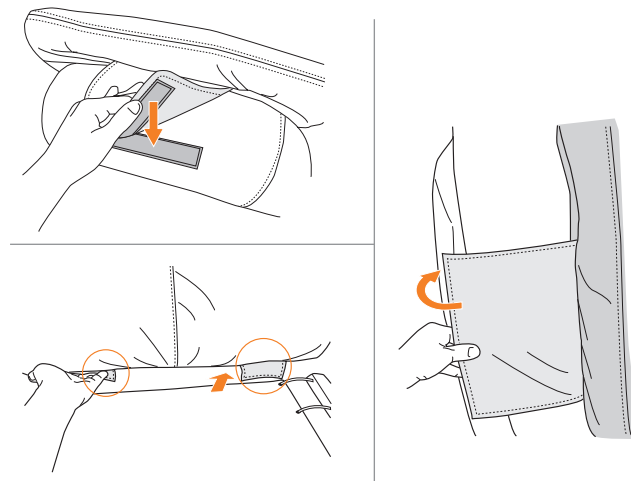


Cojín de la cabeza



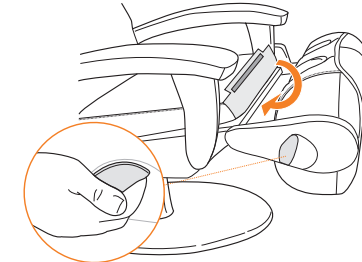
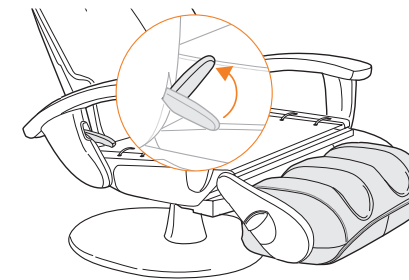
1. Desempaque la silla

Retire todo el material de empaque de la silla. Tire hacia el espaldar para desplegar la silla en posición recta. El espaldar se fija en posición automáticamente.



2. Instale la almohadilla del espaldar.

Asegure la aleta de la almohadilla del espaldar en la parte superior del espaldar. Acomode las dos aletas inferiores por debajo de la parte inferior del espaldar. Asegure cada aleta lateral a cada lado del espaldar. Todas las aletas se aseguran con su cierre mágico.



3. Instale la almohadilla del asiento

Colóquese en el lateral derecho de la silla. Hale la palanca del apoyapies para extender el apoyapies en posición horizontal. Hale el mango de liberación del apoyapies, ubicado a la derecha del apoyapies, y luego rote el apoyapies alejándolo de la silla hasta que esté en posición vertical. Asegure la almohadilla del asiento a la parte posterior del asiento con el cierre mágico. Doble la aleta hacia la parte frontal de la almohadilla del asiento alrededor de la estructura de la silla con el cierre mágico.

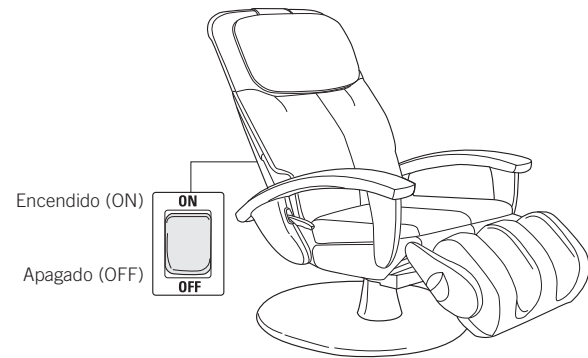
4. Instale el cojín de la cabeza

Doble la aleta en la parte posterior del apoyacabezas hacia arriba y sobre la parte superior de la silla. Ajuste el cojín de la cabeza a la aleta con el cierre mágico. Ajuste la altura del cojín de la cabeza para máxima comodidad.



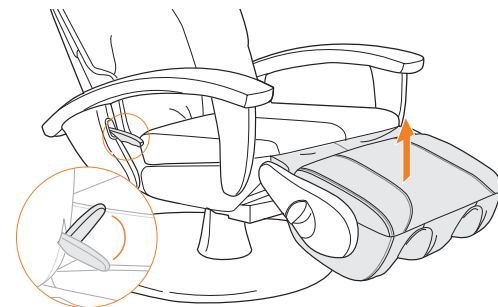
tome asiento

¡Usar la silla de masaje Human Touch es fácil! Siéntese, ajuste el espaldar y el masajeador de pies + pantorrillas en una posición cómoda. La silla de masaje Human Touch le ayuda a sentirse mejor de pies a cabeza, con una variedad de técnicas de masaje que usted controla. Es la forma perfecta de relajarse y refrescarse.



1. Encendido

Conecte el cable de alimentación a una fuente de alimentación de 120 voltios. Coloque el interruptor de alimentación principal (ubicado en la parte inferior central del espaldar) en posición de encendido (On).



2. Ajuste la altura del apoyapies

Sentado en la silla, hale la palanca del apoyapies (ubicada a la derecha de la silla) para levantar el apoyapies a una altura cómoda. Suelte el mango.



espaldar



3. Ajuste el espaldar

Utilice las funciones Reclinar e Inclinarse de control remoto para ajustar el ángulo del espaldar para máxima comodidad.

⚙ Cuando cambie el sentido del masaje del espaldar o de pies + pantorrillas, se produce una leve pausa mientras los engranajes de la silla cambian. Esto es perfectamente normal.



Para cerrar la silla para moverla, presione la palanca de liberación del espaldar ubicada en la parte posterior de la silla y luego empuje el espaldar hacia abajo sobre el asiento de la silla.

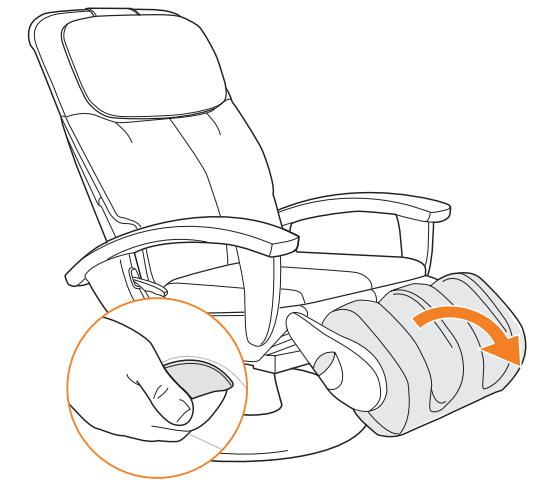
PARA UN MASAJE EN LOS PIES O PANTORRILLAS

1. Abra el masajeador de pies + pantorrillas

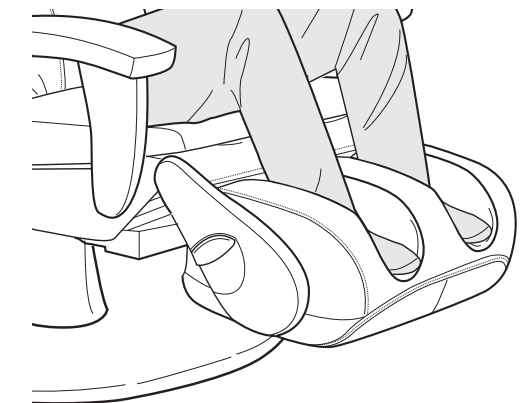
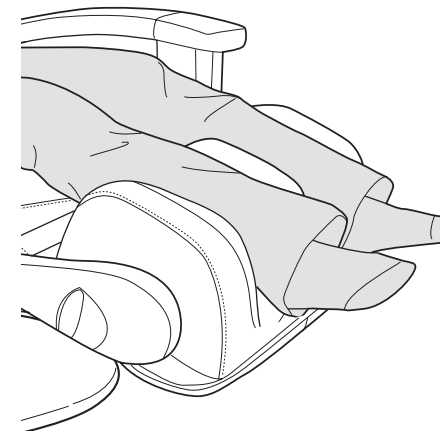
Hale el mango de liberación del apoyapies (ubicado a la derecha del apoyapies).

Para darse un masaje en las pantorrillas, rote el apoyapies alejándolo de la silla hasta que se ajuste en posición con un clic, con el masajeador de pies + pantorrillas cara arriba. **No fuerce la rotación del apoyapies más allá del punto en que se ajusta con un clic. Ejercer demasiada fuerza puede estropear el mecanismo.**

Para darse un masaje en los pies, rote el apoyapies alejándolo de la silla sólo hasta que el masajeador de pies + pantorrillas quede cara arriba. No lo rote demasiado lejos para que se ajuste en posición mediante un clic; el apoyapies debe moverse libremente para masajear los pies.



2. Introduzca las pantorrillas o los pies



No se ponga de pie, ni se siente en el masajeador de pies + pantorrillas.



Antes de salirse de la silla, baje siempre el apoyapies.

Hale la palanca del apoyapies (ubicada a la derecha de la silla) y luego presione con las pantorrillas para devolver el espaldar a su posición vertical.

tome el control

Encendido — Se enciende para indicar que el interruptor de alimentación principal está activo.

Parada — Detiene el masaje y estaciona los rodillos masajeadores en la parte superior del espaldar.

Tres programas de masaje automático con una combinación de técnicas de masaje diseñadas para satisfacer necesidades específicas:

- P1 - Alivio de músculos adoloridos** — Revitaliza el cuerpo mientras alivia los músculos adoloridos. Siéntase aliviado y sin tensión.
- P2 - Terapia antiestrés** — Refresca los sentidos liberando los nudos y torceduras difíciles de eliminar. Ayuda a relajar profundamente después del trabajo o juego.
- P3 - Bienestar de la espalda** — Mantiene los dolores controlados con un masaje personalizado que desvanece el dolor y la tensión en la región lumbar.

Vea en la parte posterior del control un conveniente índice descriptivo del Programa Automático.

Técnicas de masaje manual — Cuatro técnicas de masaje manual le permiten personalizar el masaje.

Alcance — Personaliza el alcance de su masaje vertical.

Power Recline — Reclina e inclina el espaldar.

Ajuste de posición — Use estos botones en combinación con los modos de masaje fijos para llevar los rodillos masajeadores a la posición deseada en el espaldar. Puede presionar este botón antes o después de seleccionar el modo de masaje.

Zone — Dedicado al masaje a una zona de seis pulgadas. Utilice los botones de posición para concentrar el masaje en el área deseada.

Masaje de pies + pantorrillas — Presione este botón para cambiar entre el modo automático (alterna las velocidades automáticamente), y las velocidades alta y baja.

feel better™ stop/park
power
automatic programs
P1 + DEMO
P2
P3
range
backrest
mode
kneading
percussion
compression
rolling
zone
human touch® massage chairs
settings
foot & calf

○ Cuando no esté usando el control remoto, manténgalo en su base a la izquierda de la silla, para tenerlo a mano sin que le moleste.

Ahora seleccione un modo de masaje. La silla de masaje Human Touch le permite personalizar su masaje con una variedad de técnicas de masaje. escoja entre tres modos de masaje fijos y un masaje por ondulación, o combínelos. Utilice el botón Range (Alcance) para personalizar el alcance de su masaje vertical, o los botones Zone (Zona) y Position (Posición) para asignar el masaje a un área específica (vea la página opuesta). También puede dejar que la silla tome el control: escoja uno de los tres programas automáticos, que alternan entre los modos de masaje y seleccionan distintas áreas de su espalda. No importa cómo la use, Robotic Massage Technology™ ofrece máxima flexibilidad y beneficios de masaje.

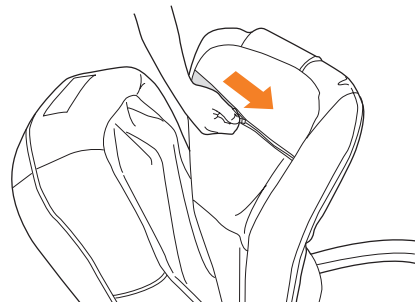
TÉCNICAS DE MASAJE

Modo de masaje	Lo que hace	Beneficios
AMASAMIENTO 	Masajea la espalda con un movimiento circular pequeño a ambos lados de la columna vertebral simultáneamente.	Alivia la tensión y el dolor levantando y encogiendo los músculos. Mejora la circulación y ayuda a llevar los nutrientes vitales al área espinal.
PERCUSIÓN 	Alterna golpes ligeros rápidos a lo largo de la columna vertebral para estimular los músculos y las articulaciones del área espinal mediante la emulación de la técnica masajeadora de percusión que se utiliza en medicina deportiva para la terapia muscular profunda.	Flexiona las articulaciones de la columna y alivia la presión de la columna, con lo cual se vigoriza toda el área de la espalda.
ONDULACIÓN 	Ondula suavemente la espalda hacia arriba y hacia abajo cerca de la columna vertebral.	Calienta y afloja los músculos y prepara la espalda para un masaje más profundo. Alivia la tensión muscular, mejora la circulación y relaja la espalda.
COMPRESIÓN 	Presiona los músculos y las articulaciones del área espinal mediante golpes alternados y un movimiento oscilante suave, emulando una técnica utilizada en medicina deportiva y en la terapia espinal por quiroprácticos.	Extiende y aplica presión sobre el tejido muscular profundo, lo cual lo obliga a relajarse, mientras que el movimiento oscilante afloja las articulaciones de la columna. Ayuda en la reparación muscular y de las articulaciones que se han afectado por el esfuerzo producido por el ejercicio, por permanecer sentado en un escritorio, o simplemente por el estrés diario, y puede mejorar la movilidad y la postura general.

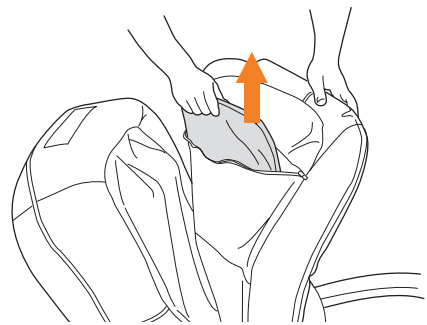
personalice la intensidad del masaje

La almohadilla de suavizado del masaje suaviza la intensidad del masaje. Para un masaje más fuerte, retire la almohadilla de suavizado del masaje.

1. Lleve el cojín de la cabeza hacia la parte posterior de la silla.
2. Desprenda de la silla la parte superior de la banda de cierre mágico de la almohadilla del espaldar.



3. Abra la cremallera horizontal en la parte posterior de la almohadilla del espaldar.



4. Introduzca o retire la almohadilla de suavizado del masaje, según desee.
5. Cierre la cremallera.
6. Asegure la parte superior de la almohadilla del espaldar a la silla con el cierre mágico.
7. Lleve el cojín de la cabeza hacia la parte delantera de la silla.

Las almohadillas de suavizado del masaje de repuesto pueden adquirirse a Human Touch a un costo adicional.

Para experimentar todo el poder de Human Touch sólo retire la almohadilla de suavizado del masaje de la silla. Pero manténgala a mano, en caso de que quiera reemplazarla en el futuro.

cuidado y mantenimiento

Para mantener su producto en funcionamiento y luciendo bien, siga estos pasos simples para su cuidado.

Limpieza:

1. Asegúrese de desconectar el cable de alimentación del tomacorriente antes de limpiar la silla.
2. No utilice benceno ni disolventes en la silla de masaje.
3. Limpie el polvo del espaldar o de los apoyabrazos con una aspiradora.
4. Si el espaldar o los apoyabrazos se manchan limpie con un paño húmedo y luego con un paño seco.
5. Se pueden usar limpiadores comunes para tapicería para las manchas difíciles.
6. Cuando limpie el control o alrededor del interruptor de alimentación, utilice solamente un paño seco. Nunca utilice un paño húmedo para limpiar el control ni el interruptor de alimentación.

Cuidado del material:

Para mantener su producto Human Touch en óptimas condiciones, limpie el polvo de la silla frecuentemente y/o con una aspiradora de cepillo suave. Los productos material de imitación de gamuza también se pueden cepillar con un cepillo para gamuza. Limpie con un paño ligeramente húmedo según sea necesario. Para limpiar las manchas difíciles en productos que no son de cuero, use un detergente suave mezclado con agua. Los productos de cuero se deben limpiar ocasionalmente con una solución limpiadora para muebles de cuero.



ADVERTENCIA:

Asegúrese de probar las soluciones limpiadoras en una superficie pequeña no visible del producto para garantizar que el color no se desvanezca antes de usar la solución en toda la superficie del producto.

Mantenimiento y reparación:

1. La mecánica de este producto está especialmente diseñada y construida para no requerir mantenimiento. No se requiere servicio ni lubricación periódicamente.
2. La silla sólo debe recibir servicio por parte de un centro de servicio autorizado.

Almacenamiento:

1. Cuando no se utilice por un largo período, recomendamos cubrir la silla, enrollar el cable de alimentación y colocar la unidad en un lugar libre de polvo y humedad.
2. No lo conserve cerca del calor, ni de las llamas. No deje este producto expuesto a la luz solar directa por largos períodos de tiempo. Ello puede causar decoloración o daños.

Otras informaciones:

1. No se deben introducir objetos extraños entre los nodos de masaje ni la carcasa de la unidad.
2. Se debe tener cuidado para no sobrecargar la unidad.



ADVERTENCIA: Este producto está equipado con un protector térmico de restablecimiento. Es una característica de seguridad adicional para protegerle a usted y al producto contra el recalentamiento. Si el producto se detiene repentinamente y no arranca, coloque el interruptor principal ubicado en la parte posterior del producto en posición de apagado (Off) y no ponga el producto en funcionamiento al menos durante 30 minutos. Si no apaga el producto, el producto puede reiniciar el funcionamiento de repente mientras se enfría.

garantía limitada

Por favor lea la siguiente información importante de garantía antes de usar la silla de masaje Human Touch.

La misión de Human Touch es diseñar, desarrollar y fabricar productos de masaje innovadores y de alta calidad que creen un estilo de vida mejor y más saludable. Apreciamos su compromiso con nuestra misión y nuestros productos y nos complace informarle que el producto Human Touch que usted compró ofrece una garantía limitada. La garantía le proporciona tranquilidad de cobertura por defectos mecánicos o estructurales de fabricación dentro de los principios y limitaciones de cobertura que se señalan a continuación.

PRINCIPIOS DE COBERTURA:

La garantía comienza en la fecha de compra original y cubre lo siguiente:

- A domicilio (mano de obra): Human Touch enviamos nuestros técnicos para reparar el producto en el domicilio del cliente, sin cargos adicionales.
- Sólo piezas (piezas): Human Touch proveerá las piezas cubiertas por esta garantía sin costo adicional para el cliente.
- Estructura (estructura metálica): Human Touch proveerá las piezas cubiertas por esta garantía sin costo adicional para el cliente.

Sillas Human Touch	Servicio en fábrica	Piezas	Estructura
Productos nuevos	1 año	1 año	5 años
Productos reacondicionados	1 año	1 año	5 años
Modelos de piso vendidos dentro de los seis meses contados a partir de su fecha de exhibición inicial.	1 año	1 año	5 años

En el caso poco probable de que el producto Human Touch presente mal funcionamiento o requiera reparación, comuníquese con su distribuidor. Los clientes en los Estados Unidos pueden comunicarse con Servicio al Cliente de Human Touch a través del número (800) 355-2762 en el horario de 6:00 am a 5:00 pm PST o escribir a cs@humantouch.com para solicitar asistencia. También pueden enviar un fax a Servicio al Cliente al número (800) 840-2940. Todo servicio de garantía requiere la aprobación y autorización de Human Touch.

LIMITACIONES GENERALES:

- Esta garantía sólo es válida en los Estados Unidos y Canadá siempre y cuando el producto se haya utilizado en conformidad con sus instrucciones y no haya sido mal utilizado o deteriorado de ningún modo que vaya más allá del control de Human Touch.
- Todo el servicio cubierto por esta garantía debe ser aprobado por Human Touch y las reparaciones deben ser efectuadas por técnicos autorizados.
- La garantía cubre solamente la silla de masaje. No cubre accesorios ni mejoras.
- Se aplican exclusiones importantes a los elementos cosméticos como tejidos, madera, espuma, almohadillas, cobertores plásticos, etc.
- Human Touch no se hace responsable de ningún modo por pérdidas, daños o inconvenientes causados por las fallas del equipo.
- Para obtener un listado completo de la cobertura exclusiones y limitaciones de la garantía, visite www.humantouch.com.
- La garantía no es aplicable a los usuarios que alquilen el equipo, usuarios de negocios, comerciales, institucionales y otros usuarios no residenciales.
- Se requiere el comprobante de compra (recibo original) para todas las reparaciones en garantía.

GARANTÍA EXTENDIDA:

Human Touch ofrece programas de garantía extendida para mejorar las condiciones de compra del producto Human Touch. Las compras de garantía extendida están disponibles dentro de los 90 días siguientes a la compra del producto Human Touch al minorista o directamente al Departamento de Servicio al Cliente de Human Touch.

Visite humantouch.com para conocer las condiciones y precios más recientes de garantía extendida.

Especificaciones*

Voltaje de operación:	CA 110-120 V, 60 Hz
Consumo de energía:	140 vatios
Tamaño de la silla (reclinada):	68" Largo x 28" Ancho x 20" Alto
Peso del producto:	140 Lbs.
Espacio necesario para reclinarla:	14"
Peso máximo de carga:	285 Lbs.

*Las especificaciones quedan sujetas a cambio sin previo aviso.