



INSTALLATION INSTRUCTIONS-PART 99-7874/99-7874T

APPLICATIONS

Honda Accord 2008-2010

(Excluding dual zone automatic climate controls)

99-7874/ 99-7874T

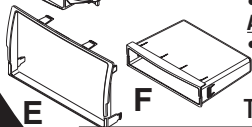
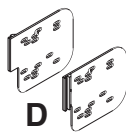
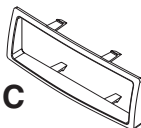
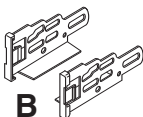
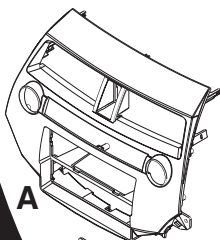
KIT FEATURES

- Painted To Match Factory Dash
99-7874=Charcoal, 99-7874T=Taupe
- DIN Radio Provision with Pocket
- ISO Mount Radio Provision with Pocket
- Double DIN Radio Provision
- Stacked ISO Mount Units Provision



KIT COMPONENTS

- A) Radio Housing • B) ISO Brackets • C) ISO Trim Plate • D) Double DIN Brackets
- E) Double DIN Trim Plate • F) Pocket



WIRING AND ANTENNA CONNECTIONS (Sold Separately)

Harness:

- 70-1729 - Honda harness 2008-up
- 70-1730 - Honda amp interface harness 2008-up

Antenna Adapter:

- 40-HD10 - Honda antenna adapter 2005-up

TOOLS REQUIRED:

- Small Flat Blade Screwdriver/ Panel Removal Tool
- Phillips Screwdriver • Cutting Tool



1-800-221-0932



www.metraonline.com

© COPYRIGHT 2008-2010 METRA ELECTRONICS CORPORATION



TABLE OF CONTENTS

Dash Disassembly

Honda Accord 2008-2010

(Excluding dual zone automatic climate controls)1,2

Kit Preparation3

Kit Assembly

- DIN Mount Radio Provision with Pocket.4

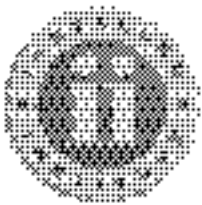
- ISO Mount Radio Provision with Pocket.5

- Double DIN /Stacked ISO Mount Units Provision6

Final Assembly7

***Note:**

Refer also to the instructions included with the aftermarket radio.

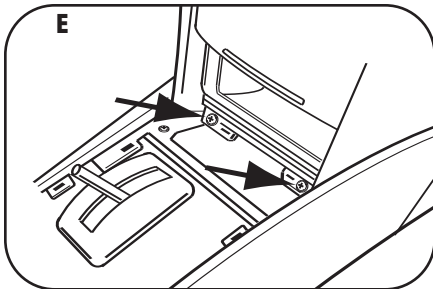
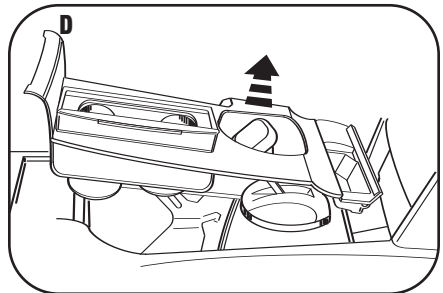
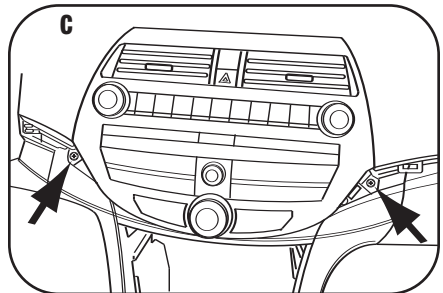
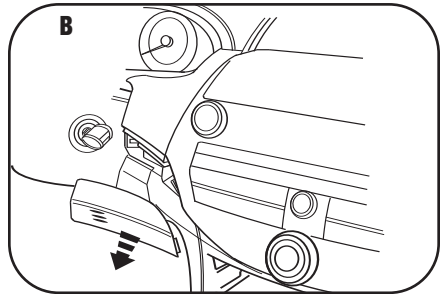
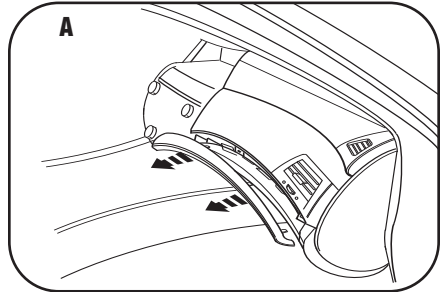


KNOWLEDGE IS POWER
Increase your installation and fabrication skills by reading in the most recognized and respected mobile electronics journal in our industry. Log onto www.metradirectonline.com or call 504-358-0798 for more information and take steps to ensure a better tomorrow.

HONDA ACCORD 2008-2010

- 1** Disconnect the negative battery terminal to prevent an accidental short circuit.
- 2** Unclip and remove the trim panel from above the glove box at the right side of the factory radio. (Figure A)
- 3** Unclip and remove the trim panel at the left side of the factory radio. (Figure B)
- 4** Remove the (2) Phillips screws from the left and right side of the of the factory radio. (Figure C)
- 5** Unclip and remove the top of the center console including the cup holders. (Figure D)
- 6** Remove (2) Phillips screws at the bottom edge of the pocket assembly. (Figure E)
- 7** Remove (2) Phillips screws facing up inside of the pocket below the factory radio. (Figure F)
- 8** Unclip and remove the pocket assembly. (Figure G)

Continue on page 2.



HONDA ACCORD 2008-2010

9 Remove (2) Phillips screws facing up on the bottom of the factory radio. (Figure H)

10 Unclip the factory radio assembly. Unplug and remove the radio assembly. (Figure I)

11 Remove (6) Phillips screws securing the climate controls to the factory radio assembly and remove the controls from the assembly. (Retain the screws and climate controls for re-use during kit preparation.)

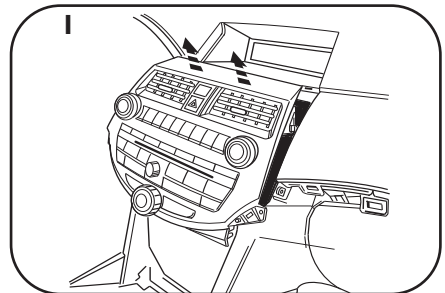
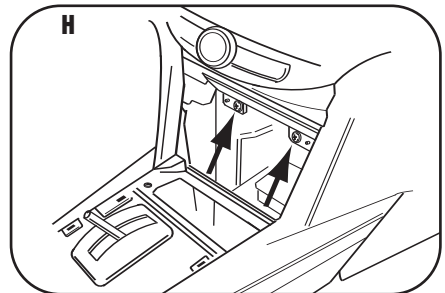
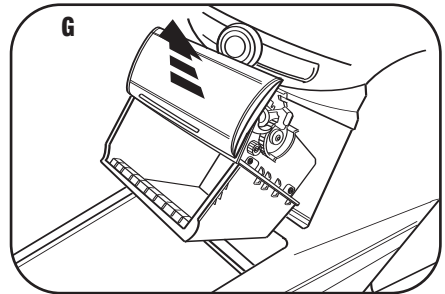
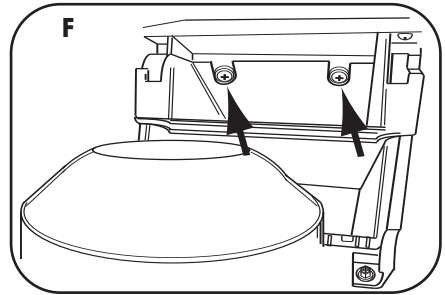
12 Remove (4) Phillips screws securing the a/c vents to the factory radio assembly and remove the a/c vent from the assembly. (Retain the screws and a/c vents for re-use during kit preparation.)

13 Unclip and remove the hazard switch/passenger air bag light assembly. (Retain the hazard switch/passenger air bag light assembly for re-use during kit preparation.)

14 Remove (4) Phillips screws securing trim panel at the bottom edge of the factory radio assembly and remove the trim panel. (Retain the screws and trim panel for re-use during kit preparation.)

15 Remove (9) clips from the back of the factory radio assembly. (Retain the clips for re-use during kit preparation.)

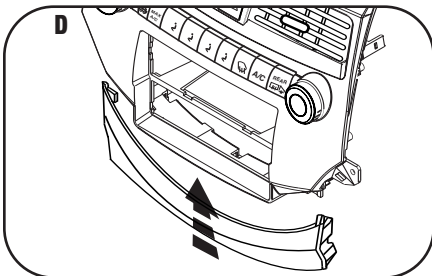
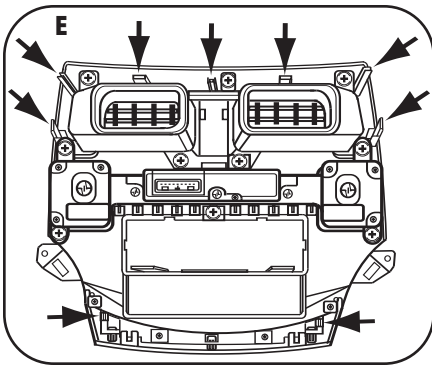
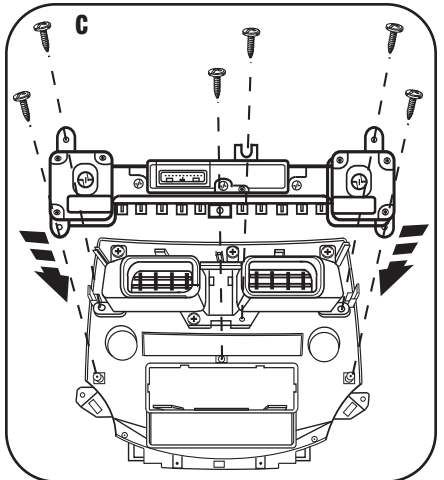
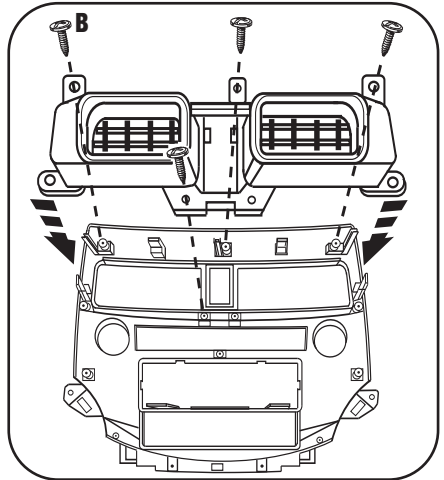
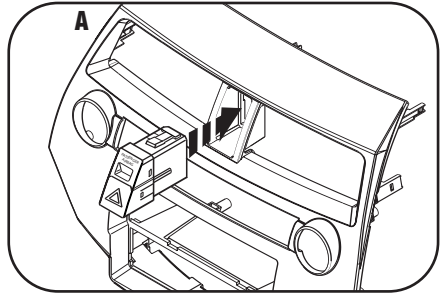
Continue to kit preparation.



HONDA ACCORD 2008-2010

- 1 Snap the hazard switch/passenger air bag light assembly into the radio housing from front. (Figure A)
- 2 Secure the a/c vents into the radio housing using the factory hardware from rear. (Figure B)
- 3 Secure the climate controls into the radio housing using the factory hardware from rear. (Figure C)
- 4 Secure the trim panel onto the radio housing using the factory hardware. (Figure D)
- 5 Attach the clips to the back of the radio housing. (Figure E)

Continue to kit assembly.

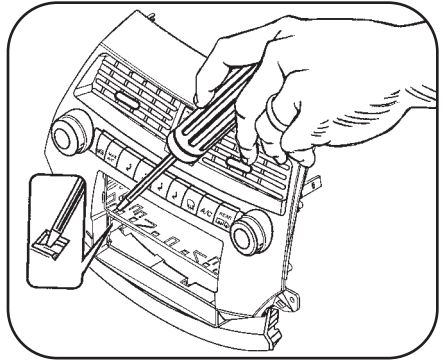
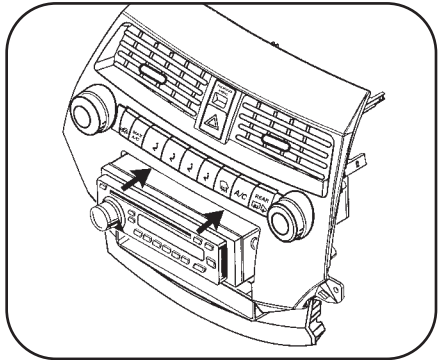
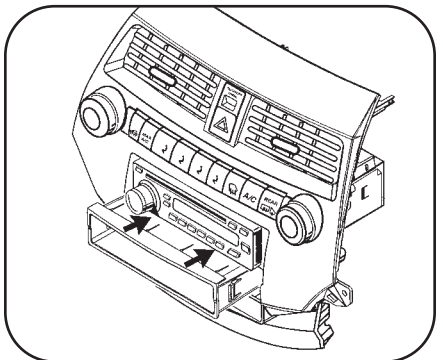


DIN MOUNT RADIO PROVISION WITH POCKET

**Note: Refer also to the instructions included with the aftermarket radio.*

- 1 Slide the DIN cage into the Radio Housing and secure by bending the metal locking tabs outward. (Figure A)
- 2 Slide the aftermarket radio into the DIN cage until it snaps into place. (Figure B)
- 3 Snap the pocket into the radio housing. (Figure C)

Continue to final assembly.

A**B****C**

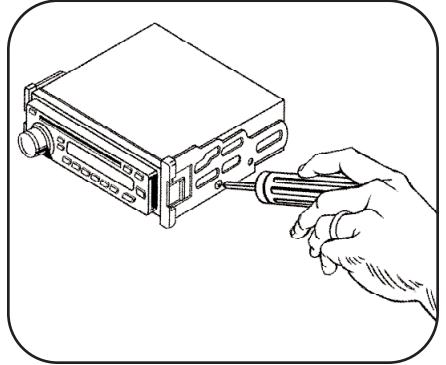
ISO MOUNT RADIO PROVISION WITH POCKET

**Note: Refer also to the instructions included with the aftermarket radio.*

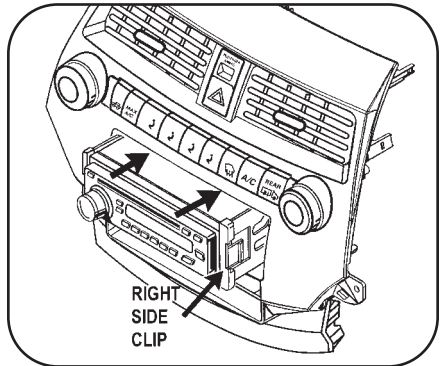
- 1 Mount the ISO Brackets to the radio using the screws supplied with the radio. (Figure A)
- 2 Slide the radio into the Radio Housing until it snaps into place. (Figure B)
- 3 Snap the Trim Plate onto the front of the Radio Housing. (Figure C)
- 4 Snap the Pocket into the Radio Housing. (Figure C)

Continue to final assembly.

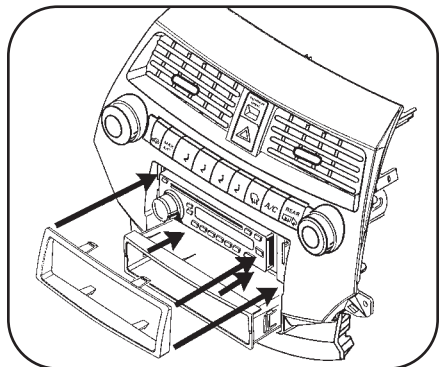
A



B



C

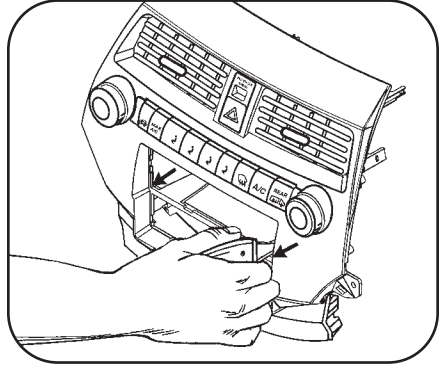
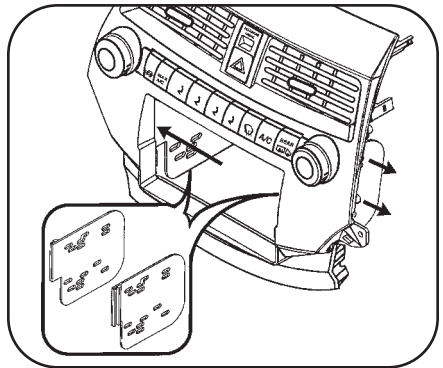
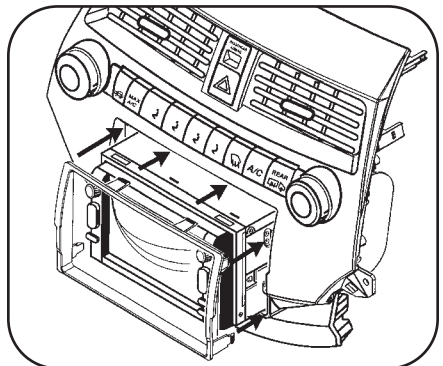


DOUBLE DIN/STACKED ISO MOUNT UNITS PROVISION

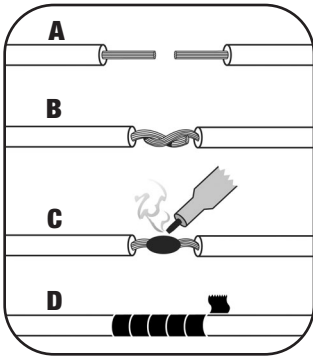
**Note: Refer also to the instructions included with the aftermarket radio.*

- 1** Cut and remove the center bar from the Radio Housing. (Figure A)
- 2** Snap the Double DIN brackets to the inside edge of the Radio Housing. (Figure B)
- 3** Slide the Double DIN or stacked ISO mount units into the bracket/radio housing assembly and secure the unit(s) to the assembly using the screws supplied with the unit(s). (Figure C)
- 4** Snap the Double DIN trim plate onto the front of the Housing/Radio assembly. (Figure C)

Continue to final assembly.

A

B

C


FINAL ASSEMBLY



- (A) Strip wire ends back 1/2"**
- B) Twist ends together**
- C) Solder**
- D) Tape**

- 1** Locate the factory wiring harness in the dash. Metra recommends using the proper mating adapter and making connections as shown. (Isolate and individually tape off the ends of any unused wires to prevent electrical short circuit.)
- 2** Re-connect the negative battery terminal and test the unit for proper operation.
- 3** Reassemble radio and dash assemblies in reverse order of disassembly.

FINAL WIRING CONNECTIONS

Make wiring connections using the EIA color code chart shown below and the instructions included with the head unit. Metra recommends making connections as shown below; Strip, Splice, Solder, Tape. Isolate and individually tape off ends of any unused wires to prevent electrical short circuit.

METRA / EIA WIRING CODE

12V Ignition / Acc.	Red	Right Front (+)	Gray
12V Batt / Memory	Yellow	Right Front (-)	Gray/ Black
Ground	Black*	Left Front (+)	White
Power Antenna	Blue	Left Front (-)	White / Black
Amp Turn-On	Blue / White	Right Rear (+)	Violet
Amp Ground	Black / White	Right Rear (-)	Violet / Black
Illumination	Orange	Left Rear (+)	Green
Dimmer	Orange / White	Left Rear (-)	Green / Black

***NOTE:** When a Black wire is not present, ground radio to vehicle chassis.
All colors may not be present on all leads due to manufacturer's specifications.

99-7874/99-7874T INSTRUCTIONS



1-800-221-0932



www.metraonline.com

REV. 04/21/10 © COPYRIGHT 2008-2010 METRA ELECTRONICS CORPORATION INST99-7874