

High-Quality, Easy-to-Use Compact Photo Printer.

- Light, compact body and an optional battery makes it easy to take this printer with you
- Preview your images on the built-in 2.5" tilt-up LCD
- Enhance your photos with the improved "Portrait Image Optimize"
- Print water resistant photos that last up to 100 years¹ in just 47 seconds²
- Print directly from your memory cards³, compatible digital camera, USB flash drive or wirelessly from a Bluetooth⁴ enabled device



FEATURES

SPEED & QUALITY

Dye-Sub

100
YEARS¹
PRINT

47
sec.²
4"×6"

16.8
million
COLORS


Exif Print

DPOF
Digital Print Order Format

Smooth Skin

EASE OF USE


Borderless Printing


2.5" LCD
Tilt-up


My Colors


ID Photo Print



Red-eye
Correction


Portrait
Image Optimize


Shuffle

NR
Noise Reduction
Technology

CONNECTIVITY


Memory Card³


Camera
Phone
Printing^{4,5}


USB
Memory


PictBridge


Bluetooth⁴
(Optional)

USB

OPTIONAL

BATTERY

CANON
IMAGE
GATEWAY

Windows
Mac

TECHNICAL SPECIFICATIONS

PRINT

Print Features

Borderless/Bordered, Brightness (Manual), Date Print, DPOF⁵, File No. Print, Face Fine Print, ID Photo Print (6 copies of 1 image), Index Print, Layout Print (Fixed Size, 1-up/2-up/4-up/8-up), Movie Print, Potrait Image Optimize (i-Contrast, Noise Reduction), Shuffle (8 /20 images per sheet), Smooth Skin, Wireless Printing (via Bluetooth device)

Print Speed²

Postcard Size Borderless Photo: 47 seconds

Printing Technology

Dye-Sublimation

Print Resolution (Up to)

Color: 300 x 300 dpi

Gradation

256 Levels per color

Paper Sizes

Card Size (2.13" x 3.39"), Postcard (3.94" x 5.83")

Paper Cartridge Capacity

36 Sheets (Postcard size)

MEMORY CARD SUPPORT³

SD™ Memory Card

miniSD™ Card

microSD™ Card

SDHC™ Memory Card

SDXC™ Memory Card

miniSDHC™ Card

microSDHC™ Card

microSDXC™ Card

MultiMediaCard®

MMC*plus* Card

MMC*mobile* Card

MMC*micro* Card

HC MMC*plus* Card

RS-MMC™ Card

CF® Card

Microdrive®

xD-Picture Card™

Memory Stick®

Memory Stick PRO™

Memory Stick Duo™

Memory Stick PRO Duo™

Memory Stick Micro™

GENERAL

Standard Interface

Bluetooth® v2.0⁴ (Optional)

Card Slots (See Memory Card Support)

PictBridge (Cable not included)

USB

USB Flash Drive

General Features

2.5" Tilt-up LCD, 8 Multi Language UI, Battery (Optional), My Colors, PictBridge, Red-Eye Correction, Power Save, Anti-theft Wire Lock Slot (Kensington lock-style)

OS COMPATIBILITY⁷

Windows®7, Windows Vista®, Windows XP and Mac OS® X v10.4 to v10.6.x

SOFTWARE (WINDOWS/MAC)

Setup Software & User's Guide CD-ROM

Canon Utilities

EOS Utility

SELPHY CP800 (Black) Printer Driver

Compact Photo Printer Solution Disk

SELPHY Photo Print

WARRANTY⁸

1-year limited warranty with InstantExchange program. 1-year toll-free technical phone support.

BOX CONTENTS

SELPHY CP800 (Black) Compact Photo Printer

Paper Cassette (Postcard Size)

Trial Standard Paper Pack (Postcard Size)

Trial Ink Cassette (Postcard Size)

Compact Power Adapter

CP Printer Solution Disk

AC Cable

Document Kit:

Support Center List

User Registration Information

Setup Software & User's Guide CD-ROM

User Guide



SELPHY CP800 (Black)

Compact Photo Printer

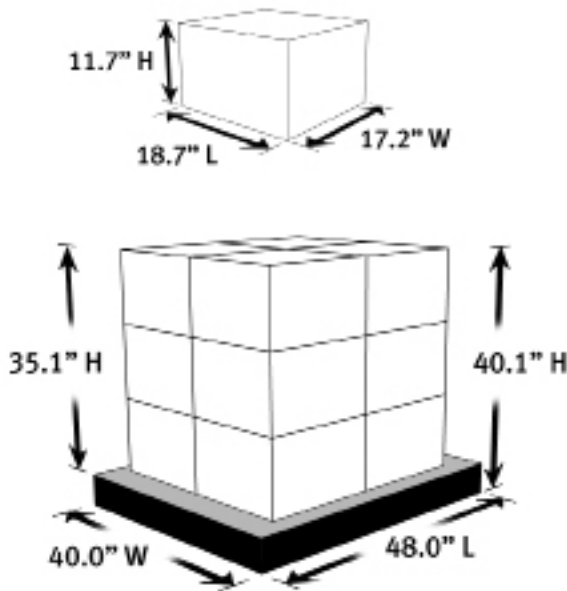
ORDERING INFORMATION

MODEL NUMBER	DESCRIPTION	ITEM NUMBER	UPC CODE
SELPHY CP800 (Black)	Compact Photo Printer	4350B001	
	Master Carton UPC		

OPTIONAL CONSUMABLES			
KC-18IF	Card "Full" Label/Ink Set 18 Sheets * PCC-CP300 Required	7741A001	
KC-18IL	Card "Mini" Label/Ink Set 18 Sheets * PCC-CP300 Required	7740A001	
KC-36IP	Card Size Label/Ink Set 36 Sheets * PCC-CP300 Required	7739A001	
KP-36IP	Postcard/36 Sheets	7737A001	
KP-108IN	Photo Paper/108 Sheets	3115B001	

ACCESSORIES			
BU-30	Bluetooth Adapter	2553B002	
PCC-CP300	Card Size Paper Cassette	2562B001	
NB-CP2L	Battery Pack	0188B001	

FOR REFERENCE ONLY



PALLET INFORMATION

ORIGIN	
Country of Origin	China
Tariff Number	8443321050
PRODUCT INFORMATION	
Individual Printer Dimensions	6.7" (L) x 4.7" (W) x 2.3" (H)
Individual Box Dimensions	10.2" (L) x 9.1" (W) x 5.5" (H)
Master Carton Dimensions	18.7" (L) x 17.2" (W) x 11.7" (H)
Individual Printer Weight	2.0 lbs.
Individual Box Weight	4.0 lbs.
Master Carton Weight	29.4 lbs.
PALLET INFORMATION	
Number of Boxes per Master Carton	6
Number of Master Cartons per Pallet	12
Dimensions (Pallet and MC)	48.0" (L) x 40.0" (W) 40.1" (H)
Dimensions without Pallet	37.4" (L) x 34.4" (W) 35.1" (H)
Loaded Pallet Weight	402.8 lbs.
DATE	
Availability	September 2010

SPECIFICATIONS ARE SUBJECT TO CHANGE WITHOUT NOTICE. ALL VIEWSCREEN AND PRINTER OUTPUT IMAGES ARE SIMULATED

- 1 Based on accelerated dark storage testing by Canon under controlled lighting, temperature and humidity conditions. Canon cannot guarantee the longevity of the prints; results may vary depending on printed images, display/storage conditions and environmental factors.
- 2 Print speed obtained using compatible Canon compact digital camera incorporating DIGIC II (other camera models may vary).
- 3 Compatible memory cards include SD™ Memory Card, SDHC™ Memory Card, SDXC™ Memory Card, MultiMediaCard®, MMCplus Card, HC MMCplus Card, CompactFlash® Card, Microdrive®, Memory Stick®, Memory Stick® PRO™, Memory Stick® Duo™ and Memory Stick® PRO Duo™. The following can be used with the addition of a special adapter sold separately: microSD™ Card, miniSD Card, microSDHC™ Card, miniSDHC™ Card, microSDXC™ Card, RS-MMC™, MMCmicro Card, MMCmobile Card, xD-Picture Card® and Memory Stick Micro™.
- 4 Requires mobile phone (or other device) equipped with Bluetooth v2.0 and optional Canon Bluetooth Unit BU-30. Bluetooth operation depends on the device and software version used. Operating distance is approx. 10 meters but may vary due to obstacles, radio signals, locations where radio interference occurs, magnetic fields from microwave ovens, device sensitivity and/or antenna performance.
- 5 Requires mobile phone equipped with PictBridge technology and a USB cable.
- 6 Supports DPOF "Both" mode of both standard and index printing.
- 7 System requirements vary by application.
- 8 Warranty programs are subject to certain conditions and restrictions. See www.usa.canon.com/support for details.



©2010 Canon U.S.A., Inc. Canon and SELPHY are registered trademarks of Canon Inc. in the United States and may be registered trademarks in other countries. Microsoft, Windows, Windows Vista, the Windows Vista logo, Windows 7 and the Windows 7 logo are trademarks or registered trademarks of Microsoft Corporation in the United States and other countries. Macintosh and Mac are trademarks of Apple Inc., registered in the United States and other countries. The USB-IF logo is a trademark of Universal Serial Bus Implementers Forum, Inc. All other product and brand names are trademarks of their respective owners. As an ENERGY STAR® partner, Canon U.S.A., Inc. has determined that this product meets the ENERGY STAR® guidelines for energy efficiency.



USB

