



Accessory Trim Kit for 52F Room Air Conditioner

Installation Instructions

INTRODUCTION

These instructions cover the installation of the 52F Accessory Trim Kit. The metal Trim Kit is designed to fill in and cover the space between a 52F solid-side air-conditioning unit and wall sleeve.

PACKAGE CONTENTS

ITEM	QUANTITY
Metal Trim Frame	1
Attachment Screws (no. 8)	4

INSTALLATION

▲ WARNING

Disconnect all power to unit to avoid possible electrical shock during installation.

1. Disconnect power to unit.
2. Install 52F unit into wall sleeve, following steps outlined in installation instructions supplied with unit.
3. Position metal trim frame on outside of wall sleeve so that it covers the gap between the wall sleeve and the unit.

NOTE: Position trim kit to cover window kit mounting holes on unit. See Fig. 1.

4. Mark and drill four mounting holes into wall sleeve using a $\frac{9}{64}$ drill bit, as shown in Fig. 1.

IMPORTANT: Avoid drilling through wall sleeve and into unit!

5. Attach metal trim frame to sleeve with 4 screws provided. *Do not overtighten.*
6. Restore power to unit.

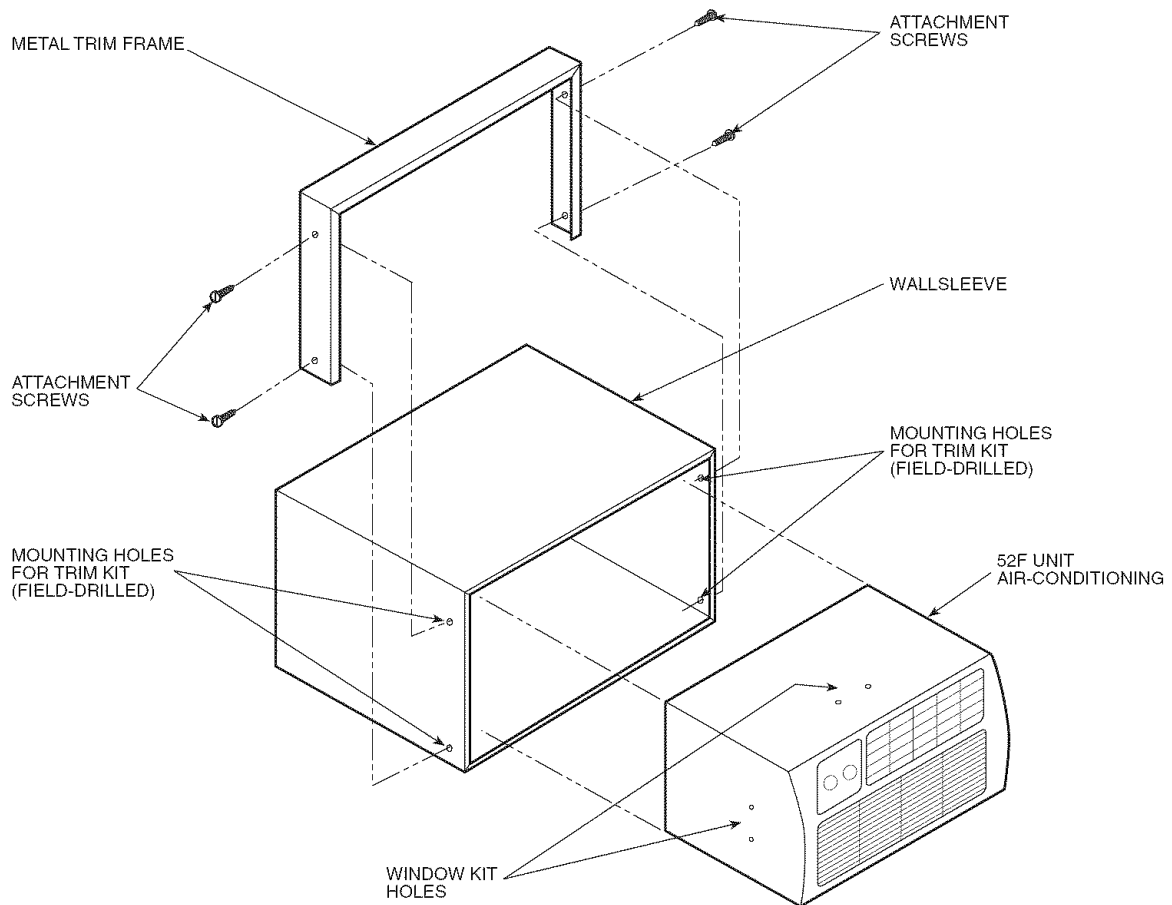


Fig. 1 — Accessory Trim Kit Installation