



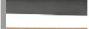

Product Information Sheet

CORE
COLLECTION
by omnimount

Elements 403FP pictured here

Elements 503FP

The Core Collection is OmniMount's tried and true furniture collection made up of two different series of steel and glass A/V furniture. With clean lines, black glass and various high-gloss finishes, these pieces blend seamlessly into any environment. The Elements Series has an all-in-one design and exclusive interchangeable color inserts that reinvents A/V furniture with an adaptable approach to displaying flat panels and components. Ideal for A/V enthusiasts looking for extreme décor flexibility, the Elements 503FP can display large to extra large flat panels in three different configurations and comes with four interchangeable color panel options.

	High gloss black
	Cherry
	Brushed stainless steel
	Walnut

With interchangeable color inserts, the Elements 503FP can change its look as easily as you do

BENEFITS

- Uniquely designed to be used as a flat panel floor stand, or separate video table and mount
- Includes interchangeable inserts for four color options (High gloss black, Cherry, Brushed stainless steel, Walnut)
- Pans 30° left and right to adjust viewing angle (when used as flat panel floor stand)
- Low 1.5" mounting profile (when used as separate wall mount)
- Includes universal adapter for greater panel compatibility
- Lift n Lock™ allows you to easily attach your flat panel to the mount
- Open area shelves accommodate multiple components
- Neatly route and organize wires through cable management post
- Locking system secures panel to mount
- Plastic feet protect floors
- Easy to assemble

SPECIFICATIONS

- Accommodates most 42"- 55" flat panels up to 125 lbs (56.7 kg)
- 8 mm tempered glass top shelf supports up to 125 lbs (56.7 kg)
- Two 6 mm tempered glass component shelves supports up to 50 lbs (22.7 kg)
- Universal and VESA compliant: 75x75 to 400X600
- Dimensions: 50"w x 52.8"h x 20"d (1270mm x 1341mm x 508mm)
- Warranty: 5 years
- Color: Black with black glass

The Elements Series



Elements 503FP



Elements 403FP

Elements 503FP

BENEFITS

- Uniquely designed to be used as a flat panel floor stand, or separate video table and mount
- Includes interchangeable inserts for four color options (High gloss black, Cherry, Brushed stainless steel, Walnut)
- Pans 30° left and right to adjust viewing angle (when used as flat panel floor stand)
- Low 1.5" mounting profile (when used as separate wall mount)
- Includes universal adapter for greater panel compatibility
- Lift n Lock™ allows you to easily attach your flat panel to the mount
- Open area shelves accommodate multiple components
- Neatly route and organize wires through cable management post
- Locking system secures panel to mount
- Plastic feet protect floors
- Easy to assemble

SPECIFICATIONS

- Accommodates most 42" - 55" flat panels up to 125 lbs (56.7 kg)
- 8 mm tempered glass top shelf supports up to 110 lbs (50 kg)
- Two 6 mm tempered glass component shelves supports up to 50 lbs (22.7 kg)
- Universal and VESA compliant: 75x75 to 400X600
- Dimensions: 50" w x 52.8" h x 20" d (1270mm x 1341mm x 508mm)
- Warranty: 5 years
- Color: Black with black glass



	Color	Stock Code	Packaging UPC
Americas	BLK	1004680-1	728901024634
International	BLK	NA	NA

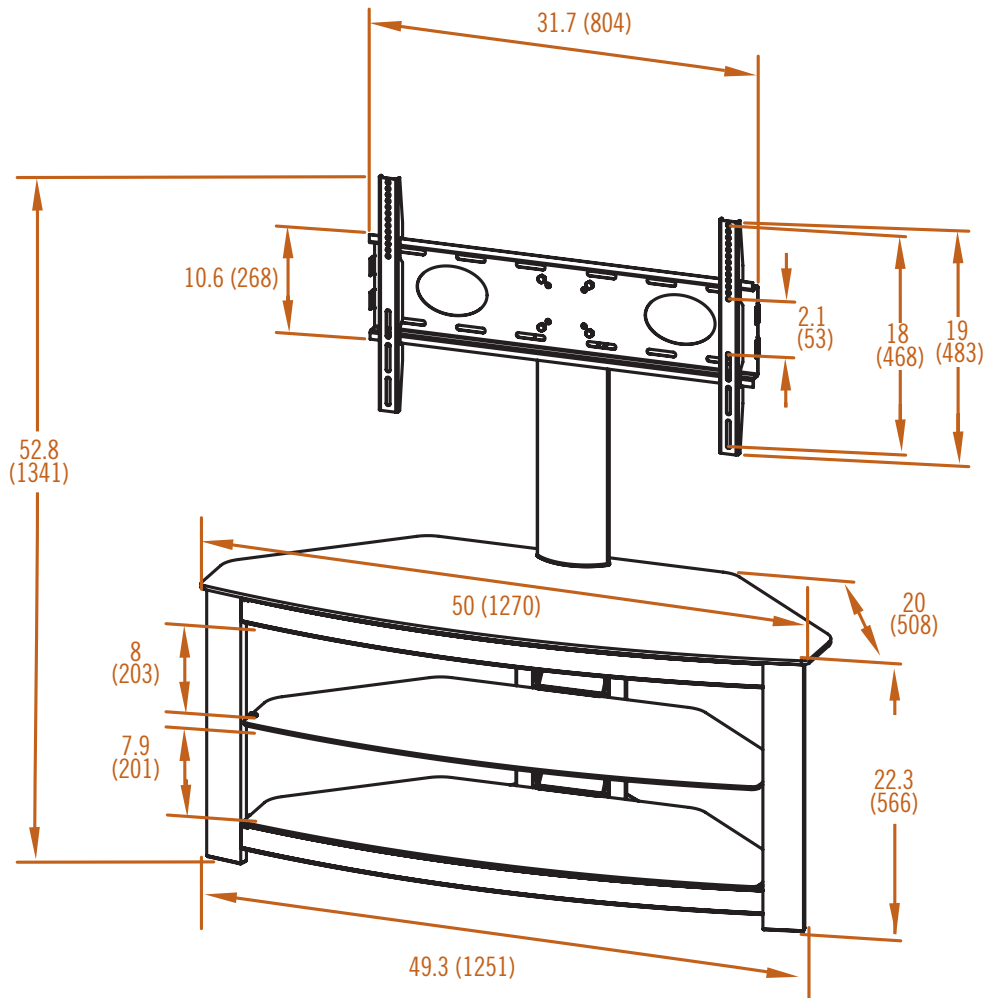
	Dimensions WxDxH inches (mm)	Wt lbs (kg)
Product Box	25.4 x 55 x 6.7 (645x1397x170)	110.2 (50)

Box Contents	Qty
Vertical rail	2
Mount plate	1
Swivel head	1
Column cap	1
Cable management column	3
Column base	1
Top shelf support	2
Middle shelf bracket	2

Box Contents	Qty
Base shelf support	2
Front frame horizontal rail	2
Front frame horizontal inserts	8
Glass shelves	3
Complete furniture assembly hardware kit	1
Complete panel mounting hardware kit	1
Complete panel attachment hardware kit	1
Instruction manual	1

The Core Collection is OmniMount's tried and true furniture collection made up of two different series of steel and glass A/V furniture. With clean lines, black glass and various high-gloss finishes, these pieces blend seamlessly into any environment. The Elements Series has an all-in-one design and exclusive interchangeable color inserts that reinvents A/V furniture with an adaptable approach to displaying flat panels and components. Ideal for A/V enthusiasts looking for extreme décor flexibility, the Elements 503FP can display large to extra large flat panels in three different configurations and comes with four interchangeable color panel options.

Elements 503FP



inches (mm)