

# OB36, OB52, OBS36, OBS52, OBSB162

Document # PG13-001

Revised 05/06/10 Page 1/3



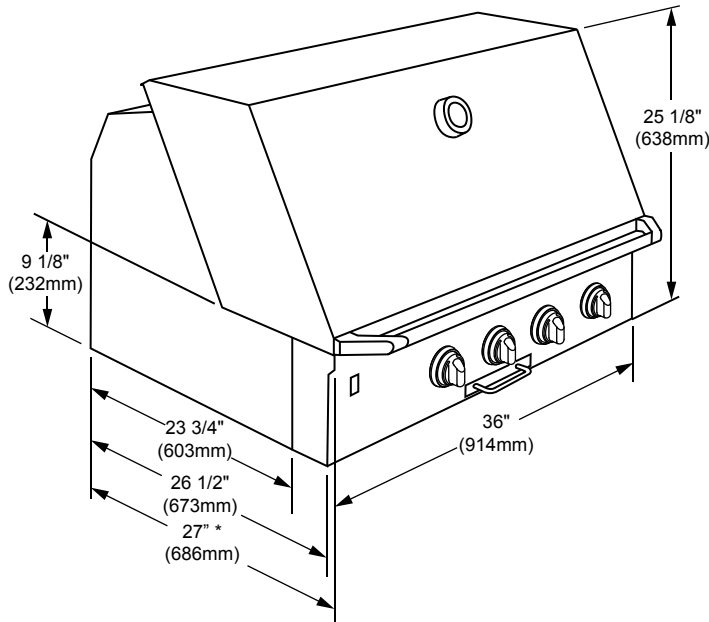
## 36", 52" Wide Outdoor Grills 16" Wide Side Burner

## PLANNING GUIDE

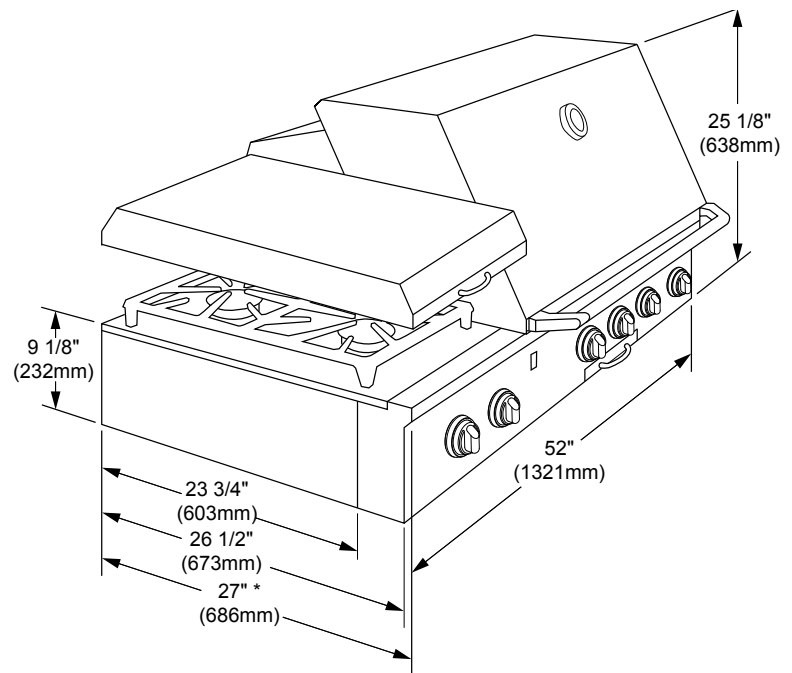
All tolerances: +1/16", -0, (+1.6mm, -0) unless otherwise stated

### WARNING

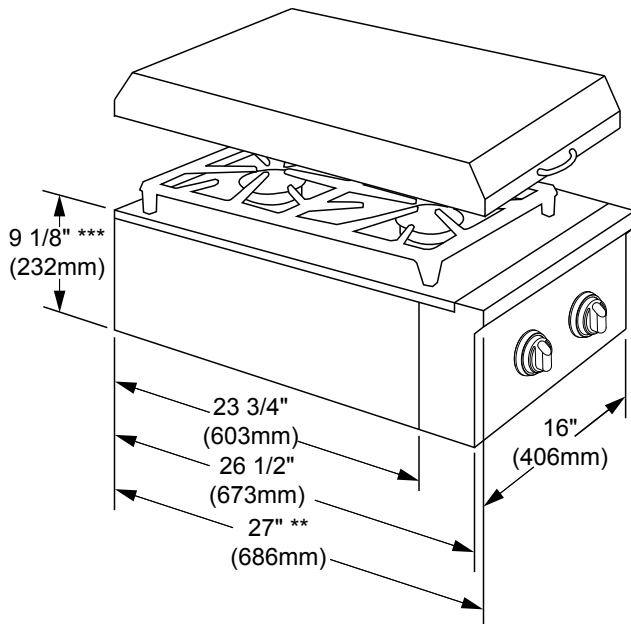
- Observe all governing codes and ordinances during planning and installation. Contact your local building department for further information.
- This appliance must be installed in accordance with the accompanying installation instructions.



**OB/OBS36 OVERALL DIMENSIONS**



**OB/OBS52 OVERALL DIMENSIONS**



**OBSB162 OVERALL DIMENSIONS**

- \*Total depth with handle: 30" (762mm)
- \*\*Total depth with knobs: 28 5/8" (753mm)
- \*\*\*Total height with cover: 12" (305mm)

| Model Type  | Electrical Circuit Required | Total Connected Load | Gas Type | Manifold Pressure | Minimum Gas Supply Pressure |
|-------------|-----------------------------|----------------------|----------|-------------------|-----------------------------|
| Natural Gas | 120 Vac, 60 Hz, 15 Amp.     | 2.9 Amps (0.35 kW)   | Natural  | 4" Water Column   | 5" Water Column             |
| LP Gas      | 120 Vac, 60 Hz, 15 Amp.     | 2.9 Amps (0.35 kW)   | Propane  | 11" Water Column  | 12" Water Column            |

**NOTE:**

Supply access for the rotisserie power or an alternate 120 Vac duplex outlet location.

Specifications subject to change without notice.

Install all appliances according to accompanying installation instructions.

www.Dacor.com

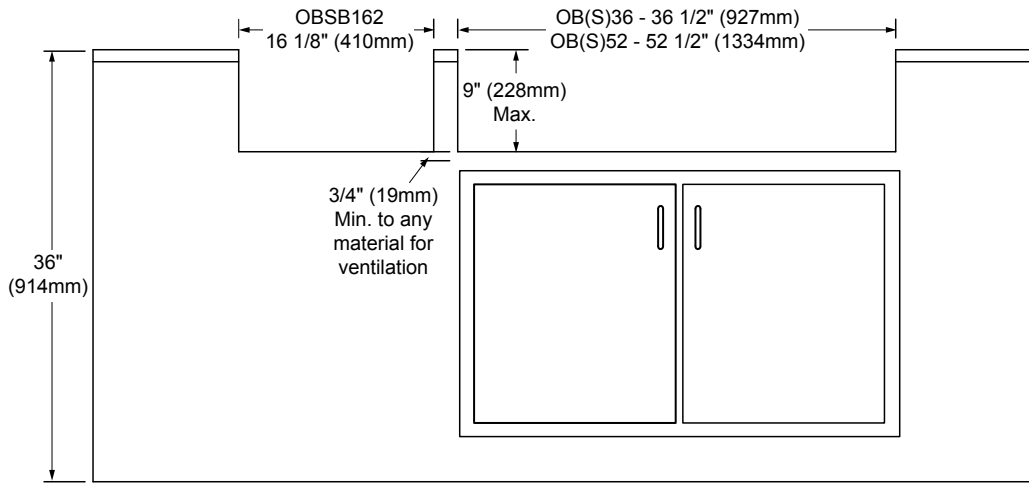
Phone: (800) 793-0093

# OB36, OB52, OBS36, OBS52, OBSB162



## 36", 52" Wide Outdoor Grills 16" Wide Side Burner

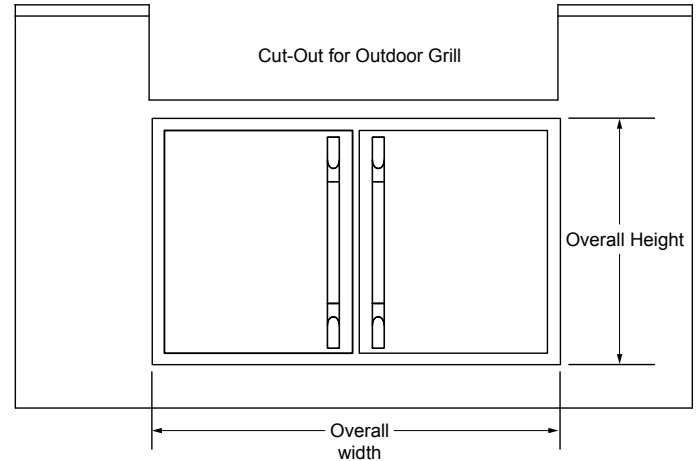
## PLANNING GUIDE



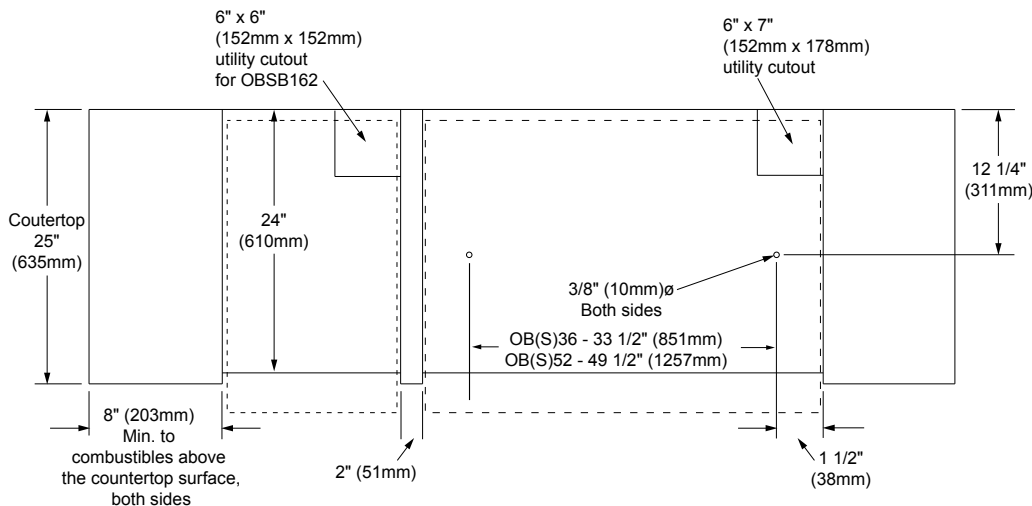
**OBSB162 & OB/OBS/36/52  
CUTOUT DIMENSIONS, FRONT VIEW  
(OBAD 36" ACCESSORY DOOR SHOWN)**

| Specifications  | Measurements   |
|-----------------|--|
| Overall Width   | OBAD20 - 19 1/2" (495mm)<br>OBAD36 - 35 7/8" (911mm) |
| Overall Height  | 21" (533mm)  |
| Overall Depth   | 1/4" (6mm) deep return on frame edge                 |
| Cutout Width    | OBAD20 - 16 3/4" (425mm)<br>OBAD36 - 33 1/8" (841mm) |
| Cutout Height   | 18 3/4" (476mm)                                      |
| Cutout Depth    | 3" (76mm) Minimum                                    |
| Number of doors | OBAD20 - 1<br>OBAD36 - 2                             |

**ACCESSORY DOOR CUTOUT DIMENSIONS**



**OBADXX ACCESSORY DOOR  
DIMENSIONS, FRONT VIEW  
(OBAD36 SHOWN)**



**OBSB162 & OB/OBS/36/52  
CUTOUT DIMENSIONS, TOP VIEW**

All tolerances: +1/16", -0, (+1.6mm, -0) unless otherwise stated

# OB36, OB52, OBS36, OBS52, OBSB162

Document # PG13-001

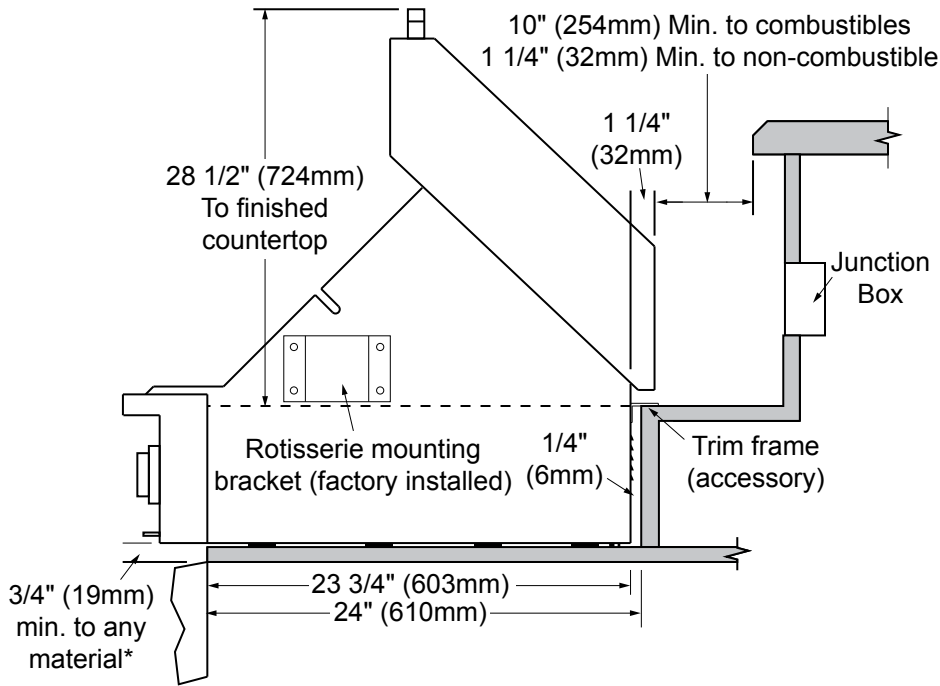
Revised 05/06/10 Page 3/3



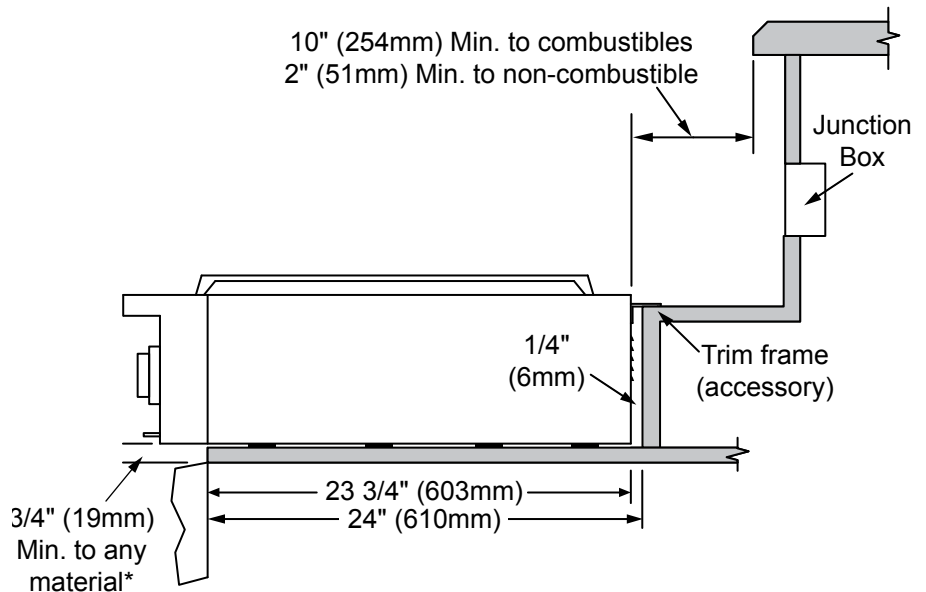
## 36", 52" Wide Outdoor Grills 16" Wide Side Burner

## PLANNING GUIDE

All tolerances: +1/16", -0, (+1.6mm, -0) unless otherwise stated



**OB36, OBS36, OB52 AND OBS52  
CUTOUT DIMENSIONS, SIDE VIEW**



**OBSB162 CUTOUT DIMENSIONS  
SIDE VIEW**



Specifications subject to change without notice.

Install all appliances according to accompanying installation instructions.

www.Dacor.com

Phone: (800) 793-0093

13.3