



# Freestanding Ranges

XFEF3005L<sup>1</sup> W/Q

30" Electric



## Product Dimensions

Height	48-1/2"
Width	29-7/8"
Depth	28-1/2"

## More Easy-To-Use Features

Manual Clean Oven

Lift-Up Porcelain Cooktop

Chrome Drip Bowls

Towel-Bar Handle

2 Oven Racks

Available in:



White  
(W)



Bisque  
(Q)

Elements	Size	Watts
Right Front	6"	1,250
Right Rear	8"	2,100
Left Front	8"	2,100
Left Rear	6"	1,250

<sup>1</sup>Contract Sales Only Model.

## Signature Features

### Store-More™ Storage Drawer

Our convenient drawer gives you extra storage space in your kitchen.

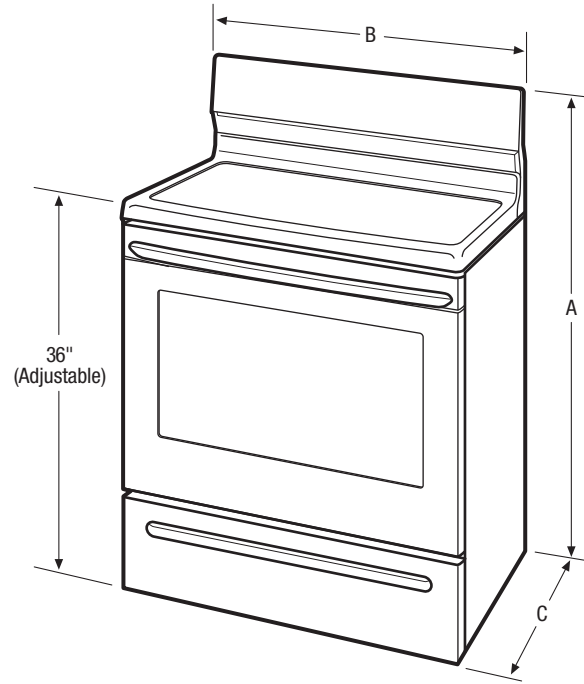
### Color-Coordinated Oven Door with Large Window

Stylish look with a large window makes it easy to check on what's cooking without opening the door.

### Bright Lighting

Our bright lighting makes it easy to see what's inside.

Features	
Oven Control/Timing System	Mechanical/No
Surface Type	Color-Coordinated Porcelain
Window	Large
Exterior Door Finish	Color-Coordinated
Handle Design	Color-Coordinated
Exterior Finish (Side Panels)	Color-Coordinated
Convection System	
Oven Cleaning System	Manual Clean
Drawer Functionality	Storage
Oven Controls	
Bake	Yes
Broil	Yes
Add-a-Minute	
Delay Bake	
Self-Clean	
Quick Clean Option	
Delay Clean	
Kitchen Timer	
Timed Cook Option	
Auto Oven Shutoff	
Cooktop Features	
Right Front Element (Watts)	6" - 1,250
Right Rear Element (Watts)	8" - 2,100
Left Front Element (Watts)	8" - 2,100
Left Rear Element (Watts)	6" - 1,250
Center Element (Watts)	
Hot Surface Indicator Light	
Coil Cooktop/Drip Bowls	Yes/Chrome
Oven Features	
Capacity (Cu. Ft.)	4.2
Oven Light	1
Hidden Bake Element	
Rack Configuration	2 Standard
Even Baking System	
Broiling System	Standard
Bake Element/Broil Element (Watts)	2,600/3,000
Specifications	
Oven Interior (H x W x D)	15-7/8" x 23" x 19-3/16"
Power Supply Connection Location	Middle Bottom Rear
Voltage Rating	240V/208V/60 Hz
Connected Load (kW Rating) @ 240/208 Volts	10.0/7.5
Minimum Circuit Required (Amps)	40
Shipping Weight (Approx.)	144 Lbs.



NOTE: For planning purposes only. Always consult local and national electric codes. Refer to Product Installation Guide for detailed installation instructions on the web at [frigidaire.com](http://frigidaire.com).



Product Dimensions		Cutout Dimensions	
A - Height	48-1/2"	Height (standard)	36"
B - Width	29-7/8"	Width (min.)	30"
C - Depth	28-1/2"	Depth (min.)	24"
Depth with Door Open 90°	44-5/8"		

Accessories information available on the web at [frigidaire.com](http://frigidaire.com)