

Installation Instructions

Self-Cleaning Radiant Electric Slide-In Range

JSP42, JS968, JS900, JS905

If you have questions, call 1.800.GE.CARES or visit our website at: ge.com

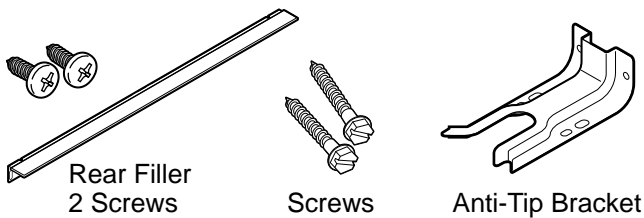
Before You Begin

Read these instructions carefully and completely.

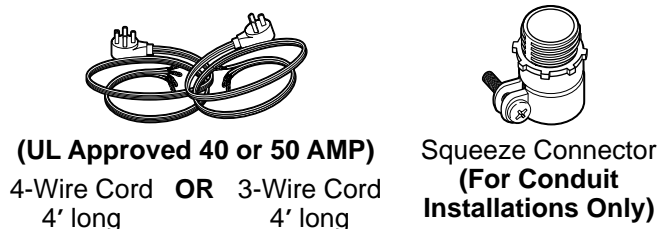
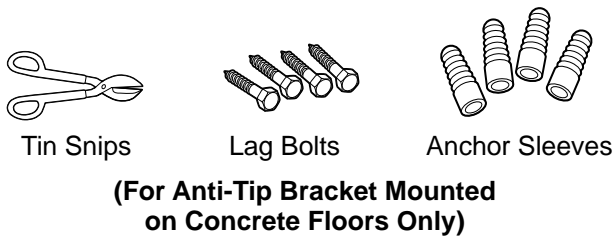
- **IMPORTANT**—Save these instructions for local inspector's use.
- **IMPORTANT**—Observe all governing codes and ordinances.

- **Note to Installer**—Be sure to leave these instructions with the consumer.
- **Note to Consumer**—Keep these instructions for future reference.
- **Proper installation is the responsibility of the installer and product failure due to improper installation is NOT covered under warranty.**
- **NOTE**—This appliance must be properly grounded.

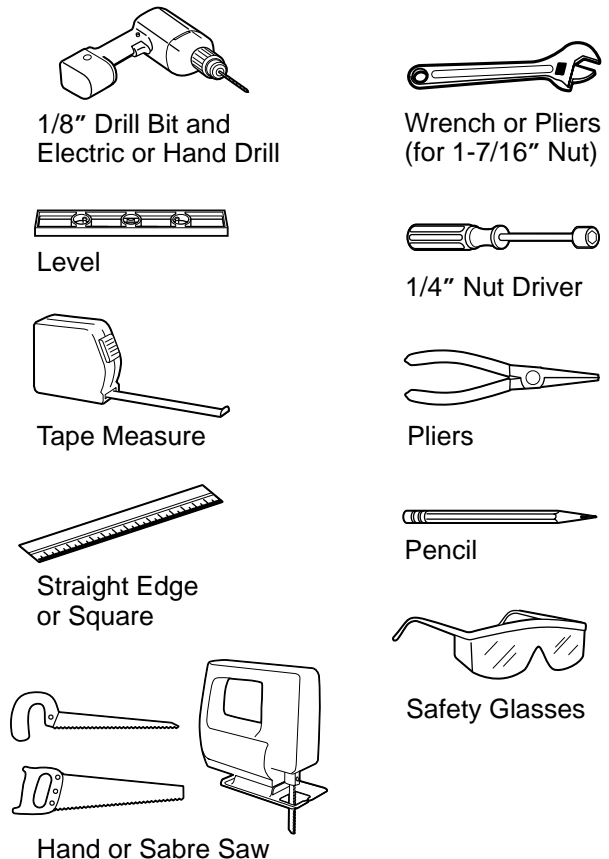
PARTS INCLUDED



MATERIALS YOU MAY NEED




TOOLS YOU WILL NEED



Installation Instructions

IMPORTANT SAFETY INSTRUCTIONS


For Your Safety

 **WARNING:** For personal safety, remove house fuse or open circuit breaker before beginning installation. Failure to do so could result in serious injury or even death.

All rough-in and spacing dimensions must be met for safe use of your range. Electricity to the range can be disconnected at the outlet without moving the range if the outlet is in the preferred location (remove lower drawer).

To reduce the risk of burns or fire when reaching over hot surface elements, cabinet storage space above the cooktop should be avoided. If cabinet storage space is to be provided above the cooktop, the risk can be reduced by installing a range hood that sticks out at least 5" beyond the front of the cabinets. Cabinets installed above a cooktop must be no deeper than 13".

Be sure your appliance is properly installed and grounded by a qualified technician.

 **WARNING:** To reduce the risk of tipping, the appliance must be secured by properly installing the Anti-Tip bracket packed with the appliance.



 **WARNING**

- All ranges can tip
- Injury to persons could result
- Install anti-tip bracket packed with range
- See Installation Instructions

If you pull the range out and away from the wall for any reason, make sure the Anti-Tip bracket is engaged when the range is pushed back against the wall.

Installation Instructions

✓ Pre-Installation Checklist

✓ Inspect Installation Location

Refer to alternate construction section for the following non-standard installations.

a. Counter opening extends to the wall:

Maintop Filler (supplied with the range.) (See page 15, section AA, for Installation Instructions) or

Backguard (Kit JXS36XX or JXS39SS). See page 15.

b. Counter height greater than 36-3/4":

Lower Trim Slide-In (Kit JXS56XX).

c. One side is not enclosed by a cabinet:

Bodyside (Kit JXS76XX).

d. Island Installation:

To provide an optimum installation, the top surface of the countertop must be level and flat (lie on the same plane) around the 3 sides that are adjacent to range cooktop. Proper adjustments to make the top flat should be made or gaps between the countertop and range cooktop may occur. Forcing the cooktop to fit may cause excessive gaps and could break the glass and void the warranty.

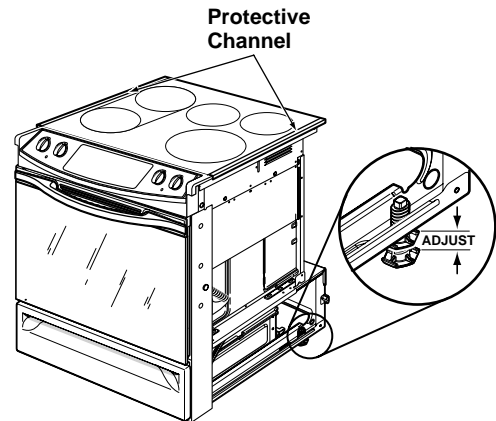
To obtain Kits:

- Visit GE Web Site (See page 1)
- Call GE Answer Center (See page 1)
- Contact Dealer

✓ Move range indoors in front of cabinet opening.
(Do not use hand trucks when moving the unpackaged range. Cooktop glass may be broken.)

✓ Protect the kitchen floor! Flatten and place a piece of the shipping carton in front of the installation location to protect the flooring.

✓ Do not remove the protective channel from the sides of the glass cooktop, if applicable, until later in the installation.



✓ Carefully, tilt the range to access the range leveling legs. Use an adjustable wrench to screw leveling legs out so that glass support flanges clear top of countertop.

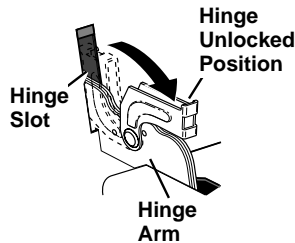
Installation Instructions

✓ Pre-Installation Checklist cont.

Door removal is not a requirement for installation of the product, but is an added convenience. To remove the door:

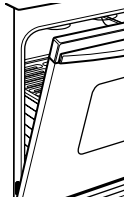
✓ Open the oven door as far as it will go.

✓ Push both hinge locks down toward the door frame, to the unlocked position. This may require a flat blade screwdriver.

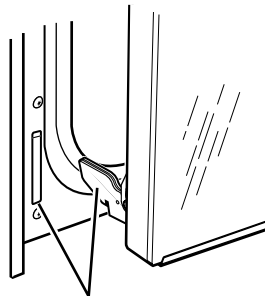


DO NOT LIFT THE DOOR BY THE HANDLE!

✓ Place hands on both sides of the door, and close the oven door to the removal position. This is half way between the broil stop and fully closed.



✓ Lift door up and out until the hinge arms clear the slots.



Hinge Clears Slot

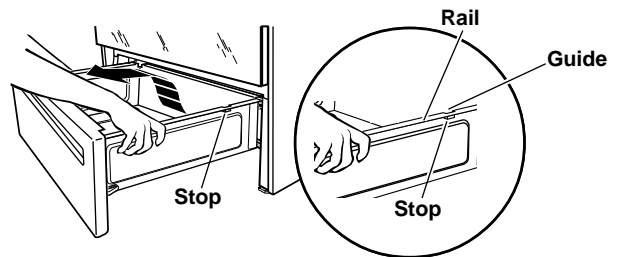
NOTE: The oven door is very heavy. Be sure you have a firm grip before lifting the oven door off the hinges. Use caution once the door is removed. Do not lay the door on its handle. This could cause dents or scratches.

✓ Remove packing materials. Remove labels on door, plastic on trim and panel, and all tape around the range.

Storage Drawer Removal

✓ Pull the drawer out until it stops.

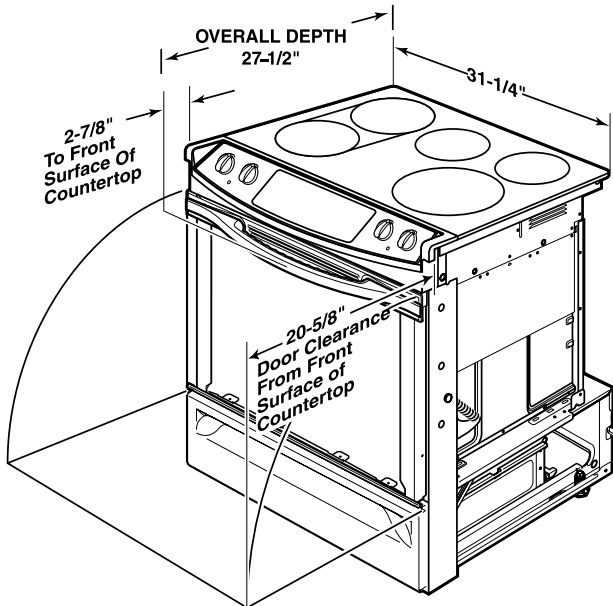
✓ Lift the front of the drawer until the stops clear the guides.



✓ Pull forward and remove the drawer.

Installation Instructions

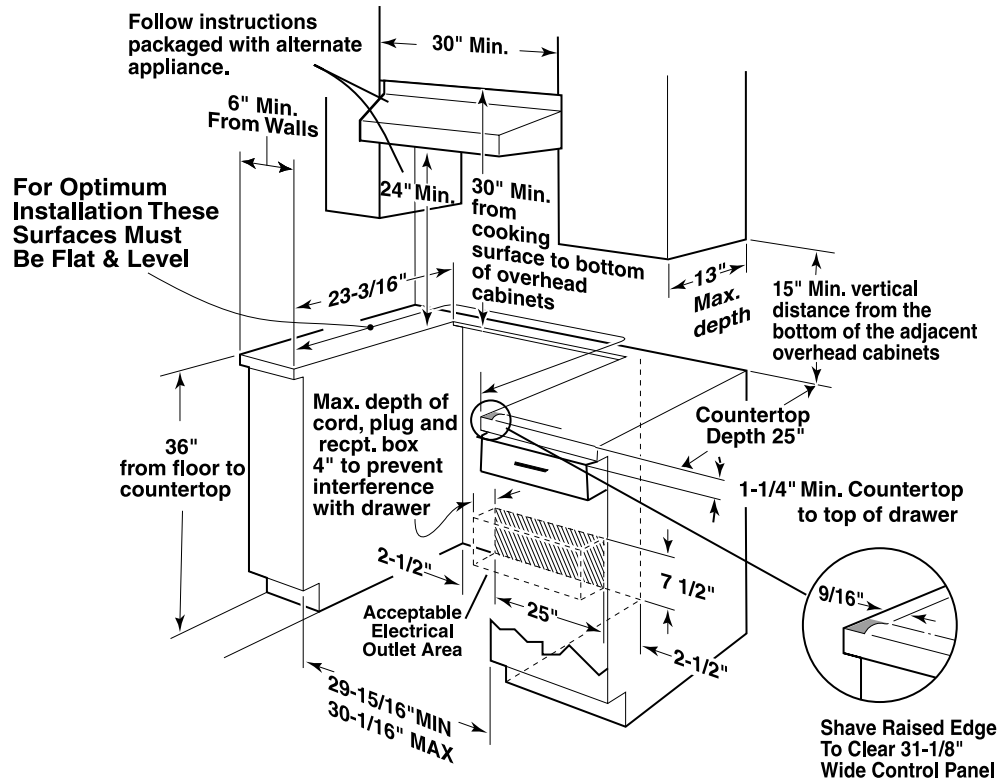
1 Pre-Installation Cutout and Required Clearances



If cabinets are placed less than 30" above the range, see Alternate Construction, section AF, on page 16.

30" ranges conform to U.L. requirements for 0" spacing from vertical walls below countertops. Allow 1/4" minimum clearance at the back wall above the countertop.

Wall coverings, counters and cabinets around range must withstand heat (up to 194°F) generated by the range.



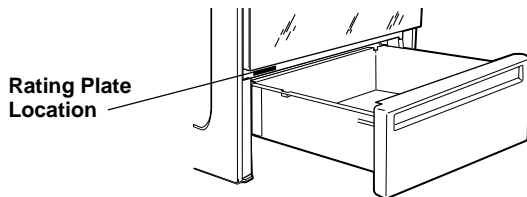
Installation Instructions

Electrical Connections

ELECTRICAL REQUIREMENTS

⚠ CAUTION: For personal safety, do not use an extension cord with this appliance. Remove house fuse or open circuit breaker before beginning installation.

This appliance must be supplied with the proper voltage and frequency, and connected to an individual properly grounded branch circuit, protected by a circuit breaker or fuse having amperage as specified on the rating plate. The rating plate is located above the storage drawer on the oven frame.



We recommend you have the electrical wiring and hookup of your range connected by a qualified electrician. After installation, have the electrician show you where your main range disconnect is located.

Check with your local utilities for electrical codes which apply in your area. Failure to wire your oven according to governing codes could result in a hazardous condition. If there are no local codes, your range must be wired and fused to meet the requirements of the National Electrical Code, ANSI/NFPA No. 70—Latest Edition. You can get a copy by writing:

National Fire Protection Association
Batterymarch Park
Quincy, MA 02269

Effective January 1, 1996, the National Electrical Code requires that new construction (not existing) utilize a 4-conductor connection to an electric range. When installing an electric range in new construction, follow Steps 3 and 5 for 4-wire connection.

You must use a 3-wire, single-phase A.C. 208Y/120 Volt or 240/120 Volt, 60 hertz electrical system.

If the electrical service provided does not meet the above specifications, have a licensed electrician install an approved outlet.

Use only a 3-conductor or a 4-conductor UL-listed range cord. These cords may be provided with ring terminals on wire and a strain relief device.

A range cord rated at 40 amps with 125/250 minimum volt range is required. A 50 amp range cord is not recommended but if used, it should be marked for use with nominal 1-3/8" diameter connection openings. Care should be taken to center the cable and strain relief within the knockout hole to keep the edge from damaging the cable.

- Because range terminals are not accessible after range is in position, flexible service conduit or cord must be used.

NOTE: If conduit is being used, go to Step 3D and then to Step 6 or 7.

- On some models, a filter capacitor may be connected between the black and white leads on the junction block.



ALL NEW CONSTRUCTIONS, MOBILE HOMES AND INSTALLATIONS WHERE LOCAL CODES DO NOT ALLOW GROUNDING THROUGH NEUTRAL, REQUIRE A 4-CONDUCTOR UL-LISTED RANGE CORD.

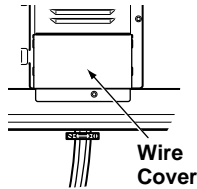
Installation Instructions

Electrical Connections cont.

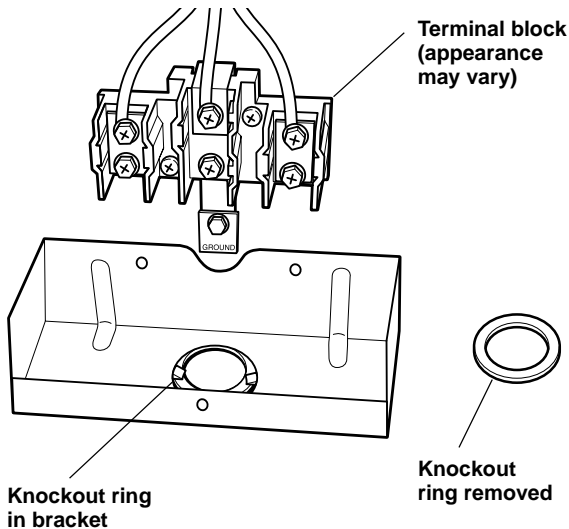
3 POWER CORD AND STRAIN RELIEF INSTALLATION

A Remove the wire cover (on the back of the range) by removing 2 screws, using a 1/4" nut driver.

Do not discard these screws.

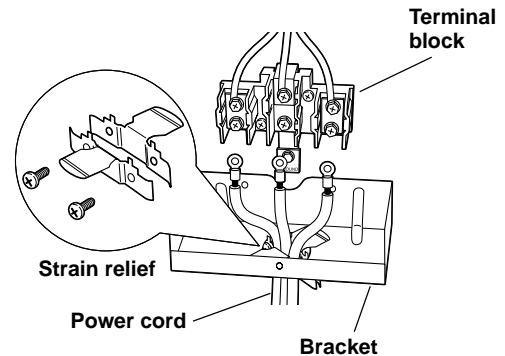


B Remove the knockout ring (1-3/8") located on bracket directly below the terminal block. To remove the knockout, use a pair of pliers to bend the knockout ring away from the bracket and twist until ring is removed.



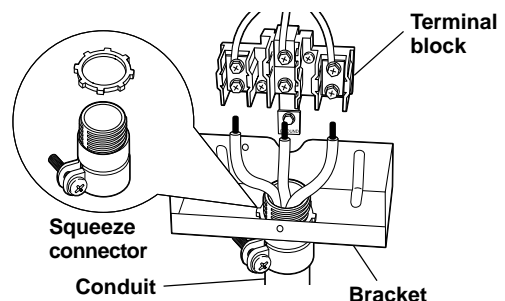
C For power cord installations only (see the next step if using conduit), assemble the strain relief in the hole. Insert the power cord through the strain relief and tighten. Allow enough slack to easily attach the cord terminals to the terminal block. If tabs are present at the end of the winged strain relief, they can be removed for better fit.

NOTE: Do not install the power cord without a strain relief. The strain relief bracket should be installed before reinstalling the rear range wiring cover.



D For conduit installations only, purchase a squeeze connector matching the diameter of your conduit and assemble it in the hole. Insert the conduit through the squeeze connector and tighten. Allow enough slack to easily attach the wires to the terminal block.

NOTE: Do not install the conduit without a squeeze connector. The squeeze connector should be installed before reinstalling the rear range wiring cover.



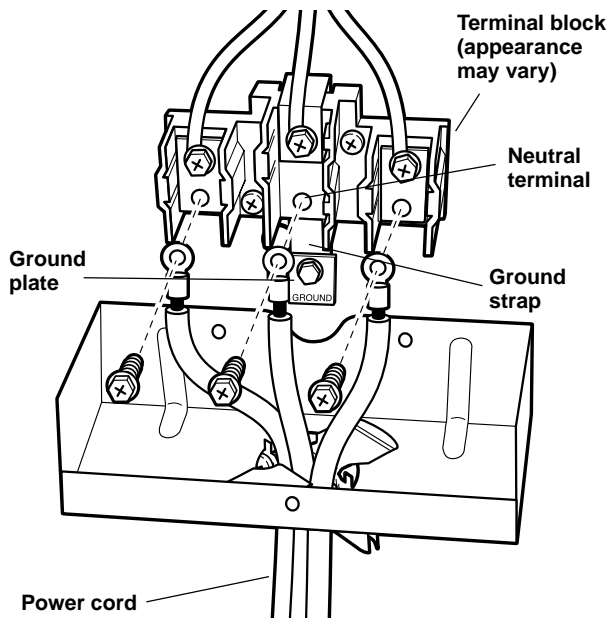
Installation Instructions

Electrical Connections cont.

4 3-WIRE POWER CORD INSTALLATION

⚠ WARNING: The neutral or ground wire of the power cord must be connected to the neutral terminal located in the center of the terminal block. The power leads must be connected to the lower left and the lower right terminals of the terminal block.

A Remove the 3 lower terminal screws from the terminal block. Insert the 3 terminal screws through each power cord terminal ring and into the lower terminals of the terminal block. Be certain that the center wire (white/neutral) is connected to the center lower position of the terminal block. Tighten screws securely into the terminal block. **DO NOT remove the ground strap connection.**



B Skip to Step 8 and proceed with the installation.

5 4-WIRE POWER CORD INSTALLATION

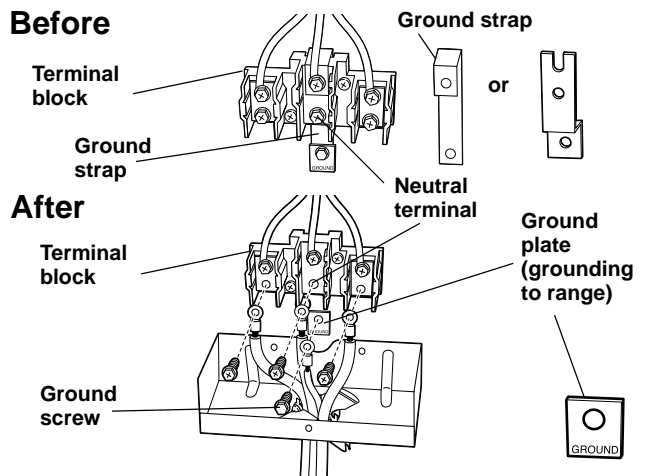
⚠ WARNING: The neutral wire of the supply circuit must be connected to the neutral terminal located in the lower center of the terminal block. The power leads must be connected to the lower left and the lower right terminals of the terminal block. The 4th grounding lead must be connected to the frame of the range with the ground plate and the ground screw.

A Remove the 3 lower terminal screws from the terminal block. Remove the ground screw and ground plate and retain them.

B Cut and discard the ground strap. **DO NOT DISCARD ANY SCREWS.**

C Insert the one ground screw into the power cord ground wire terminal ring, through the ground plate and into the frame of the range.

D Insert the 3 terminal screws (removed earlier) through each power cord terminal ring and into the lower terminals of the terminal block. Be certain that the center wire (white/neutral) is connected to the center lower position of the terminal block. Tighten screws securely into the terminal block.



E Skip to Step 8 and proceed with the installation.

Installation Instructions

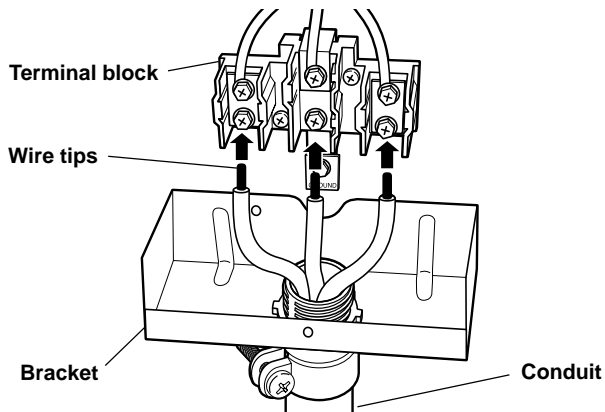
Electrical Connections cont.

6 3-WIRE CONDUIT INSTALLATION

- A** Loosen the 3 lower terminal screws from the terminal block. Insert the center bare wire (white/neutral) tip through the bottom center terminal block opening. On certain models, the wire will need to be inserted through the ground strap opening and then into the bottom center block opening. Insert the two side bare wire tips into the lower left and the lower right terminal block openings. Tighten the screws until the wire is firmly secured (35 to 50 inch-lbs.). Do not over-tighten the screws since it could damage the wires.

NOTE: ALUMINUM WIRING:

Aluminum building wire may be used but it must be rated for the correct amperage and voltage to make connection. Connect wires according to this Step 6 or Step 7 depending on number of wires.

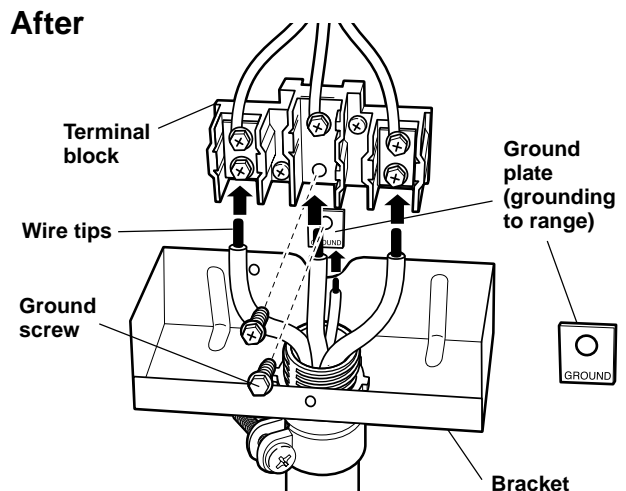
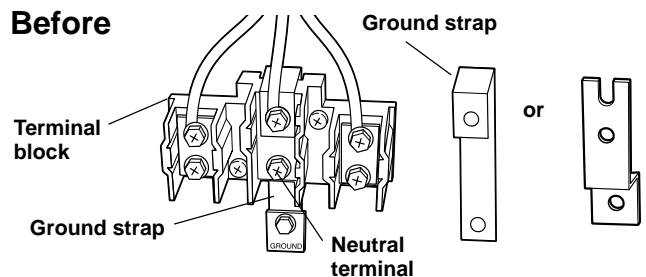


Wire used, location and enclosure of splices, etc., must conform to good wiring practices and local codes.

- B** Skip to Step 8 and proceed with the installation.

7 4-WIRE CONDUIT INSTALLATION

- A** Loosen the three lower terminal screws from the terminal block. Remove the ground screw and ground plate and retain them. **Cut and discard the ground strap. DO NOT DISCARD ANY SCREWS.**
- B** Insert the ground bare wire tip between the range frame and the ground plate (removed earlier) and secure it in place with the ground screw (removed earlier). Insert the bare wire (white/neutral) tip through the bottom center of the terminal block opening. Insert the two side bare wire tips into the lower left and the lower right terminal block openings. Tighten the screws until the wire is firmly secured (35 to 50 inch-lbs.). Do not over-tighten the screws since it could damage the wires.



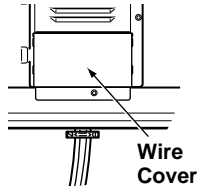
- C** Proceed to Step 8.

Installation Instructions

Installing the Range

8 REPLACE THE WIRE COVER

Replace the wire cover (on the back of the range) by replacing the 2 screws removed earlier.

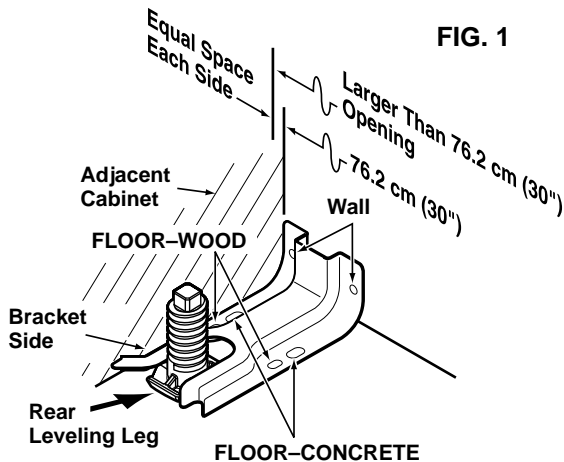


NOTE: When reinstalling the wire cover, make sure that wires do not become pinched between the wire cover and the housing.

9 LOCATING THE ANTI-TIP BRACKET

A Decide whether the bracket will be installed on the right or left side of the range opening.

B Place the bracket as shown in Fig. 1.



⚠ WARNING:

Range must be secured by **Anti-Tip bracket** supplied.

See instructions to install (supplied with bracket).

Unless properly installed, the range could be tipped by stepping or sitting on the door. Injury may result from spilled hot liquids or from the range itself.

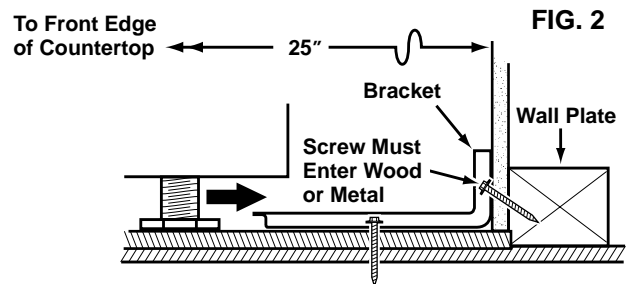
10 INSTALLING THE BRACKET IN WOOD OR CONCRETE

INSTALLATION—WOOD CONSTRUCTIONS

A Locate the centers of the 4 holes identified in Fig. 1 as Floor-Wood and Wall.

B Drill a 1/8" pilot hole through the pre-marked areas. Note the angle of the wall screw in Fig. 2.

C Mount the Anti-Tip bracket with the 4 screws provided.



INSTALLATION—CONCRETE CONSTRUCTIONS

A For concrete installation, you will need two 1/4" x 1-1/2" lag screws and two sleeve anchors.

B Locate the center of the 4 holes identified in Fig. 1 as Floor-Concrete and Wall. Drill the recommended size holes in each.

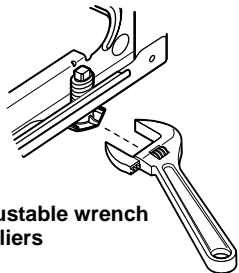
C Install the sleeve anchors into the predrilled concrete holes and install the lag and wall screws through the Anti-Tip bracket. Make sure the screws are securely tightened.

Installation Instructions

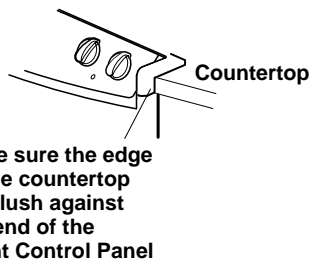
Installing The Range cont.

11 SLIDE RANGE INTO OPENING

- A** Position the range in front of the cabinet opening.
- B** Make sure that the glass which overhangs the countertop clears the countertop. If necessary, raise the unit by lowering the leveling legs.
- C** Push while lifting the range into the opening, until the range is within 2" of engaging the anti-tip bracket.
- D** Remove the protective trim from the side of glass (if provided).
- E** Using the adjustable pliers or wrench, carefully screw in the back leveling leg until the glass overhang comes to rest on the countertop.

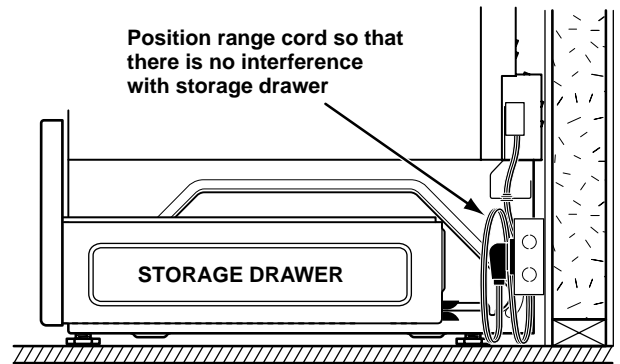


- F** Then carefully screw in the front two leveling legs (similar to E) until the glass overhang touches the countertop.
- G** Carefully push the range into the opening until the countertop fully engages the control panel. The back glass overhang should cover the cutout opening.



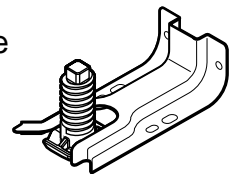
11 SLIDE RANGE INTO OPENING (cont.)

- H** Plug the range cord into the receptacle. Locate the cord in the back of the range in a manner that it will not touch or be moved by the drawer.



12 FINAL CHECK OF THE ANTI-TIP BRACKET

When installation is complete and the range is in place, check to be sure that the rear leveling leg is fully inserted into the slot of the Anti-Tip Bracket.



Installation Instructions

Installing The Range cont.

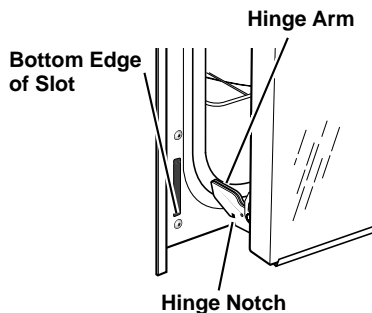
13 REPLACING THE OVEN DOOR

NOTE: The oven door is heavy. You may need help lifting the door high enough to slide it into the hinge slots. Do not lift the door by the handle.

- A** Lift the oven door by placing one hand on each side. The door is heavy, so you may need help. Do not lift the door by the handle.

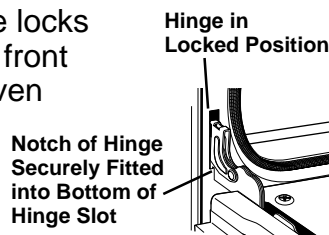


- B** With the door at the same angle as the removal position (halfway between the closed and broil stop position), seat the notch of the hinge arm into the bottom edge of the hinge slot. The notch of the hinge arm must be fully seated into the bottom of the slot.



- C** Open the oven door as far as it will open.

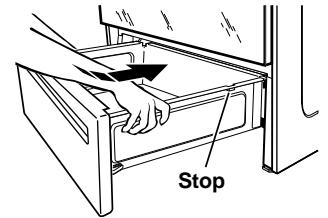
- D** Push the hinge locks up against the front frame of the oven cavity, to the locked position.



- E** Close the oven door.

14 REPLACING THE STORAGE DRAWER

- A** Place the drawer rail on the guides.



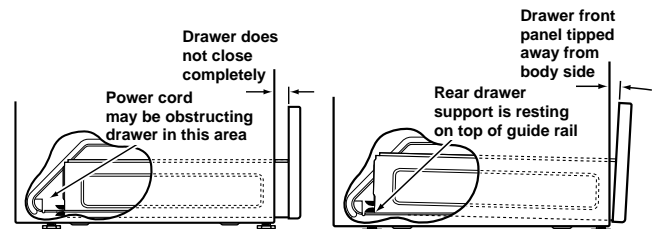
- B** Push the drawer in until it stops.

- C** Lift the front of the drawer and push in until the stops clear the guides.

- D** Lower the front of the drawer and push in until it closes.

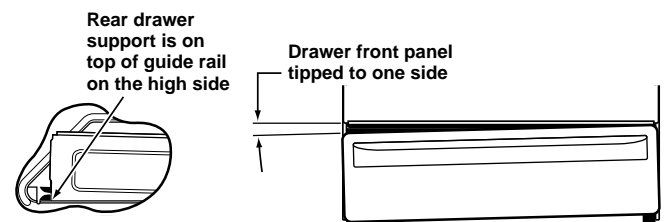
SPECIAL INSTRUCTIONS IF YOU ARE HAVING PROBLEMS WHILE REPLACING THE STORAGE DRAWER

If Drawer Won't Close:



Remove and replace, making sure the power cord is not obstructing the drawer and/or the rail is in the guide.

If Drawer Is Crooked:



Remove and replace, making sure the rail is in the guide.

Installation Instructions

Final Checklist

- Check to make sure the circuit breaker is closed (Reset) or the circuit fuses are replaced.
- Be sure power is in service to the building.
- Check to be sure that all packing materials and tape on metal panel (if applicable) under control knobs and drawer have been removed.

Operation Checklist

- Check to make sure the Clock display is energized. If a series of horizontal red lines appear in the display, disconnect power immediately. Recheck the range wiring connections. If change is made to connections, retest again. If no change is required, have building wiring checked for proper connections and voltage. It is recommended that the clock be changed if the red lines appear.
- Push down and turn any one of the four surface knobs to "MED" setting to observe that the element glows within 15 seconds. Turn the knob off when glow is detected. If the glow is not detected within the time limit, recheck the range wiring connections. If change is required, retest again. If no change is required, have building wiring checked for proper connections and voltage.

Installation Instructions

Alternate Construction

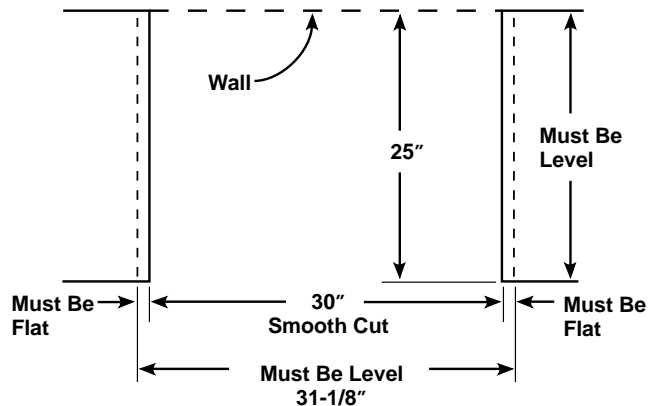
AA OPTIONAL MAINTOP FILLER OR BACKGUARD KIT

If counter opening extends to the wall, it will require Maintop Filler Kit (supplied with the range) or Backguard Kit (JXS36XX or JXS39SS) to close the gap.

NOTE: If the countertop is greater than 25", it will show a gap between the backguard and wall or between filler kit and the wall.

If the countertop is less than 25", a gap will occur between the countertop front and the control panel ends (see section 11G on page 12).

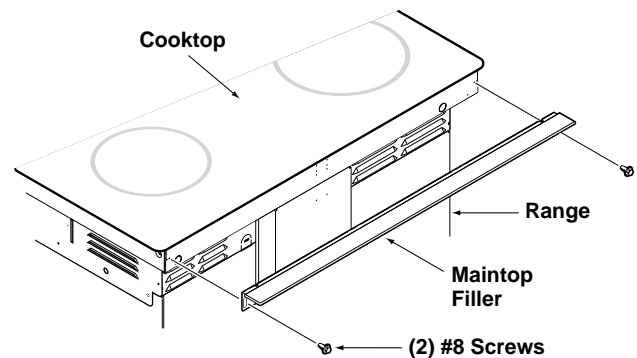
If you are using the optional backguard kit, refer to the backguard kit instructions for installation details.



If you use the filler kit, place the metal filler piece supplied with the range to the back of the range as shown in the figure below. Start the 2 screws into the upper holes at the outside rear of the range above the louvers and through the slots in the trim, holding the filler piece centered on the maintop frame and pushing upward to close the gap between the bottom of the glass and the filler trim.

When the trim is set in the proper position, tighten the 2 mounting screws. The top of the trim should be located below the top surface of the glass to prevent pots, pans and skillets from damaging the painted parts.

Refer to the Standard Installation of the Range beginning on page 6.

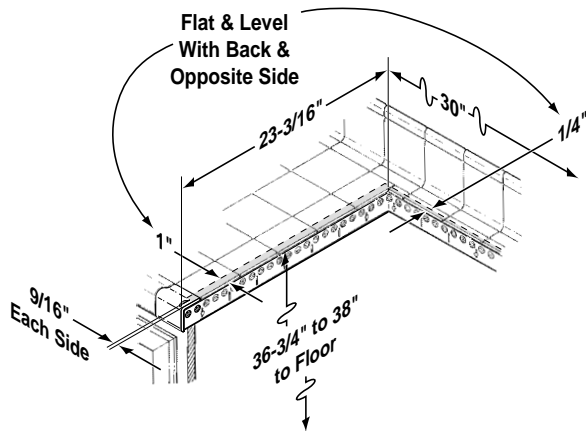


Installation Instructions

Alternate Construction cont.

AB COUNTERTOPS HIGHER THAN 36-1/2"

If countertop height is between 36-1/2" and 38", a lower trim kit (JXS56XX) is recommended. Refer to the kit instructions for installation details.



AC FOR NON-BUILT-IN INSTALLATION (END OF CABINET LOCATION)

When installing the range at the end of a cabinet section which will expose the unfinished side of the range, use Body Side Kit (JXS76XX). Refer to the kit instructions for installation details.

AD ISLAND INSTALLATION

Attach the Anti-Tip bracket per instructions in section D, making sure that the rear of the bracket is 25" from the front of the countertop.

Be aware that the screws provided are long and may penetrate through the back of the island cabinets. In this event, use shorter screws (not provided) or the screws provided should be used in the floor (see Section D for Wood/Concrete Floor Installation).

Do not use Backguard Kit JXS36XX or JXS39SS.

AE FOR CABINET OPENINGS APPROXIMATELY 30-3/8"

If range is installed in cabinet opening approximately 30-3/8", the Vertical Side Trim Kit (JXS86XX) should be used to cover gaps between range sides and cabinet. Refer to the kit instructions for installation details.

AF CABINETS OVER THE RANGE LESS THAN 30"

If a 30" clearance between cooking surface and overhead combustible material or metal cabinets cannot be maintained, protect the underside of the cabinets above the cooktop with not less than 1/4" insulating millboard covered with sheet metal not less than 0.0122" thick.

