



Unpack the Printer

- Please confirm the included items against the illustration printed on the lid of the packing box or in the Quick Start Guide.
- A USB cable is necessary to connect the printer with your computer.

Important

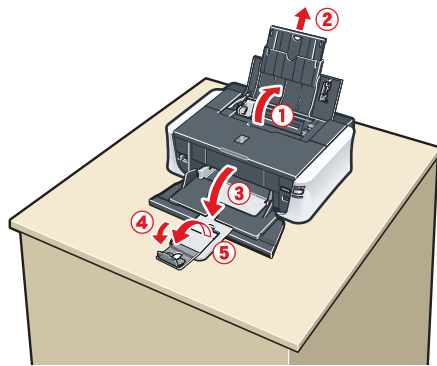
When cleaning the exterior of the printer, use a soft cloth to wipe it gently. For details, refer to "Cleaning Your Printer" in the Quick Start Guide.

# 1 Prepare the Printer

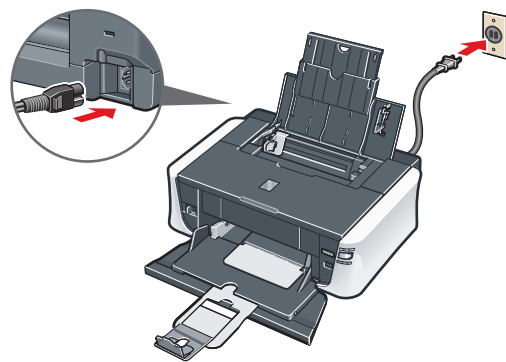
1 Place the printer on a flat and horizontal surface, and do not place any objects in front of the printer.

Open the Rear Tray and extend the Paper Support. Open the Front Tray, and extend the Output Tray Extension.

**Caution**  
Before turning on the printer, remove all the shipping tapes.

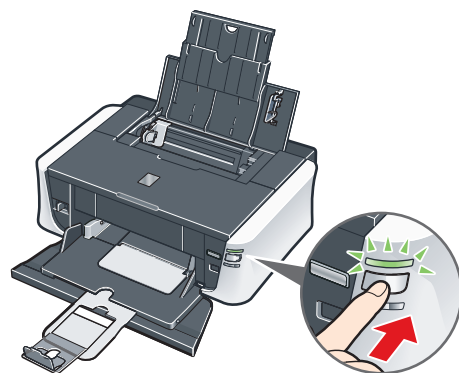


2 Plug the power cord in the back of the printer and connect the other end to the wall outlet.

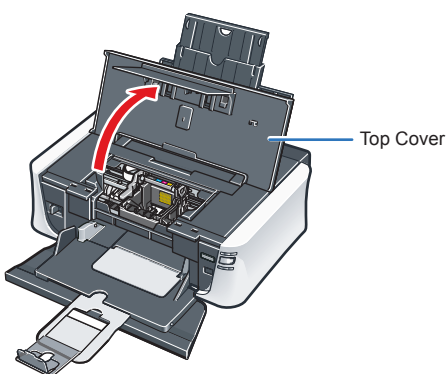


**Important**  
• Do not connect the USB cable until after the software is installed.  
• Plug the power cord all the way in, since it may be difficult to plug.

3 Press the **POWER** button to turn on the printer.

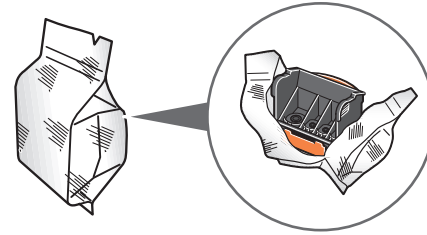


4 Open the Top Cover. The Print Head Holder moves to the center.



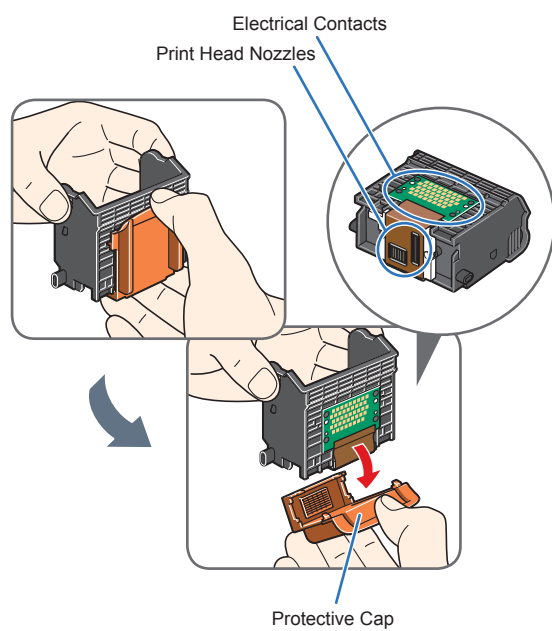
# 2 Install the Print Head

1 Remove the Print Head from its package.



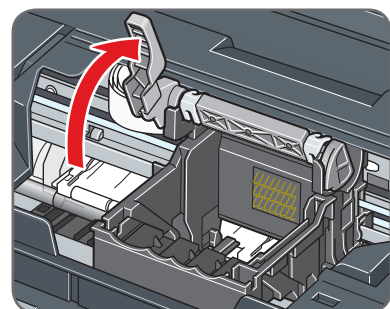
**Caution**  
There may be some transparent or light blue ink on the inside of the bag the print head comes in, or the inside of the protective cap - this has no effect on print quality. Be careful not to get ink on yourself when handling these items.

2 Remove the orange protective cap from the Print Head and discard it.

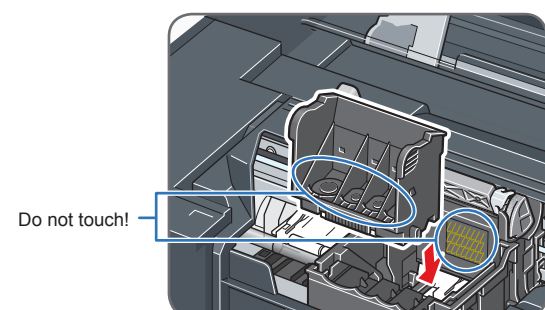


**Note**  
Do not touch the print head nozzles and the electrical contacts.

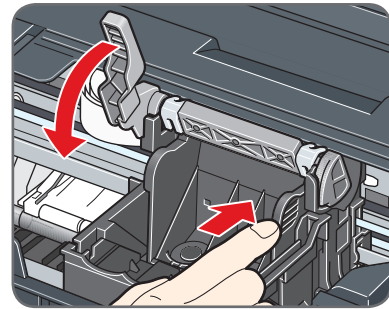
3 Firmly raise the Print Head Lock Lever until it stops. The Print Head Lock Lever may feel heavy.



4 Insert the Print Head.

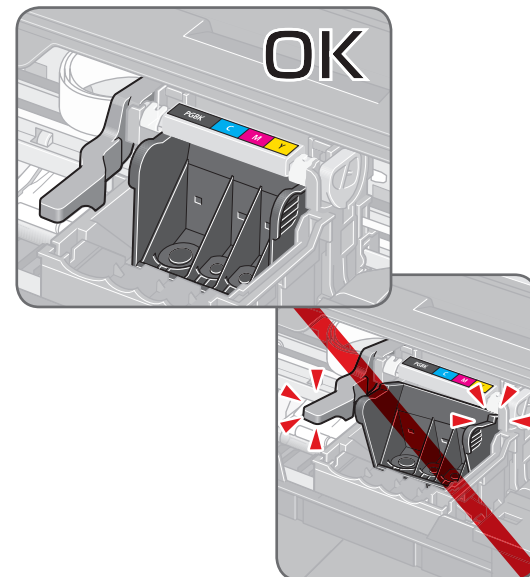


5 Push the Print Head to hold it in place, and lower the Print Head Lock Lever carefully.



**Important**  
If the Top Cover is left open for more than 10 minutes, the Print Head Holder moves to the right. Close and reopen the Top Cover to return the Holder to the center.

6 Make sure that the Print Head is installed correctly.

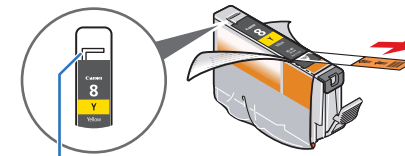


**Important**  
Be sure that the Print Head Lock Lever is pressed all the way down, and that the Print Head is locked firmly in place. If the Print Head is tilted forward, or the Print Head Lock Lever is pressed only halfway down, raise the Print Head Lock Lever and remove the Print head, and then reinstall the Print Head.

# 3 Install the Ink Tanks

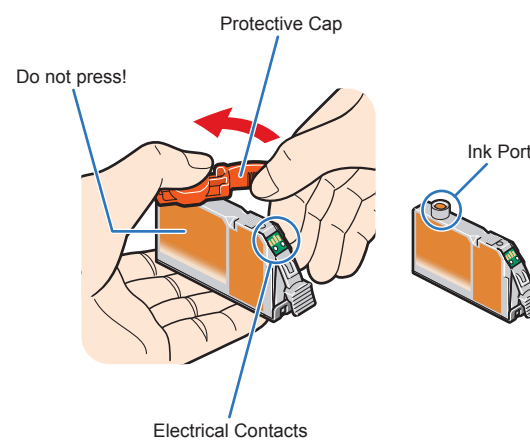
**Note**  
For the ink tanks compatible with this printer, refer to the back cover of the Quick Start Guide.

1 Pull the orange tape in the direction of the arrow to peel off the protective film and remove the film completely.



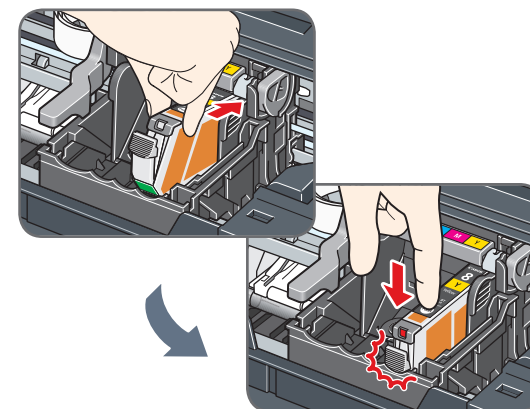
If the air hole is blocked with the remaining film, ink may leak out or may not eject properly.

2 Twist off and discard the orange protective cap located on the bottom of the ink tank.

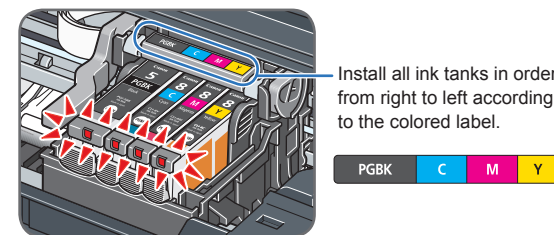


**Important**  
• Do not touch the electrical contacts.  
• Do not touch the ink port.

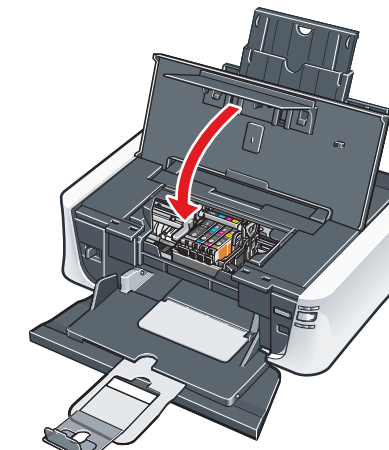
3 Insert the ink tank into the right-hand slot and press the **OK** mark on the ink tank until it clicks into place.



4 Make sure the ink lamp lights red.



5 Close the Top Cover.



**Important**  
• The printer starts operating. Wait about 2 minutes until the printer stops making noise.  
• When printing for the first or second time after setup, the print will take a minute or two before it becomes ready to print.

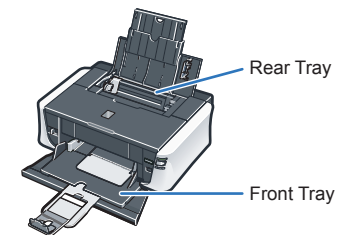
**Note**  
If the **ALARM** lamp on the printer flashes orange after you have closed the Top Cover, refer to "ALARM Lamp Flashes Orange" in "Troubleshooting" of the Quick Start Guide.

Hardware setup is complete.

## Loading Paper

This printer offers two paper sources to load printing paper; the Rear Tray, found at the top of the printer, and the Front Tray, found at the front of the printer.

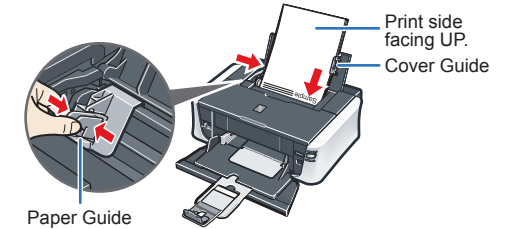
- Note**
- At purchase, the printer is set to feed from the Rear Tray. If you are printing without changing paper source settings, load paper in the Rear Tray. For details on how to change the paper source, refer to "Printing from Your Computer" of the Quick Start Guide.
  - You cannot load paper other than A4, Letter, or B5-sized plain paper (such as Canon Super White Paper SW-201) in the Front Tray. When using any other type of paper, load it in the Rear Tray.



### Loading Paper in the Rear Tray

- 1 Load the paper into the Rear Tray with the print side facing **UP**.
- 2 Align the paper stack against the Cover Guide on the right side of the Paper Support.
- 3 Pinch the Paper Guide and slide it against the left side of the paper stack.

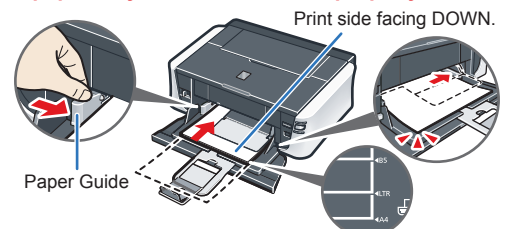
**Note**  
Make sure that the Cover Guide is set upright when you load paper in the Rear Tray.



### Loading Paper in the Front Tray

- 1 Load the paper into the Front Tray with the print side facing **DOWN** and the leading edge to the far side.
- 2 Align the right edge of the paper stack against the inner face of the Front Tray.
- 3 Align the near and left edges of the paper stack with the Paper Size Mark.
- 4 Pinch the Paper Guide and slide it until it lightly touches the left side of the loaded paper stack.

**Important**  
If the Paper Guide is pressed too firmly against the side of the loaded paper, the paper may bend and not feed properly.



**Note**  
For details, refer to the Quick Start Guide.

## Windows® Software Installation

Windows

**Note**

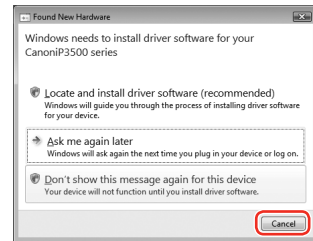
- The screens below refer to Windows Vista™ operating system Ultimate Edition (hereafter referred to as "Windows Vista") installation. Screens may vary depending on the operating system you are using.
- Log into a user account with the administrator privilege.
- Before installing the software, disable all anti-virus programs and automatically loading programs.
- A message asking for your confirmation to restart your computer may appear during the installation process. If this message is displayed, follow the on-screen instructions and click **OK**.
- The installation resumes from where it left off when your computer has been restarted.
- If the computer is restarted during installation, do not remove the *Setup CD-ROM* during restarting.

1 Be sure to **TURN THE PRINTER OFF** before continuing.

- Press the **POWER** button.
- Make sure that the **POWER** lamp stops flashing.

2 Turn the computer on and start Windows.

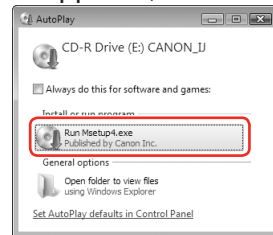
- Important**  
If the **Found New Hardware** or **Found New Hardware Wizard** screen appears automatically, remove the USB cable connected to your computer. Click **Cancel** to quit the screen. In Windows Vista, the screen may close automatically when the USB cable is unplugged. Then turn off the printer and proceed from step 3 to install the printer driver.



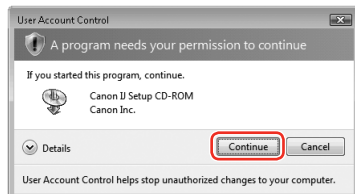
3 Insert the *Setup CD-ROM*. The setup program should run automatically.

- In Windows Vista, go to Step 4. In Windows XP and Windows 2000, go to Step 6.

4 If the **AutoPlay** screen appears, click **Run Msetup4.exe**.



5 If the **User Account Control** screen appears, click **Continue**. If the same screen reappears in subsequent steps, click **Continue**.



6 When the main menu appears, click **Easy Install**.

- The printer driver, On-screen Manuals, and application software are installed automatically.



**Note**

- If you want to select particular items to install, click **Custom Install** and follow the on-screen instructions to proceed the installation.

7 When the list of applications to install appears, confirm the contents, click **Install**.

**Note**

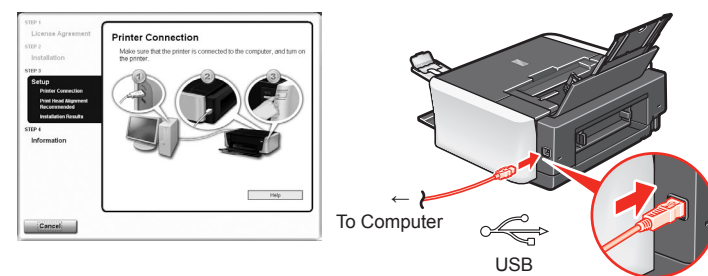
- Move the cursor over items to display explanations of each application.

8 Read the License Agreement carefully and click **Yes**. The software installation screen may appear during the installation process. Follow the on-screen instructions to install the software.

9 When the **Printer Connection** screen appears, connect one end of the USB cable to the computer, the other to the printer, then **TURN THE PRINTER ON**. The printer driver will begin identifying the printer port being used.

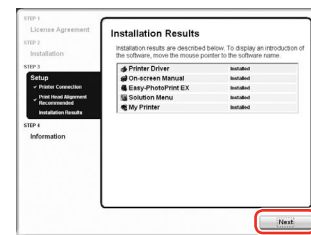
**Important**

- If you cannot go to the next procedure after 2 minutes, refer to "Troubleshooting" instructions in the *Quick Start Guide*.



When the **Print Head Alignment Recommended** screen appears, click **Next**.

10 When the **Installation Results** screen appears, click **Next**.

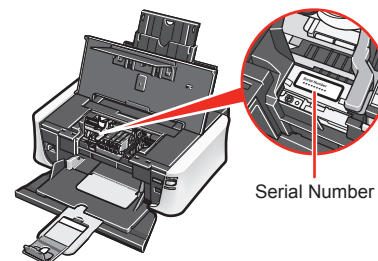


11 When the **User Registration** screen appears, click **Next**.

**Note**

- To register later, click **Cancel** and go to Step 12. After software installation is complete, double-click on the desktop.

Follow on-screen instructions to register your product. You will need your product serial number, which is located on the inside of the printer.



12 When the **PIXMA Extended Survey Program** screen appears, confirm the message. We would appreciate it if you would take part in this program regarding the use of Canon printers. If you can agree, click **Agree**.

13 When the **Installation completed successfully** screen appears, click **Exit**.

- If **Restart** is displayed, make sure that the **Restart the system now (recommended)** check box is selected, then click **Restart**.

Remove the CD-ROM after clicking **Restart** and restarting the computer.

**Note**

- If straight lines are misaligned or print quality is not satisfactory after installing the printer driver, you may need to align the Print Head. Refer to "Aligning the Print Head" in the *Quick Start Guide*.
- Keep the CD-ROM in a safe place in case you need to reinstall the software.

**Software installation is now complete.**

## Macintosh® Software Installation

Macintosh

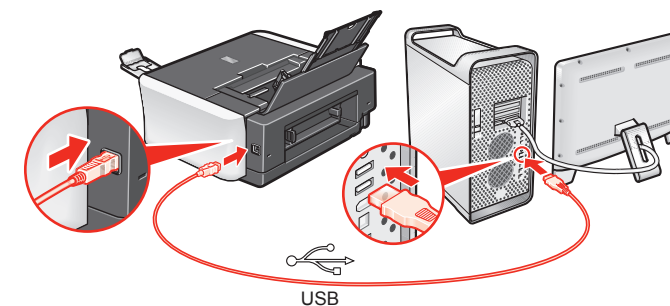
**Note**

- Since Mac® OS 9, Mac OS X Classic environments, or Mac OS X v.10.2.7 or earlier are not supported, do not connect the printer to these.
- The screens below refer to Mac OS X v.10.4.x installation. Screens may vary depending on the operating system you are using.
- Log on as an Administrator.
- Before installing the software, disable all anti-virus programs and automatically loading programs.

1 Connect one end of the USB cable to the computer, the other to the printer.

**Note**

- Make sure the printer is turned on.



2 Turn on your Mac and insert the *Setup CD-ROM*.

**Note**

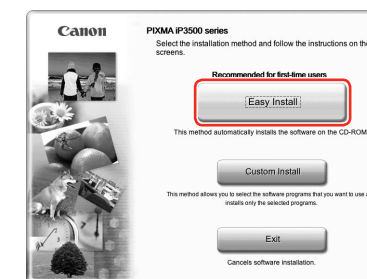
- If the **CD-ROM** folder does not open automatically, double-click the **CD-ROM** icon on the desktop.

3 Double-click the **Setup** icon.

4 When the **Authenticate** screen appears, enter your administrator name and password. Click **OK**. If you do not know your administrator name or password, click , then follow the on-screen instructions.

5 When the main menu appears, click **Easy Install**.

- The printer driver, On-screen Manuals, and application software are installed automatically.



**Note**

- If you want to select particular items to install, click **Custom Install** and follow the on-screen instructions to proceed the installation.

6 When the list of applications to install appears, confirm the contents, then click **Install**.

**Note**

- Move the cursor over items to display explanations of each application.

7 Read the License Agreement carefully and click **Yes**. The software installation screen may appear during the installation process. Follow the on-screen instructions to install the software.

8 When the **Print Head Alignment Recommended** screen appears, click **Next**.

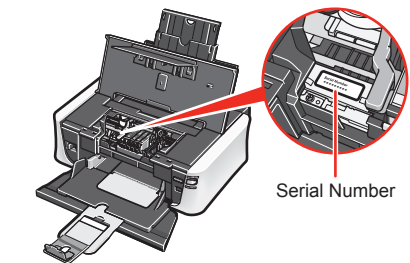
9 When the **Setup Complete** screen appears, click **Next**.

10 When the **User Registration** screen appears, click **Next**.

**Note**

- To register later, click **Cancel** and go to Step 11. After software installation is complete, double-click on the desktop.

Follow on-screen instructions to register your product. You will need your product serial number, which is located on the inside of the printer.



11 When the **Installation completed successfully** screen appears, click **Restart**.

- Remove the CD-ROM after clicking **Restart** and restarting the computer.

**Note**

- Keep the CD-ROM in a safe place in case you need to reinstall the software.



The system is restarted automatically.

**Note**

- If straight lines are misaligned or print quality is not satisfactory after installing the printer driver, you may need to align the Print Head. Refer to "Aligning the Print Head" in the *Quick Start Guide*.

**Software installation is now complete.**