

GLD5850LCS/GLD5860LSS GE® Tall Tub Built-In Dishwasher

Dimensions and Installation Information (in inches)

Electrical Rating

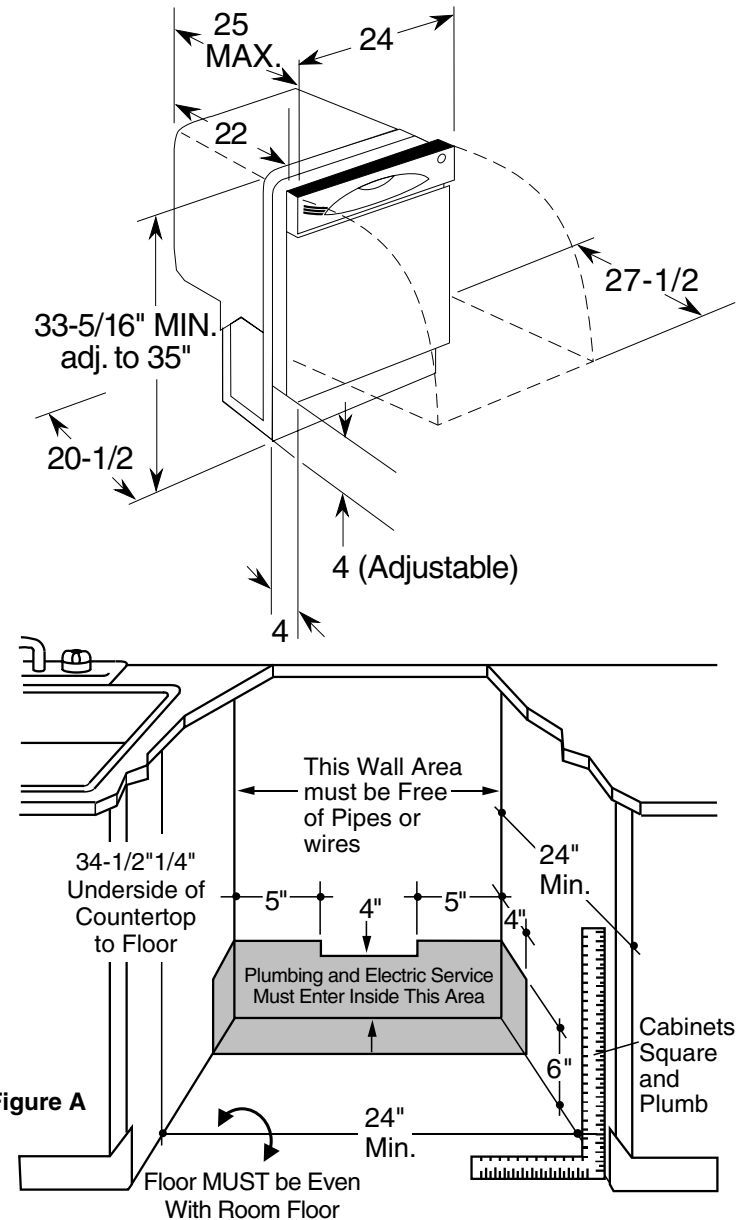
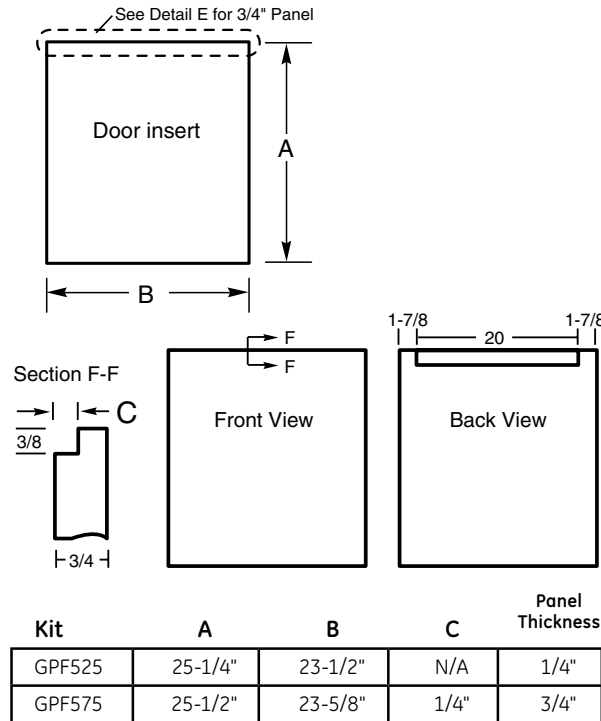
Voltage AC.....	120
Hertz.....	60
Total connected load amperage.....	10
Calrod® heater watts max.....	875

For use on adequately wired 120-volt, 15-amp circuit having 2-wire service with a separate ground wire. This appliance must be grounded for safe operation.

Note: The rough cabinet opening must be at least 24" deep, 24" wide and approximately 34-1/2" high from floor to underside of the countertop. Dishwasher must not be installed more than 10 feet from sink for proper drainage. All plumbing and electrical work must be in accordance with local codes. The power cord and connections must comply with the National Electrical Code Section 422 and/or local codes and ordinances. The cord must be no longer than 6 ft. from the junction box to the receptacle.

Installation Information: Before installing, consult installation instructions packed with product for current dimensional data.

For answers to your Monogram®, GE Profile™ or GE® appliance questions, visit our website at ge.com or call GE Answer Center® service, 800.626.2000.



imagination at work



Listed by Underwriters Laboratories



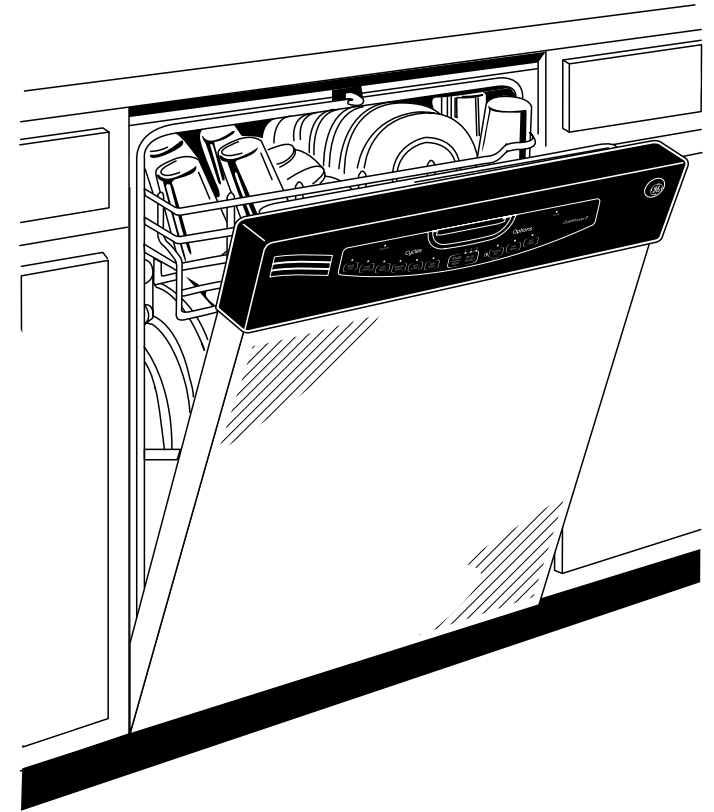
As an ENERGY STAR® partner, GE has determined that this product meets the ENERGY STAR guidelines for energy efficiency.

GLD5850LCS/GLD5860LSS

GE® Tall Tub Built-In Dishwasher

Features and Benefits

- Giant Tub with Super Capacity Racking - Washes up to 15 place settings at once, with room for cookie sheets, platters and other tall items
- Two Utility Shelves in Upper Rack, Silver - Flip down to provide an extra shelf for small items
- SaniSensor™ - Continually measures water temperature to sanitize dishes
- Electronic Controls with 6 Cycles/4 Options - Make it easy to select from a wide range of wash cycles
- QuietPower™ 2 Sound Package - Keeps sound inside where it belongs, wrapping the dishwasher in a full blanket of insulation
- 2/4/8 Hour Delay Start - Makes it easier than ever to wash dishes at any hour taking advantage of reduced energy rates or washing dishes even when the family is asleep
- Light Wash Cycle - Cleans lightly soiled and delicate dishware in a shorter, cooler cycle
- 100% Triple Water Filtration - Keeps food soil from landing back on dishes using a combination of both coarse and fine filters
- SaniWash™ Cycle - Sanitizes tableware by reducing 99.999% of bacteria found on dishes
- HotStart™ Option - Preheats water before the main wash cycle for dependable performance every time
- Child Lock Pad - Easily set to keep children from accidentally starting the dishwasher
- Last Cycle Memory - Quickly recalls the last cycle used, starting it at the touch of a button
- Model GLD5850LCS - CleanSteel™
- Model GLD5860LSS - Stainless steel



imagination at work