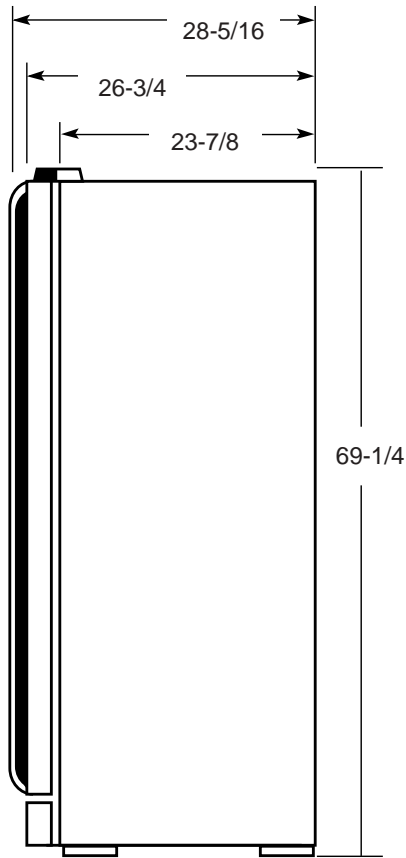




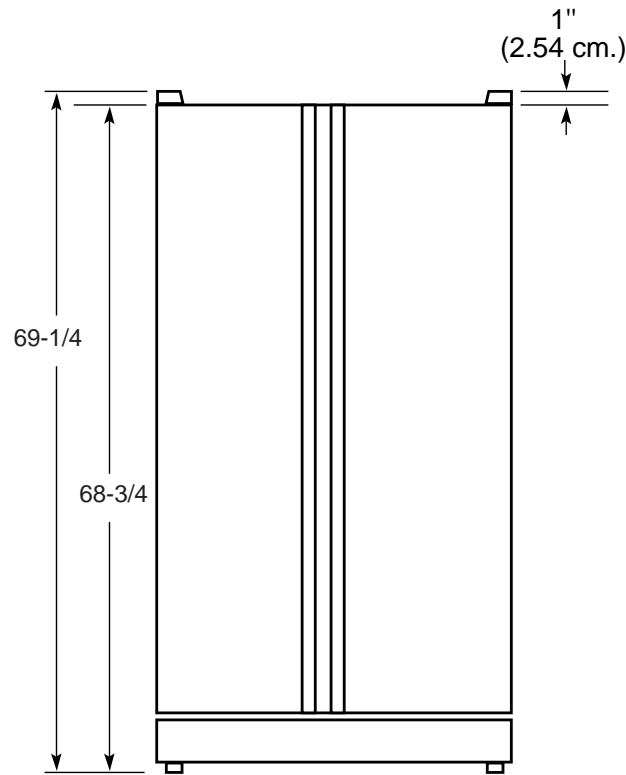
Profile™

# PSH23SGP – GE Profile Arctica™ 22.6 Cu. Ft. CustomStyle™ Side-by-Side Refrigerator with Dispenser

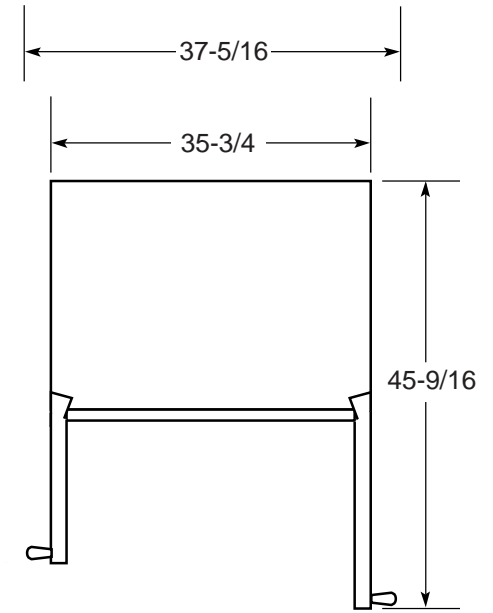
Case Dimensions (in inches/cm.)



Side View



Front View



Top View

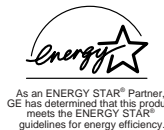
Specification Created 2/03



Total volume and shelf area are calculated by the Association of Home Appliance Manufacturers' standards.



Listed by Underwriters Laboratories



As an ENERGY STAR® Partner, GE has determined that this product meets the ENERGY STAR® guidelines for energy efficiency.



For answers to your Monogram®, GE Profile™ or GE appliance questions, visit our website at [GEAppliances.com](http://GEAppliances.com) or call GE Answer Center® service, 800.626.2000.



Profile™

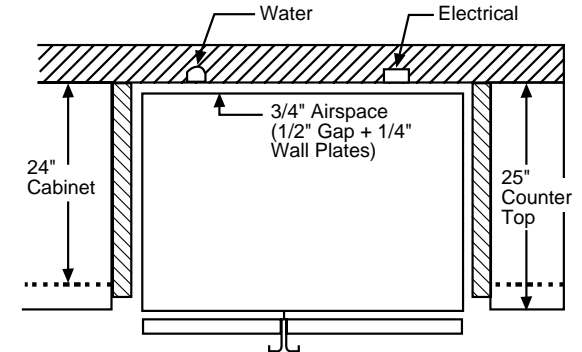
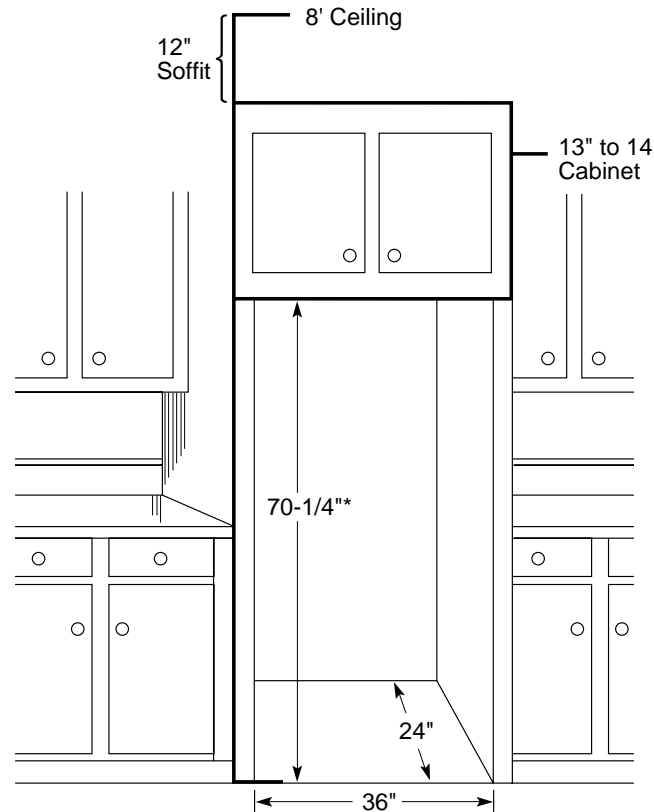
## PSH23SGP – GE Profile Arctica™ 22.6 Cu. Ft. CustomStyle™ Side-by-Side Refrigerator with Dispenser

### Rough-In Dimensions

#### Standard, New Construction and Replacement Installation

#### Installation Tips to Maximize the Built-In Look

- All wall/floor molding should be removed prior to installation.
- Water recess on rear wall recommended to prevent water line damage. 48" minimum length, 1/4" diameter water line tubing recommended.
- When possible, recess both copper water line and electrical outlet. (See local codes)
- Front and rear leveling legs are adjustable for the built-in look. (See owner's manual)
- If optional collar trim kit is to be used or anticipated, see collar trim installation on next page for different rough-in dimensions.



\*The rough-in dimension of 70-1/4" is minimum and is measured from the finished floor to top of opening (or the underside of the overhead cabinets). For Models with Trim Kit: If frameless style cabinets are planned for above the refrigerator, you may need to consider adding a maximum of 1/4" (70-1/2") to height of opening to allow additional clearance between cabinet doors and top of refrigerator trim when cabinet doors are in open position.

Specification Created 2/03



Total volume and shelf area are calculated by the Association of Home Appliance Manufacturers' standards.



Listed by Underwriters Laboratories



As an ENERGY STAR® Partner, GE has determined that this product meets the ENERGY STAR® guidelines for energy efficiency.



For answers to your Monogram®, GE Profile™ or GE appliance questions, visit our website at [GEAppliances.com](http://GEAppliances.com) or call GE Answer Center® service, 800.626.2000.

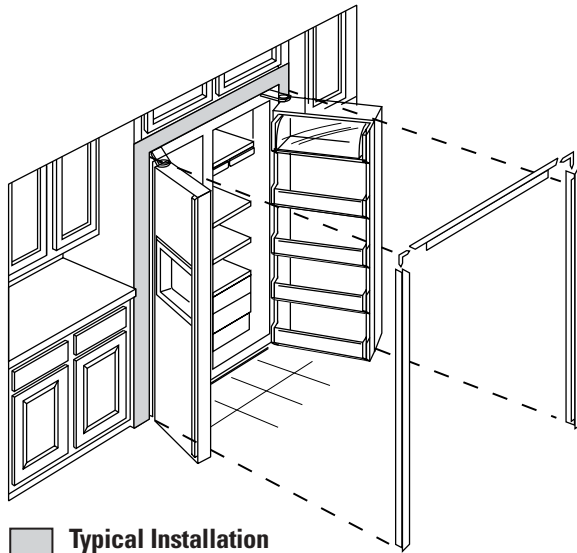


Profile™

## PSH23SGP – GE Profile Arctica™ 22.6 Cu. Ft. CustomStyle™ Side-by-Side Refrigerator with Dispenser

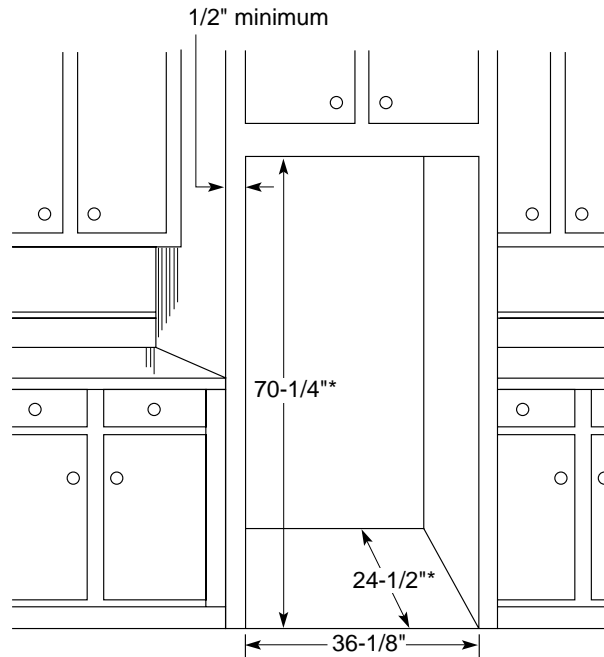
### Collar Trim Installation

An enclosure is **required** to match up to the trim, see Typical Installation. To obtain the most integrated look, the cabinet or soffit above the refrigerator should extend out to the same depth as the side panels. The refrigerator opening must have minimum dimensions of 70-1/4" high x 36-1/8" wide x 24-1/2" deep as shown at right. If there is an overhead cabinet, allow 1" for cabinet door clearance with the top trim piece so the cabinet doors can be opened without hitting the top trim. If 1/2" side panels are used, then side trim and panel will be even. If 3/4" side panels are used, then some of the side panel will extend beyond the trim and must be finished.

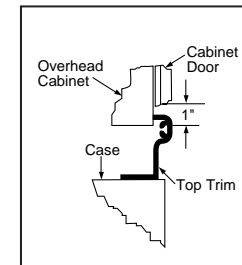
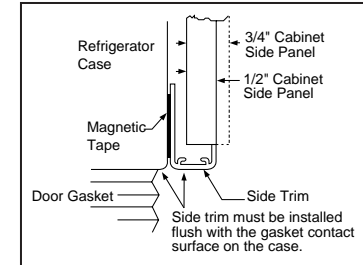


#### Typical Installation

Shaded areas represent front surfaces of side panels and overhead cabinet or soffit that contacts trim.



\*The rough-in dimension of 70-1/4" is minimum and is measured from the finished floor to top of opening (or the underside of the overhead cabinets). For Models with Trim Kit: If frameless style cabinets are planned for above the refrigerator, you may need to consider adding a maximum of 1/4" (70-1/2") to height of opening to allow additional clearance between cabinet doors and top of refrigerator trim when cabinet doors are in open position.



**IMPORTANT:** Before finalizing specifications for your GE Profile CustomStyle Refrigerator, please NOTE:

- A minimum of 36-1/8" is required for refrigerator installation with collar
- Be sure to allow for 1/2" or 3/4" side panels in addition to the 36-1/8" minimum

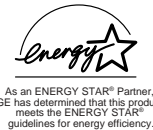
Specification Created 2/03



Total volume and shelf area are calculated by the Association of Home Appliance Manufacturers' standards.



Listed by Underwriters Laboratories



As an ENERGY STAR® Partner, GE has determined that this product meets the ENERGY STAR® guidelines for energy efficiency.

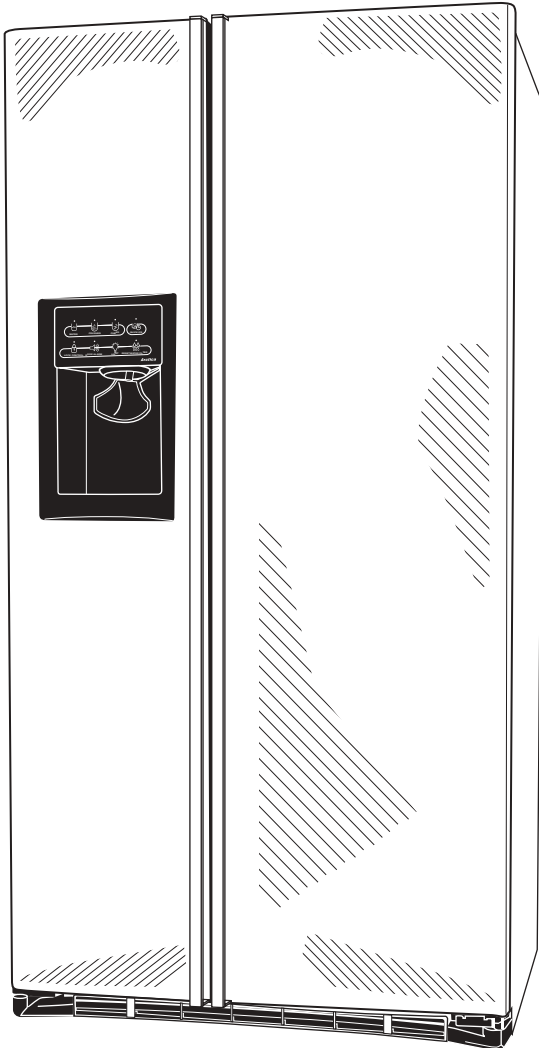


For answers to your Monogram®, GE Profile™ or GE appliance questions, visit our website at [GEAppliances.com](http://GEAppliances.com) or call GE Answer Center® service, 800.626.2000.



*Profile™*

## **PSH23SGP – GE Profile Arctica™ 22.6 Cu. Ft. CustomStyle™ Side-by-Side Refrigerator with Dispenser**



### **Features and Benefits**

- CustomStyle™ Configuration – CustomStyle™ design – offers a built-in look without the built-in expense.
- Stainless Steel – Conveys a look of utmost polish and sophistication.
- CustomCool™ Technology with Full Extension Slides – Chills in minutes, thaws in hours and keeps foods fresher, longer.
- ClimateKeeper™ Temperature Management System – Best temperature management system you can buy!
- Upfront Electronic Digital Display – Clearly displays exact temperatures for the fresh food and freezer compartments.
- Integrated Ice™ System – Frees up valuable freezer space. It tilts down, providing easy access to bulk ice.
- In-the-Door Beverage Rack – Conveniently located to increase flexibility and free up valuable shelf space.
- Model PSH23SGPBS – Stainless steel