

HOW TO CHOOSE AN AIR CONDITIONER

Measure the length and width of the area to be cooled.

Multiply the length by the width to determine SQ. FT.*

Locate the SQ. FT. in the left hand column below.

Choose a BTU/H size from the chart for the sun exposure and room condition of the area to be cooled.

SUN EXPOSURE	NORTH EXPOSURE			EAST OR SOUTH EXPOSURE			WEST EXPOSURE		
	AREA TO BE COOLED (SQ. FT.)	OCCUPIED SPACE ABOVE	INSULATED CEILING ABOVE	UNINSULATED CEILING ABOVE	OCCUPIED SPACE ABOVE	INSULATED CEILING ABOVE	UNINSULATED CEILING ABOVE	OCCUPIED SPACE ABOVE	INSULATED CEILING ABOVE
100	3,800	4,300	4,700	4,100	4,300	5,000	4,300	4,500	5,200
150	4,400	4,900	5,700	4,700	5,000	6,100	4,900	5,200	6,400
200	5,000	5,600	7,000	5,400	5,800	7,200	5,600	6,000	7,500
250	5,600	6,300	8,100	6,000	6,500	8,400	6,300	6,800	8,700
300	6,200	7,000	9,100	6,700	7,300	9,500	7,000	7,600	9,900
350	6,800	7,700	10,200	7,200	8,000	10,500	7,600	8,400	11,000
400	7,500	8,400	11,100	7,900	8,700	11,500	8,300	9,100	12,000
450	8,000	9,000	12,100	8,500	9,400	12,600	8,900	9,800	13,000
500	8,600	9,700	13,200	9,100	10,100	13,600	9,500	10,600	14,000
600	9,800	11,000	15,200	10,300	11,500	15,600	10,800	12,000	16,200
700	10,800	12,200	17,200	11,300	12,800	17,700	11,900	13,400	18,200
800	11,900	13,500	19,000	12,500	14,100	19,700	13,100	14,700	20,300
900	13,000	14,700	21,000	13,500	15,300	21,800	14,200	16,000	22,400
1000	14,000	16,000	22,900	14,600	16,600	23,700	15,300	17,300	24,400
1100	15,000	17,200	24,800	15,700	17,900	25,600	16,500	18,700	26,400
1200	16,000	18,400	26,700	16,800	19,200	27,700	17,600	20,000	28,400
1300	17,100	19,600	28,600	17,900	20,500	29,500	18,700	21,400	30,400
1400	18,100	20,800	30,500	18,900	21,700	31,500	19,800	22,700	32,300
1500	19,000	22,000	32,400	20,000	22,900	33,000	20,900	24,000	N/A
1600	20,000	23,300	N/A	21,000	24,100	N/A	22,000	25,300	N/A
1700	21,000	24,400	N/A	22,000	25,400	N/A	23,200	26,500	N/A
1800	22,000	25,500	N/A	23,000	26,700	N/A	24,200	27,800	N/A
1900	23,000	26,800	N/A	24,000	28,000	N/A	25,300	29,000	N/A
2000	24,000	27,900	N/A	25,100	29,100	N/A	26,300	30,200	N/A

*When cooling a kitchen add 4,000 BTU/H to the SQ. FT.

Frigidaire Room Air Conditioner Warranty

Full One-Year Warranty - Every Electrolux Home Products room air conditioner is guaranteed to be free of materials defects or component malfunctions. We will repair, without charge, any problem that occurs during the first year after original date of purchase.*

Limited Five-Year Warranty - Electrolux Home Products will provide the labor and parts to repair or replace any defect in the sealed systems of a Frigidaire® room air conditioner in the second through the fifth year after the original date of purchase.

*Some restrictions apply for Alaska. For complete warranty details, please refer to our Owner's Manual.

This warranty is provided by Electrolux Home Products North America, a division of White Consolidated Industries Inc. in the USA and in Canada by WCI Canada Inc.

High standards of quality at Electrolux Home Products mean we are constantly working to improve our products. We reserve the right to change specifications or discontinue models without notice.

Parts and Service - Wherever you live or move in the U.S.A., our national network of Factory Service Centers and authorized independent servicers provide prompt, professional repair service. To maintain warranties, always ask for Electrolux Home Products Genuine Renewal Parts.

Frigidaire **ABT**
ROOM AIR CONDITIONERS
2005 STOCKING MODELS
PRODUCT FEATURES



Quiet Operation by Design...

- Maximum comfort, minimum operating noise.

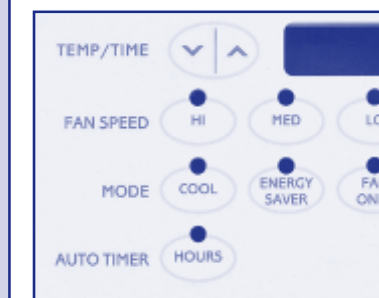
Gallery Full Function Remote Control...

- Real comfort at the touch of a button.
- Available with most Gallery electronic control models.



Easy To Install...

Accordion quick mount side panels. (most models)



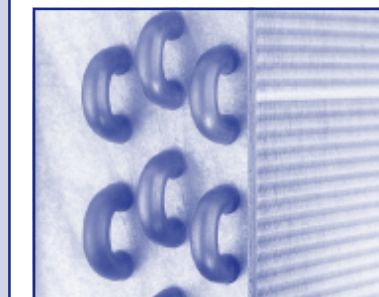
Electronic Controls...

- Easy to operate
- Provides precise temperature control
- Convenient automatic on/off timer.



Washable Electrostatic Filter...

Tilts out for convenient access.



Efficient Copper Tubing...

Corrosion-resistant copper coils are staggered for energy efficient operation and maximum air flow.

COMPACT MODELS

WINDOW DIMENSION: 14" H (MIN.) X 23" W (MIN.) / 36" W (MAX.)



FAA053M7A
5,000 BTU - 10.7 EER

- 2-Fan Speeds
- Rotary Controls
- Quick Mount Installation Kit
- 115 Volts / 4.3 Amps
- Approximate Cool Area 150 Sq. Ft.



FAC082M7A
8,000 BTU - 9.8 EER

- 3-Fan Speeds
- Rotary Controls
- Quick Mount Installation Kit
- 115 Volts / 7.5 Amps
- Approximate Cool Area 350 Sq. Ft.



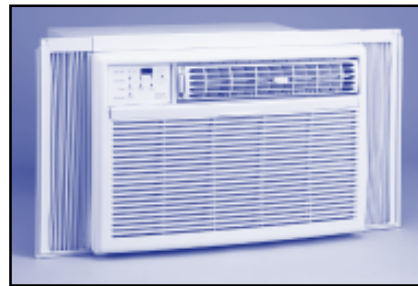
FAC102M1A
10,000 BTU - 9.8 EER

- 3 Fan Speeds
- Rotary Controls
- Quick Mount Installation Kit
- 115 Volts / 9.5 Amps
- Approximate Cool Area 490 Sq. Ft.



HEAVY DUTY MODELS

WINDOW DIMENSION: 20 1/2" H (MIN.) X 32" W (MIN.) / 43" W (MAX.)



FAS254M2A
25,000 BTU - 8.7 EER

- 3-Fan Speeds
- Electronic Controls w/Remote
- Quick Mount Installation Kit
- Slide-Out Chassis
- 230 Volts / 12.5 Amps
- Approximate Cool Area 1,700 Sq. Ft.



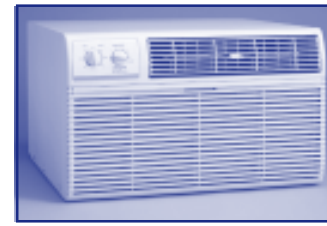
FAS294M2A
28,500 BTU - 8.5 EER

- 3 Fan Speeds
- Electronic Controls w/Remote
- Quick Mount Installation Kit
- 230 Volts / ??? Amps
- Approximate Cool Area ??? Sq. Ft.



GALLERY THROUGH THE WALL MODEL

WINDOW DIMENSION: 14 1/2" H X 24" W X 18 1/2" D



FAH086M1T
8,000 BTU - 9.4 EER

- 3-Fan Speeds
- Rotary Controls
- 4 Way Air Direction
- Slide-Out Rigid Mesh Filter
- 115 Volts / ?? Amps
- Approximate Cool Area ??? Sq. Ft.



FAH106M1T
10,000 BTU - 9.4 EER

- 3-Fan Speeds
- Rotary Controls
- 4 Way Air Direction
- Slide-Out Rigid Mesh Filter
- 115 Volts / ?? Amps
- Approximate Cool Area ??? Sq. Ft.



FAH126M2T
12,000 BTU - 9.0 EER

- 3-Fan Speeds
- Rotary Controls
- 4 Way Air Direction
- Slide-Out Rigid Mesh Filter
- 230 Volts / 6.0 Amps
- Approximate Cool Area 640 Sq. Ft.

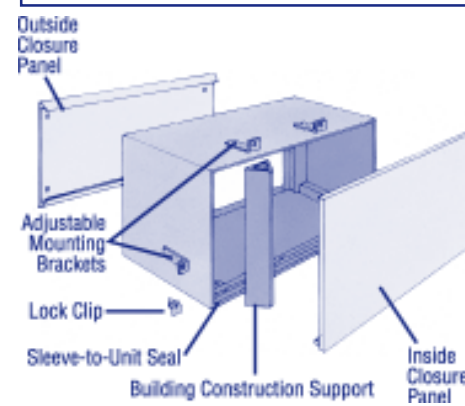


EVERY FRIGIDAIRE MODEL

**COOLS AIR
CIRCULATES AIR
DEHUMIDIFIES AIR
FILTERS AIR**



Through The Wall Builder Sleeves for new construction



Interior Trim Kit. This adjustable collar easily covers any gap between our cabinet and the sleeve of any previous air conditioner. The result is a room air conditioner that fits your existing sleeve neatly and attractively. Included with every model.

EA108T SLEEVE SPECIFICATIONS

DEPTH	18" SLEEVE
Maximum Wall Thickness	17 3/4
Height	15 1/16
Width	25 7/8
Cut-Out Height	15 3/4
Cut-Out Width	26
Approx. Shipping Weight (Lbs.)	25 1/2
Net Weight (Lbs.)	17 1/2