

INSTALLATION INFORMATION

***CE 901 SERIES
GLASS SMOOTHTOP COOKTOP***

Important – Save for the local electrical inspector’s use

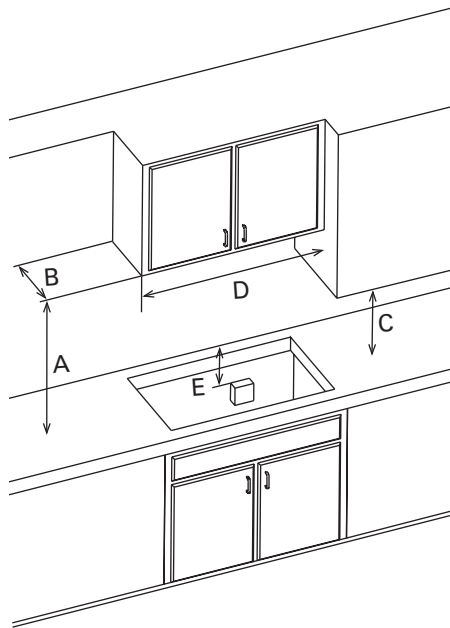
- ***Please make this information available to the person responsible for installing your cooktop as it could reduce the installation costs.***
- **To the installer:** Please leave these instructions with the appliance. Inform the customer to keep them for future reference.
- **Disconnect power** before beginning installation
- **Proper installation** is your responsibility. Have a qualified technician install this cooktop.
- Be careful of sharp edges when handling stainless steel products
- When your cooktop is installed, have the service person show you where to disconnect the power to the cooktop
- This cooktop must be installed in accordance with the national electric Codes and other state, municipal and local codes.
- This product must be installed at least 36 inches above floor level.

CHECKLIST

Check that you have received all of the following with your cooktop:

- User Guide
- 5 clamping brackets and screws
- Cleaning kit

Ensure the countertop is square and level and ensure no structural members interfere with space requirements.



A = 30" minimum clearance between the top of the cooking surface and the bottom of an unprotected wood or metal cabinet. Alternatively, A = 24" minimum when bottom of wood or metal cabinet is protected by not less than 1/4-inch-thick flame-retardant millboard covered with not less than No. 28 MSG sheet steel, 0.015-inch-thick stainless steel, 0.024-inch-thick aluminum, or 0.020-inch-thick copper.

B = 13" max depth of unprotected cabinet.

C = 18" min height from countertop to nearest cabinet on other side of unit.

D = 36" min between overhead cupboards

E = 9" min below bench to junction box

To eliminate risk of burns or fire by reaching over heated surface units, cabinet storage space located above the surface units should be avoided. If cabinet storage is to be provided, the risk can be reduced by installing a range hood that projects horizontally a minimum of 5" beyond the bottom of the cabinets.

Allow a 2 inch clearance between the bottom of the cooktop and any combustible surface, including the upper edge of a drawer installed below the cooktop.

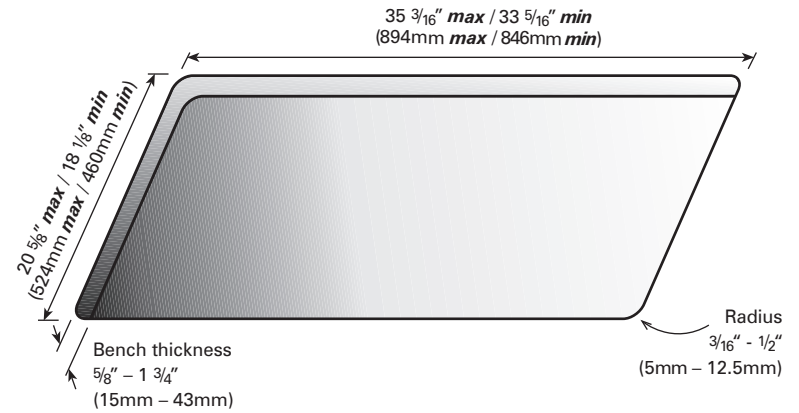
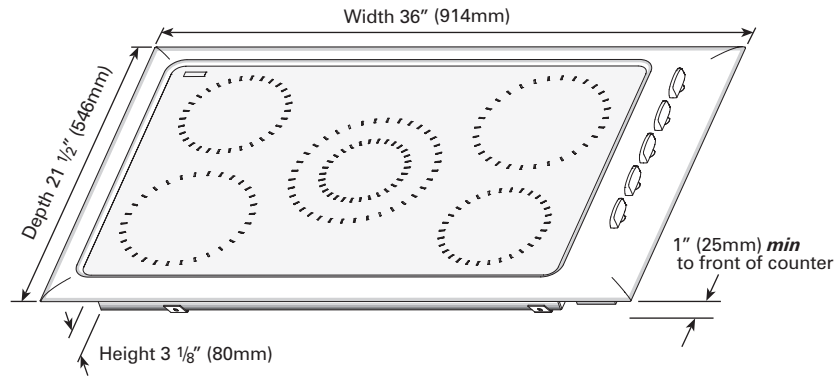
The cooktop can be installed above a *Fisher & Paykel* DishDrawer® or OS301 single wall oven if a 10mm ($\frac{3}{8}$ ") gap is provided between the bottom of the cooktop and the top of the DishDrawer® or oven.

Your cooktop is supplied with a 4' flexible metal conduit.

DO NOT SHORTEN THE CONDUIT

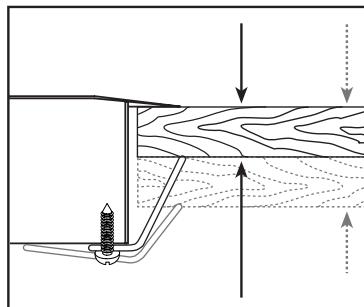
The junction box should be installed where it can be accessed after installation.

Ensure there is adequate slack in the conduit to allow for servicing.

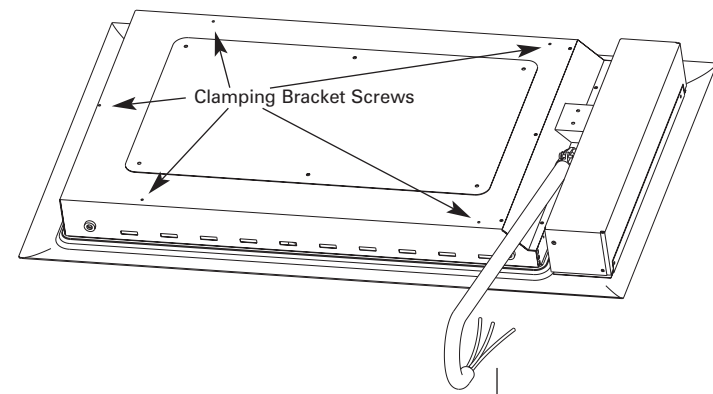


INSTALLING THE COOKTOP

Place the cooktop into the cutout and tighten it with the supplied clamps and screws. These will cope with countertop thicknesses 5/8" - 13/4" when used in the two orientations shown below.



Do Not Overtighten



Your cooktop **must** be connected to the proper electrical voltage and frequency as specified below.

Model	Power	Required power supply	Minimum supply wire size
CE901/M	8.5kW	240V 35.4A 60Hz 208V 30.7A 60Hz	No.10 AWG

CONNECT WITH COPPER WIRE ONLY

- The CE901 is rated 8.5kW at 240V and requires a separate 40-ampere circuit.
- The flexible (4') armoured cable should be connected directly to the junction box.
- Do not cut the conduit.
- A U.L. listed conduit connector must be provided at the junction box.
- Do not ground to a gas pipe.
- Do not have a fuse in the grounding or neutral circuit.
- Fuse both supply (phase) lines.
- A time delay fuse or circuit breaker is recommended.
- Connect directly to the fused disconnect (or circuit breaker box) through flexible, armored or non-metallic sheathed, copper cable (with grounding wire).
- If codes permit and a separate grounding wire is used, it is recommended that a qualified electrician determine that the grounding path and wire gauge is in accordance with local codes.

This cooktop does not require a neutral connection. If the cooktop is to be completely enclosed in a cabinet, feed the cooktop cable through the opening in the cabinet.

Make the electrical connection following the appropriate steps for your installation.

1. **Disconnect the power supply.**
2. Remove the junction box cover.
3. Connect the cooktop cable to the junction box through the U.L.-listed conduit connector.
4. Connect the two black wires together with twist-on connectors.
5. Connect the two red wires together with twist-on connectors.
6. Connect electrical connection according to local codes and ordinances.

If local codes PERMIT connecting cabinet-grounding conductor to neutral white wire in the junction box:

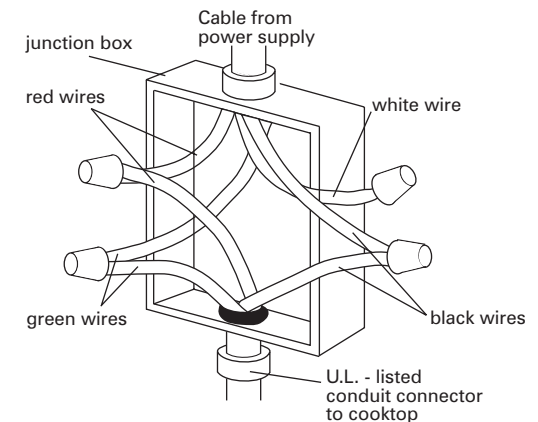
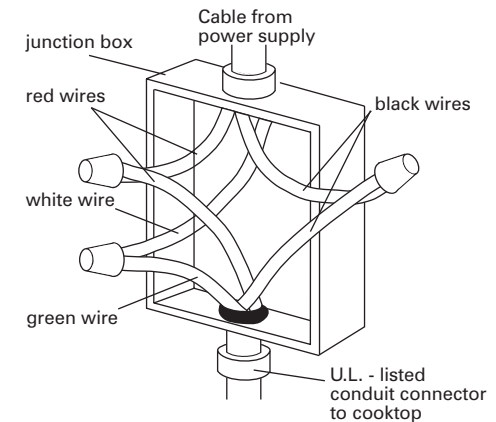
7. Connect the green cooktop cable wire to the neutral (white) wire in the junction box.
8. Replace the junction box cover.

OR If local codes DO NOT PERMIT connecting cabinet-grounding conductor to neutral white wire in junction box:

7. Terminate neutral (white) wire in junction box.
8. Connect the green grounding cooktop cable wire to a grounded wire in the junction box.
9. Replace the junction box cover.

OR If connecting to a four-wire electrical system:

7. Terminate neutral (white) wire in junction box.
8. Connect the green cooktop cable wire to the green grounding wire in the junction box.



- Make sure the top surface of the cooktop is clear of any debris.
- Wipe the glass surface clean.
- Turn each knob and verify that the correct element glows, and that the indicators glow red (CE901M - white).
Leave controls on for one minute before turning off. Check that the indicators changes color when you turn the elements off.
This warns that the glass surface is still hot. These lights should turn off completely when the elements cool down.
- Encourage the user to read the User Guide – it contains important safety information as well as tips to make sure the user gets the most out of their new cooktop.

IF YOU NEED ASSISTANCE:

- If a fault occurs consult the Problem Solver Section of your User Guide.
- Call your local Customer Care representative on 800-863-5394.
- Please have the model and serial number of your product ready for the Customer Care representative.
- Or you can email us at : **www.usa.fisherpaykel.com**

When you call, you will need:

- The model number and serial number of your cooktop. You will find both of these on the underside of your cooktop.

Q Is it possible for my cooktop to shatter?

A This is **highly** unlikely. The glass is very robust and strong and goes through a vigorous testing process before it is accepted.

Q Does the glass scratch easily?

A No, the glass is very tough, however, exercise care when using the ceramic surface.

Q What do the lights mean?

A These depict the status of the elements:

Red - the element is turned on (CE901M - white).

Amber - the element is turned off but the surface is still hot (CE901M - red).

Q Will the graphics come off?

A No, the glass graphics are fused onto the glass surface. However they may be obscured by baked on food. This is easily removed with the scraper supplied with the product.

The graphics on the stainless steel are etched by laser, but they can be damaged by harsh abrasives.

Q Will the surface overheat?

A Each element is fitted with temperature limiters that prevent overheating.

Q What is the best way to clean my cooktop?

A See the 'Care & Cleaning' section of the User Guide book.

Q Why do the elements appear to turn off while cooking/heating?

A In order to maintain your desired temperature the element may pulse on and off.

Q Do I need special pans?

A No, however flat bottom pans are recommended as they are more energy efficient and stable.

See the 'Using Your Cooktop' section of the User Guide book for further information.

Q How can I achieve a low setting for delicate cooking and simmering?

A The lowest power element is the inner part of the dual element and you may want to experiment by turning the control below the marked low setting. The CE901M has a Supersimmer element in the front right position that is ideal for such tasks. Refer to the User Guide for information on using Supersimmer.

Q Can I fit my *Fisher & Paykel* oven below my cooktop?

A Yes, with a standard bench height and recommended gap (see page 3 for details).