

KitchenAid® 30" (76.2 cm) Freestanding and Slide-In Electric Range

PRODUCT MODEL NUMBERS

KERS807S KESS907S
KESK901S KESS908S

Electrical:

- This range is manufactured with the neutral terminal connected to the cabinet. Use a 3-wire UL listed, 40- or 50-amp power supply cord (pigtail) (see Range Rating chart below). If local codes do not permit ground through the neutral, use a 4-wire power supply cord rated at 250 volts, 40 or 50 amps and investigated for use with ranges.

Range Rating*		Specified Rating of Power Supply Cord Kit and Circuit Protection
120/240 Volts	120/208 Volts	Amps
8.8 - 16.5 KW	7.8 - 12.5 KW	40 or 50**
16.6 - 22.5 KW	12.6 - 18.5 KW	50

* The NEC calculated load is less than the total connected load listed on the model/serial rating plate.

** If connecting to a 50-amp circuit, use a 50-amp rated cord with kit. For 50-amp rated cord kits, use kits that specify use with a nominal 1 $\frac{3}{8}$ " (34.93 mm) diameter connection opening.

- A circuit breaker is recommended.
- The range can be connected directly to the fused disconnect (or circuit breaker box) through flexible or nonmetallic sheathed, copper or aluminum cable.
- Wire sizes and connections must conform with the rating of the range (40 amps).

SLIDE-IN RANGE COUNTERTOP PREPARATION

The cooktop sides of the slide-in range fit over the cutout edge of your countertop.

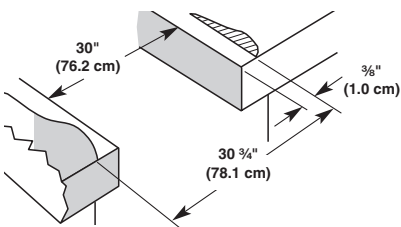
If you have a square finish (flat) countertop and the opening width is 30" (76.2 cm), no countertop preparation is required.

Formed front-edged countertops: Must have molded edge shaved flat $\frac{3}{8}$ " (1.0 cm) from each front corner of opening.

Tile countertops may need trim cut back $\frac{3}{8}$ " (1.0 cm) from each front corner and/or rounded edge flattened.

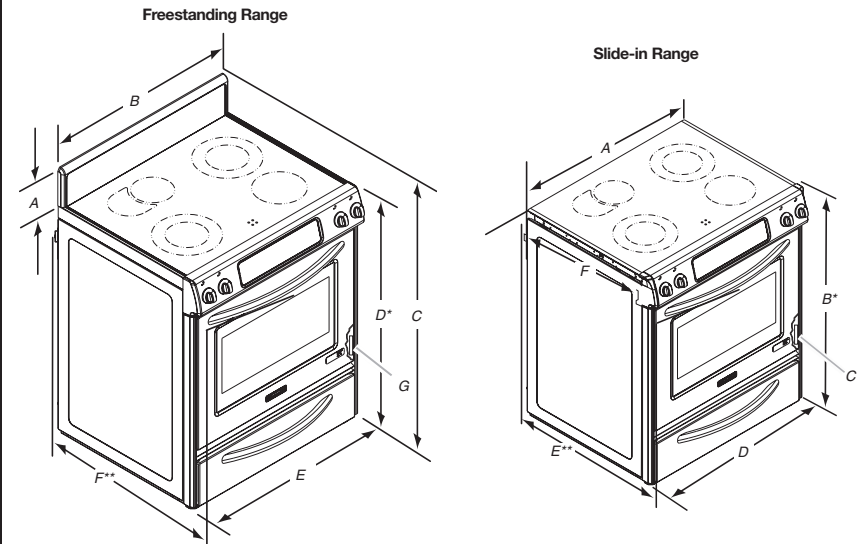
If countertop opening width is greater than 30" (76.2 cm), adjust the $\frac{3}{8}$ " (1.0 cm) dimension.

Countertop must be level. Place level on countertop, first side to side; then front to back. If countertop is not level, range will not be level. Range must be level for satisfactory baking conditions.



NOTE: 24" (61.0 cm) minimum when bottom of wood or metal cabinet is covered by not less than $\frac{1}{4}$ " (0.64 cm) flame retardant millboard covered with not less than No. 28 MSG sheet steel, 0.015" (0.4 mm) stainless steel, 0.024" (0.6 mm) aluminum or 0.020" (0.5 mm) copper.
30" (76.2 cm) minimum clearance between the top of the cooking platform and the bottom of an uncovered wood or metal cabinet.

OVERALL DIMENSIONS



- Freestanding Range Dimensions:**
- A. 5 $\frac{1}{2}$ " (14.6 cm)
 - B. 30" (76.2 cm)
 - C. 41 $\frac{1}{2}$ " (106 cm) overall height with leveling legs screwed all the way in
 - D. 36" (91.4 cm) cooktop trim height with leveling legs screwed all the way in*
 - E. 30" (76.2 cm)
 - F. 27 $\frac{1}{4}$ " (69.2 cm) max. from handle to standoff at back of range**
 - G. Model/serial number plate (located on the right-hand side oven door trim)
- Slide-in Range Dimensions:**
- A. 30 $\frac{1}{4}$ " (77.6 cm)
 - B. 35 $\frac{1}{2}$ " (90.5 cm) height to underside of cooktop edge with leveling legs screwed all the way in*
 - C. Model/serial number plate (located on the right-hand side oven door trim)
 - D. 30" (76.2 cm)
 - E. 27 $\frac{1}{4}$ " (69.2 cm) from handle to standoff at back of range**
 - F. 23" (58.4 cm) countertop notch to rear of cooktop

* Range can be raised approximately 1" (2.5 cm) by adjusting the leveling legs.

** When installed in a 24" (61 cm) base cabinet with 25" (63.5 cm) countertop; front of oven door protrudes 1" (2.5 cm) beyond 24" (61 cm) base cabinet.

* Range can be raised approximately 1" (2.5 cm) by adjusting the leveling legs.

** When installed in a 24" (61 cm) base cabinet with 25" (63.5 cm) countertop; front of oven door protrudes 1 $\frac{3}{4}$ " (4.4 cm) beyond 24" (61 cm) base cabinet.

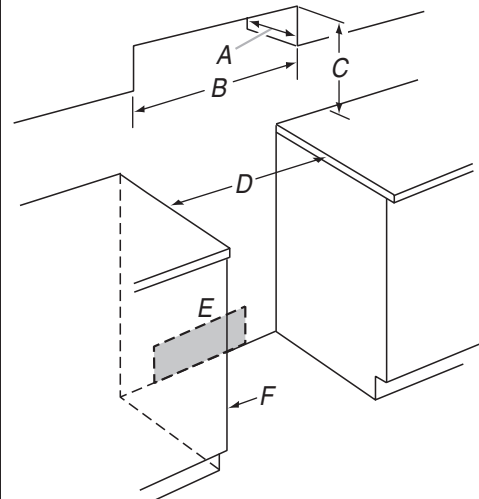
CABINET DIMENSIONS

Cabinet opening dimensions shown are for 25" (64.0 cm) countertop depth, 24" (61.0 cm) base cabinet depth and 36" (91.4 cm) countertop height.

IMPORTANT: If installing a range hood or microwave hood combination above the range, follow the range hood or microwave hood combination installation instructions for dimensional clearances above the cooktop surface.

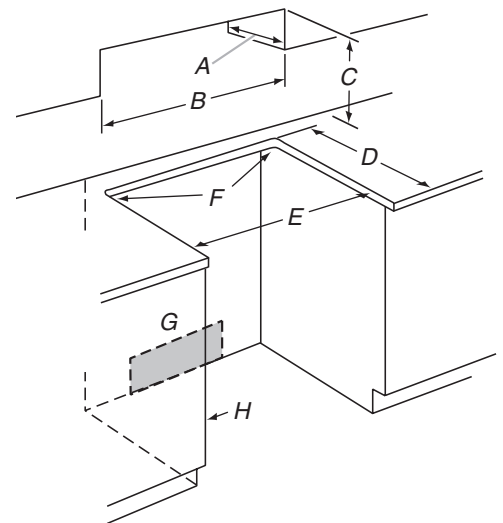
Freestanding Range

A freestanding range may be installed next to combustible walls with zero clearance.



- A. 13" (33.0 cm) upper cabinet depth
- B. 30" (76.2 cm) min. opening width
- C. For minimum clearance to the top of the cooktop, see NOTE*.
- D. 30" (76.2 cm) min. opening width
- E. Junction box - 8" (20.3 cm) to 22" (55.9 cm) from either cabinet, 7" (17.8 cm) max. from floor
- F. Cabinet door or hinge should not extend into the cutout.

Slide-in Range



- A. 13" (33.0 cm) upper cabinet depth
- B. 30" (76.2 cm) min. opening width
- C. For minimum clearance to the top of the cooktop, see NOTE*.
- D. 22 $\frac{3}{4}$ " (57.8 cm) opening depth
- E. 30" (76.2 cm) min. opening width
- F. Square cut or $\frac{1}{4}$ " (6.2 cm) radius both corners
- G. Junction box - 8" (20.3 cm) to 22" (55.9 cm) from either cabinet, 7" (17.8 cm) max. from floor
- H. Cabinet door or hinge should not extend into cutout.