

GTH18FBT

GE® ENERGY STAR® 18.2 Cu. Ft. Top-Freezer Refrigerator

Dimensions and Installation Information

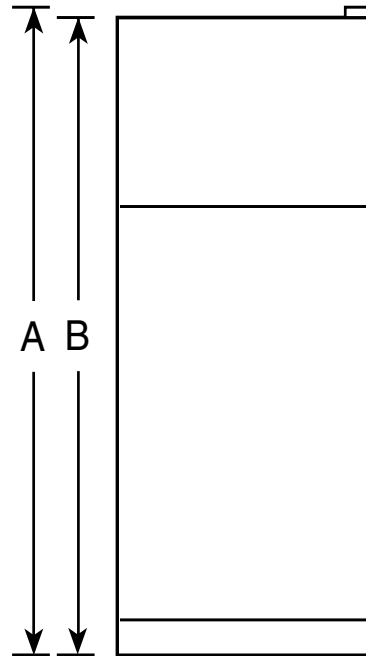
Overall Dimensions	Height to top of hinge (in.) A	67-3/8
	Height to top of case (in.) B	66-7/8*
	Case depth without door (in.) C	26-3/4
	Case depth less door handle (in.) D	30-1/2
	Case depth with door handle (in.) E	32-3/8
	Depth with fresh food door open 90° (in.) F	56-3/8
	Width (in.) G	28
	Width with door open 90° less door handle (in.) H	30-3/4
Air Clearances	Each side (in.)	3/4
	Top (in.)	1
	Back (in.)	1

*Height to mid-freezer (in.): 57

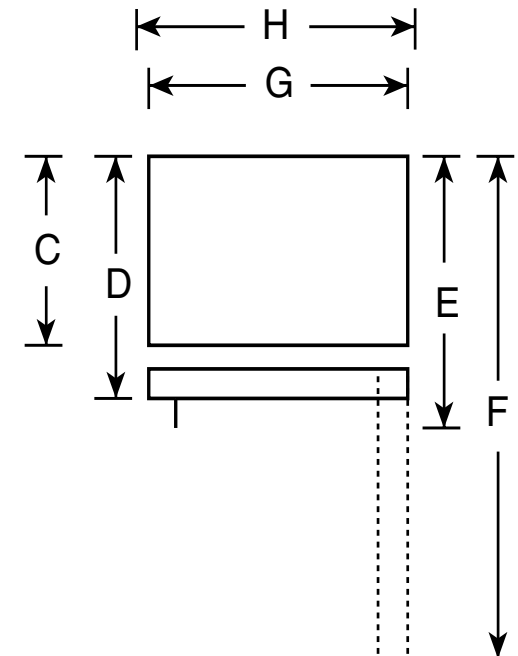
For answers to your Monogram®, GE Profile™ or GE® appliance questions, visit our website at geappliances.com or call GE Answer Center® service, 800.626.2000.



Front View



Top View



Above illustration intended for dimensional reference only. Refer to photography for actual product appearance.

Dimension and installation information are shown in inches.



Listed by
Underwriters
Laboratories



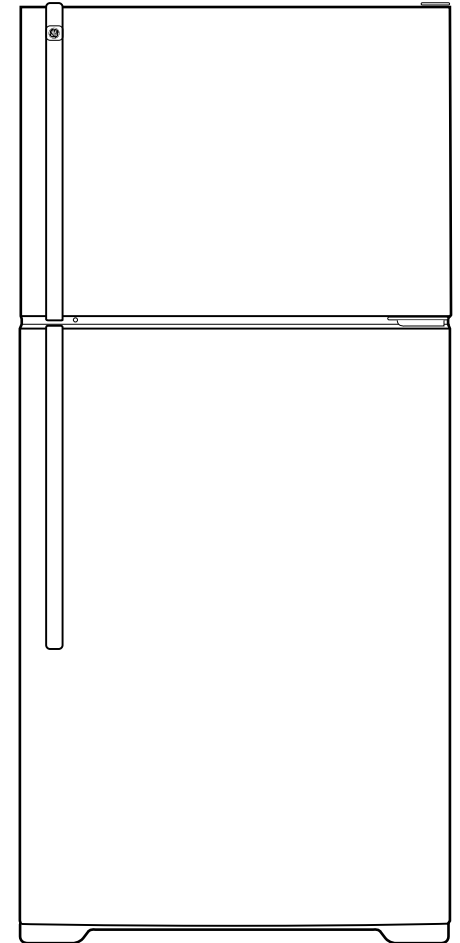
As an ENERGY STAR® partner, GE has determined that this product meets the ENERGY STAR guidelines for energy efficiency.

GTH18FBT

GE® ENERGY STAR® 18.2 Cu. Ft. Top-Freezer Refrigerator

Features and Benefits

- Upfront temperature controls - Easy-to-use control simplifies temperature setting
- Adjustable glass and wire shelves - Flexible shelving options can be arranged to handle all your foods
- Crisper drawers - Provides the ideal environment for storing your fruits and vegetables
- Gallon door bins - Gallon containers are easily accommodated to allow for more fresh food space
- Can storage door shelf - Holds soft drink cans in the door for easy selection and quick access
- Wire freezer shelves - Sturdy shelves provide additional storage for frozen foods
- NeverClean™ condenser - Sealed compartment keeps coils clean and simplifies maintenance
- Deluxe quiet design - Significantly reduces unnecessary operating noise in the kitchen
- Model GTH18FBTWW - White
- Model GTH18FBTCC - Bisque



imagination at work



As an ENERGY STAR® partner, GE has determined that this product meets the ENERGY STAR guidelines for energy efficiency.

Specification Created 1/10

310303