

Side-by-Side Refrigerator

FFHS2612L S

26 Cu. Ft. Standard-Depth



Product Dimensions

| | |
|--|---------|
| Height (Including Hinges & Rollers) | 69-3/8" |
| Width | 36" |
| Depth (Including Door) | 31-3/4" |

More Easy-To-Use Features

Store-More™ Gallon Door Bins
Door storage gives you room for larger items like a gallon of milk.

SpillSafe® Shelves
Designed to keep spills contained, making cleanup a breeze.

EnergySaver™ Plus Technology¹
Our refrigerator will automatically go into an energy-saving mode if not opened for 24 hours.

Ready-Select™ Controls
Easily select options with the touch of a button.

Bright Lighting
Our bright lighting makes it easy to see what's inside.

Attractive Stainless Steel Exterior



ENERGY STAR®

Available in:



Stainless
(S)

¹If this refrigerator door is not opened for 24 hours AND the refrigerator system is set to the 12-hour defrost cycle, then the system automatically goes to a 96-hour compressor run time defrost cycle to conserve electricity.

Signature Features

Store-More™ Organizational System

Our Store-More™ organizational system includes gallon door, stacked drawer, and adjustable door bins to keep food organized and easy to find when you need it.

Store-More™ Crisper Drawers

Keep your fruits and vegetables fresh in our crisper drawers.

PureSource 3®

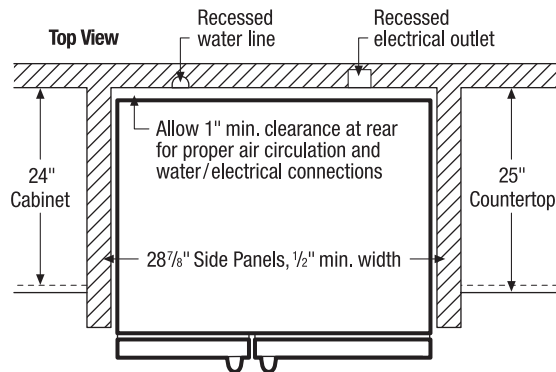
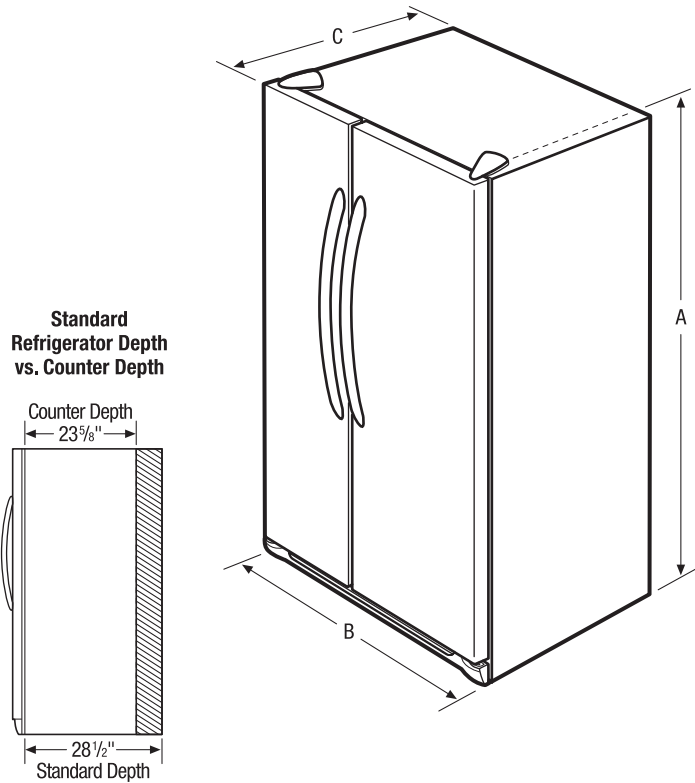
PureSource 3® Water Filtration gives you cleaner, better-tasting water at your fingertips.

Store-More™ Capacity

Our large capacity refrigerator gives you room to store more.

| Features | |
|---|-------------------------------|
| Door Design | UltraSoft™ |
| Door Handle Design | Stainless |
| Cabinet Finish | Black |
| Door Stops/Door Closers | Yes/Yes |
| Door Hinge Covers | Black |
| Rollers - Front/Rear | Adjustable/Yes |
| EnergySaver™ Plus Technology | Yes |
| Water Filter Location | Top Right Rear |
| Sound Package | Quiet Pack |
| Dispenser | |
| Controls | Ready-Select™ |
| Dispenser Design | Short, 2-Paddle |
| Number of Dispenser Buttons | 4 |
| Crushed Ice/Cube Ice/Chilled Water | Yes/Yes/Yes |
| Ice Option/Freeze Option | |
| Display On/Off Option | |
| Lock/Light | No/Yes |
| Temp/Door Ajar/Power Failure Alerts | |
| Water Filter Change Indicator Light | |
| Air Filter Change Indicator Light | |
| Refrigerator Features | |
| Interior Lighting | Bright |
| Water Filter Type/Air Filter Type | PureSource 3 [*] /No |
| Fixed Shelves | 3 SpillSafe® |
| SpaceWise™ Sliding Shelves | |
| Cool Zone™ Drawer | |
| Wine/Can Rack | |
| Upper Crisper/Lower Crisper | 1 Clear/1 Clear |
| Humidity Controls | |
| Dairy Compartment | 1 Clear |
| Fixed Door Bins | 2 Two-Liter White |
| Adjustable Door Bins | 2 One-Gallon White |
| Non-Slip Bin Liner/Bottle Retainers | |
| Condiment Bin | Yes |
| Freezer Features | |
| Door Bins/Tilt-Out Wire Door Bins | 4 White/No |
| Fixed Shelves | 1 Flip-Out /2 Wire |
| Full Extension Baskets | |
| Standard Baskets | Yes |
| Full Freezer Baskets | 1 Plastic |
| Half Freezer Baskets | |
| Ice Cream Shelf/Pizza Shelf | |
| SpaceSaver™ Shelf | |
| Lighting | Bright |
| Certifications | |
| ENERGY STAR® | Yes |
| Specifications | |
| Total Capacity (Cu. Ft.) | 26 |
| Refrigerator Capacity (Cu. Ft.) | 16.5 |
| Freezer Capacity (Cu. Ft.) | 9.5 |
| Power Supply Connection Location | Right Bottom Rear |
| Water Inlet Connection Location | Left Bottom Rear |
| Voltage Rating | 120V/60Hz/15 or 20A |
| Connected Load (kW Rating) @ 120 Volts ¹ | 1.02 |
| Amps @ 120 Volts | 8.5 Amps |
| Minimum Circuit Required (Amps) | 15 |
| Shipping Weight (Approx.) | 300 Lbs. |

¹For use on adequately wired 120V, dedicated circuit having 2-wire service with a separate ground wire. Appliance must be grounded for safe operation.



NOTE: Always consult local and national electric and plumbing codes. Refer to Product Installation Guide for detailed installation instructions on the web at frigidaire.com.



| Product Dimensions | |
|---------------------------------------|---------|
| A - Height (Incl. Hinges and Rollers) | 69-3/8" |
| B - Width | 36" |
| C - Depth (Incl. Door) | 31-3/4" |
| Depth with Door Open 90° | 49-3/4" |