

Slide-In Ranges

FFES3015L S/W/B

30" Electric



Product Dimensions

Height (Adjustable)	35-5/8" - 36-5/8"
Width	30"
Depth	28-5/16"

More Easy-To-Use Features

Store-More™ Storage Drawer
Our convenient drawer gives you extra storage space in your kitchen.

Quick Clean
For a quick, light oven cleaning.

Extra-Large Window
Our extra-large oven window lets you easily see what's inside.

Delay Start Baking Option

Delay Clean
Set the oven to begin cleaning on your schedule.

Hi/Lo Broil Option
Offers two-position broiling and variable temperature control for more control.

Auto Shut-Off
As an extra safety measure, the oven will automatically shut off after 12 hours.

Timed Cook Option

Attractive Stainless Steel Exterior¹

A.D.A. Compliant²
Sabbath Mode (Star-K® Certified)

Available in:



Elements	Size	Watts
Right Front	8"	2,600
Right Rear	6"	1,500
Left Front	6"	1,500
Left Rear	8"	2,600

Signature Features

Ready-Select™ Controls

Easily select options or control cooking temperature with our easy-to-use controls.

Large Capacity

Our large capacity oven gives you room to cook more at once.

One-Touch Self Clean

Start the self-cleaning cycle with just the touch of a button.

Even Baking Technology

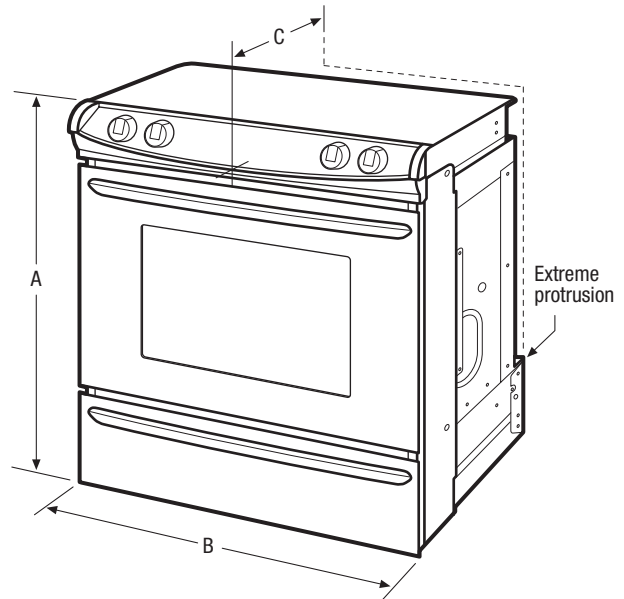
Our latest technology ensures even baking every time.

¹Select model only.

²When properly installed, meets the appliance standards in the Americans with Disabilities Act and the Architectural Barriers Act Accessibility Guidelines as published by the United States Access Board on June 23, 2004, as amended August 5, 2005.

Features	
Oven Control/Timing System	Ready-Select™ Controls
Surface Type	Black Porcelain (S), Color-Coordinated Porcelain (W/B)
Window	Extra-Large
Exterior Door Finish	Stainless Steel (S), Color-Coordinated (W/B)
Handle Design	Black (S), Color-Coordinated (W/B)
Exterior Finish	Black (S), Color-Coordinated (W/B)
Convection System	
Cleaning System	Self Clean
Drawer Functionality	Storage
Oven Controls	
Bake	Yes
Broil	Low and High
Add-a-Minute	
Delay Bake	Yes
Self Clean	2, 3 Hours (Scroll Thru)
Quick Clean	Yes
Delay Clean	Yes
Kitchen Timer	Yes
Timed Cook Option	Yes
Auto Oven Shutoff	12 Hours
Cooktop Features	
Right Front Coil Element (Watts)	8" - 2,600
Right Rear Coil Element (Watts)	6" - 1,500
Left Front Coil Element (Watts)	6" - 1,500
Left Rear Coil Element (Watts)	8" - 2,600
Center Element (Watts)	
Drip Bowls	Chrome
Hot Surface Indicator Light	
Oven Features	
Capacity (Cu. Ft.)	4.2
Oven Light	Yes
Hidden Bake Element	
Rack Configuration	2 Handle Racks
Even Baking System	Yes
Broiling System	Vari-Broil™ Hi/Lo
Bake Element/Broil Element (Watts)	2,750/3,400
Certifications	
A.D.A. Compliant ¹	Yes
Sabbath Mode (Star-K® Certified)	Yes
Specifications	
Oven Interior (H x W x D)	16-1/2" x 24-1/8" x 18-1/32"
Power Supply Connection Location	Left Bottom Rear
Voltage Rating	240V/208V/60Hz
Connected Load (kW Rating) @ 240/208 Volts	11.6/8.7
Amps @ 240/208 Volts	43.7/41.8
Minimum Circuit Required (Amps)	40
Shipping Weight (Approx.)	175 Lbs.

¹When properly installed, meets the appliance standards in the Americans with Disabilities Act and the Architectural Barriers Act Accessibility Guidelines as published by the United States Access Board on June 23, 2004, as amended August 5, 2005.



NOTE: Always consult local and national electric codes. Refer to Product Installation Guide for detailed installation instructions on the web at frigidaire.com.



Product Dimensions	
A - Height (Adjustable)	35-5/8" - 36-5/8"
B - Width	30"
C - Depth	28-5/16"
Depth with Door Open 90°	45-1/2"

Cutout Dimensions	
Height	35-7/8" min. 36-5/8" max.
Width	30-1/16" max.*
Depth	21-3/4" min 22-1/8" max.**

*Cutout and countertop cutout width should match.
**24" with optional backguard installed.

Installation accessories available on the web at frigidaire.com