

LT-55154

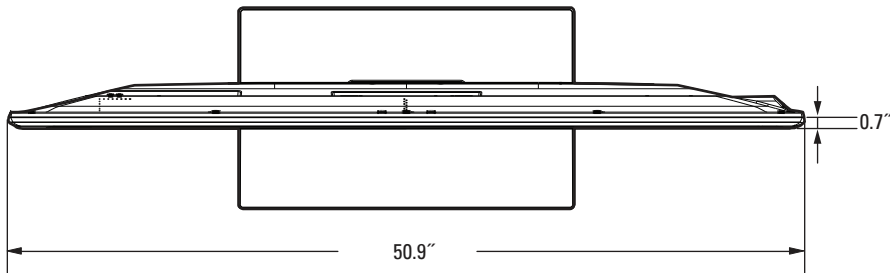
UNISEN™ IMMERSIVE SOUND LED TELEVISION



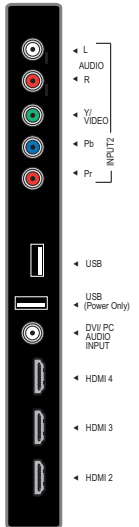
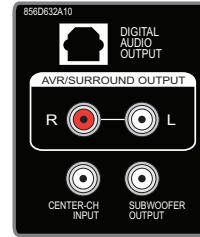
**OVERALL DIMENSIONS (Approx.)**

Height	Width	Depth	TV Weight	Operating Power Consumption
33.1"	50.9"	2.9"	63.6 lbs.	140 watts

**TOP**

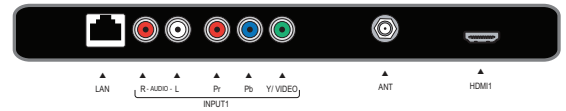


**BACK PANEL**

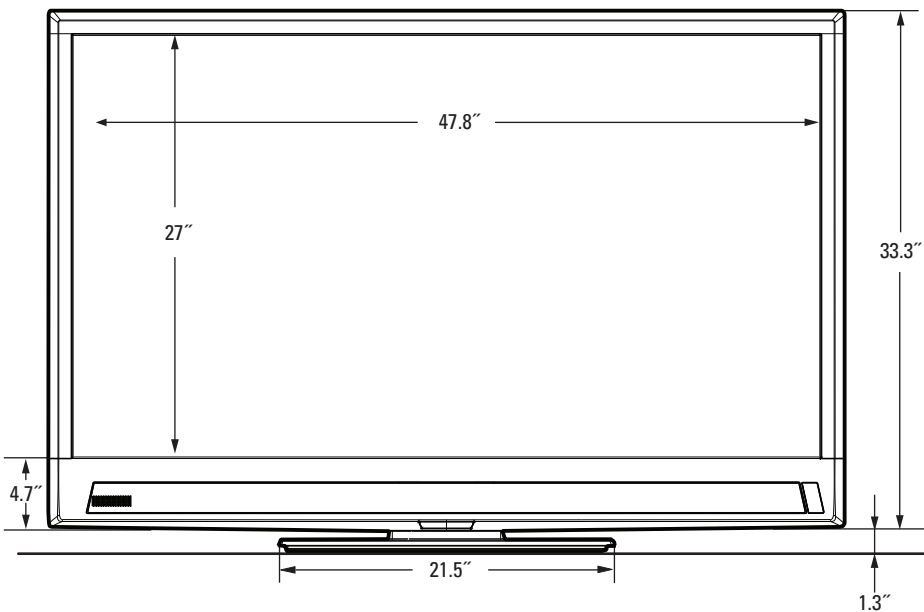


**SIDE PANEL**

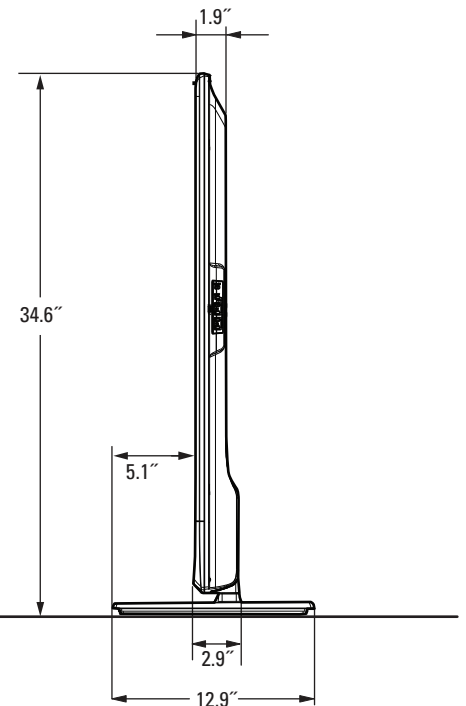
**BOTTOM PANELS**



**FRONT**



**LEFT SIDE**



Note: Illustrations not necessarily to scale.

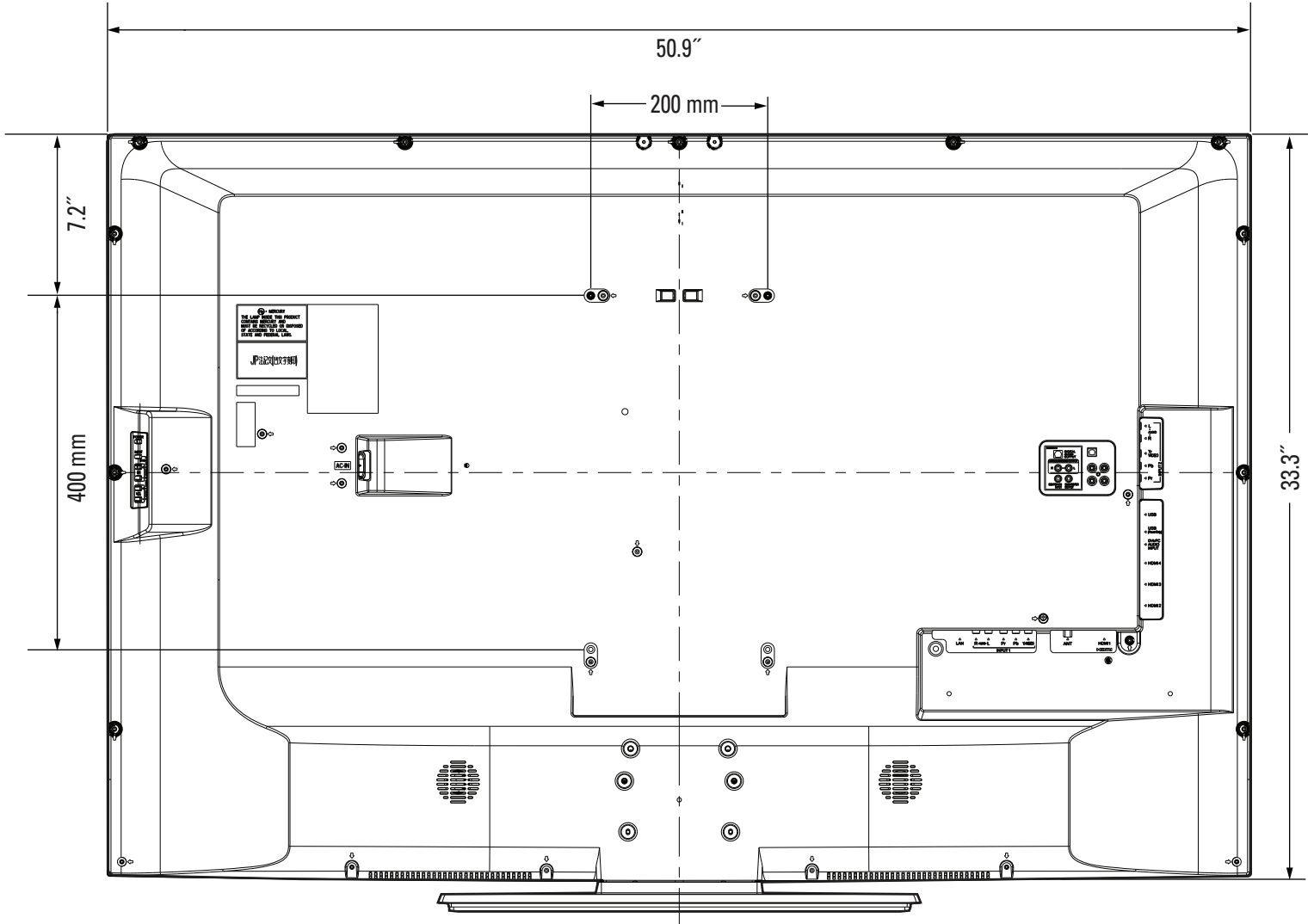
Descriptions and specifications subject to change without notice. The dimensions are approximate for general information when deciding the locations and placements of the product. When creating a custom-built environment for this product, please take exact measurements from the specific unit to be installed before doing any finished carpentry. When installing the unit, allow for air circulation, ventilation, and variations due to manufacturing tolerances. The cosmetic appearance of the product may vary from that depicted here. Not responsible for typographical or printed errors.

LT-55154

UNISEN™ IMMERSIVE SOUND LED TELEVISION



### WALL-MOUNT SCREW HOLE LOCATION



Note: Illustrations not necessarily to scale.

Descriptions and specifications subject to change without notice. The dimensions are approximate for general information when deciding the locations and placements of the product. When creating a custom-built environment for this product, please take exact measurements from the specific unit to be installed before doing any finished carpentry. When installing the unit, allow for air circulation, ventilation, and variations due to manufacturing tolerances. The cosmetic appearance of the product may vary from that depicted here. Not responsible for typographical or printed errors.