

EOR, MOR



27", 30", 36" Wide, Double, Renaissance Wall Ovens

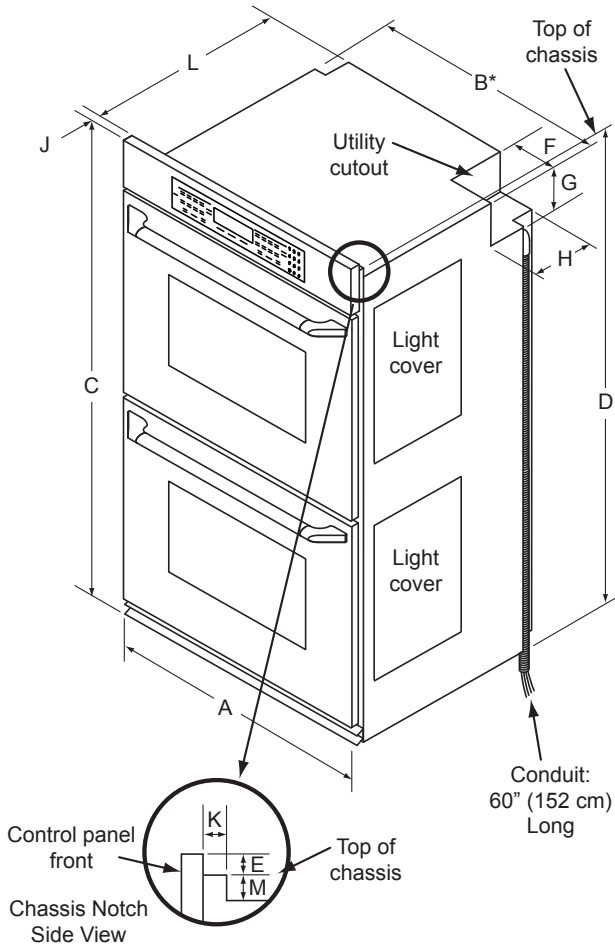
PLANNING GUIDE

All tolerances: $\pm 1/16"$ (± 1.6 mm) unless otherwise stated



WARNING

- Observe all governing codes and ordinances during planning and installation. Contact your local building department for further information.
- This appliance must be installed in accordance with the accompanying installation instructions.



Model Number	(A) Overall Width	(B)* Chassis Width	(C) Overall Height	(D)** Chassis Height	(E) Control Panel Overlay
EORX227/ MORX227	26 7/8" (68.3 cm)	25 3/8" (64.5 cm)	49 15/16" (127.0 cm)	49 1/16" (124.6 cm)	7/8" (2.2 cm)
EORX230/ MORX230	29 7/8" (75.9 cm)	28 3/8" (72.1 cm)			

X = Number of convection ovens: S = single, D = double

* Width at light covers on sides

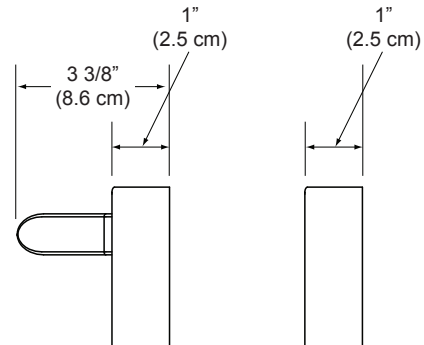
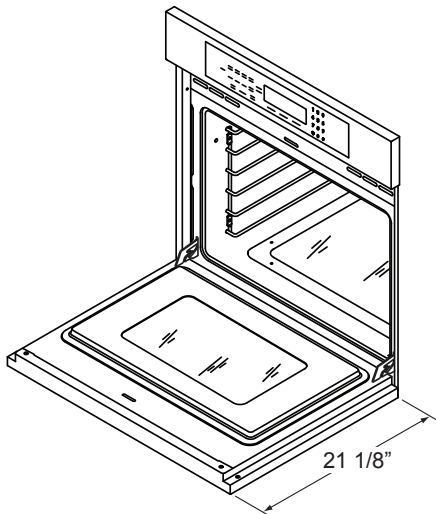
** To top of chassis notch behind control panel

Model Number	Dedicated Circuit Requirements	Total Connected Load
EORS227	240 Vac 60 Hz, 4-wire***, 40 Amp.	7.8 kW (33 Amp.)
MORS227		
EORS230		
MORS230		
EORD227	240 Vac 60 Hz, 4-wire***, 50 Amp.	10.0 kW (42 Amp.)
MORD227		
EORD230		
MORD230		

*** Two 120 Vac hot (L1 and L2), one neutral, one ground

The above specifications are for reference only. See the appliance data plate for exact specifications.

	(F) Utility Cutout Width	(G) Utility Cutout Height	(H) Utility Cutout Depth	(J) Control Panel Depth	(K) Notch Depth	(L) Chassis Depth	(M) Notch Height
All models	5" (12.7 cm)	5 1/4" (13.3 cm)	6" (15.2 cm)	1" (2.54 cm)	1 1/8" (2.9 cm)	24" (61.0 cm)	1" (2.5 cm)



EPICURE

MILLENNIA -
HANDLE IS INTEGRAL

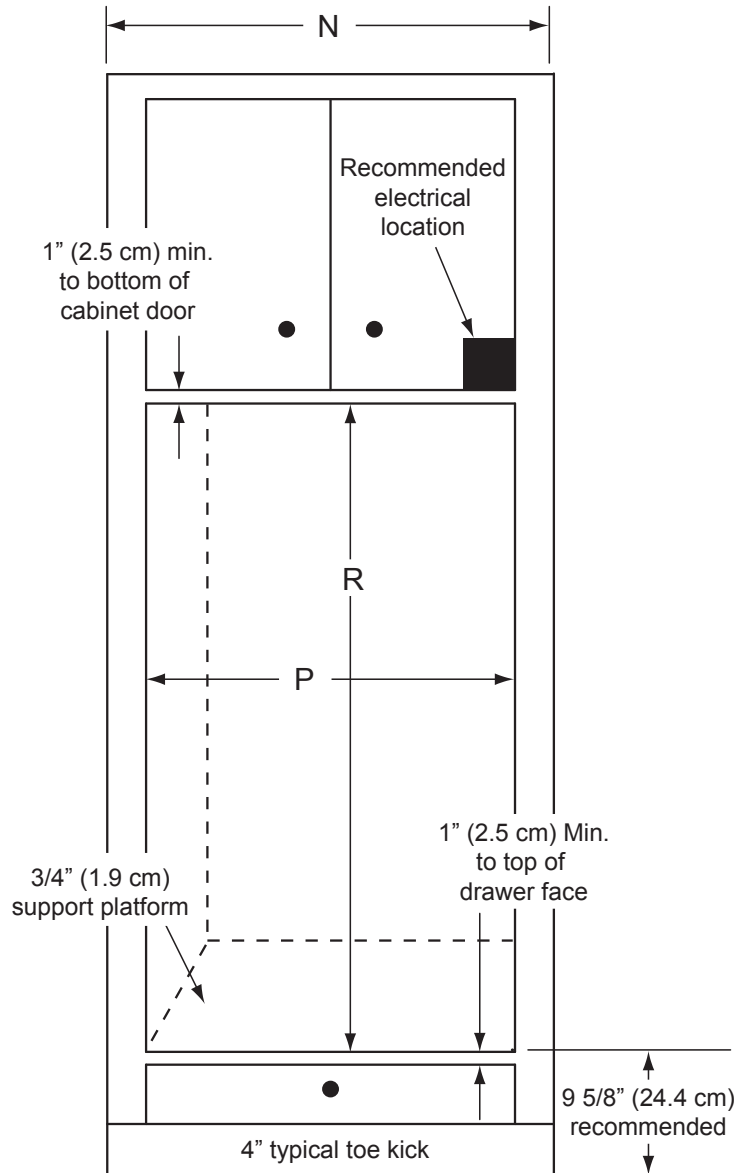
EOR, MOR



27", 30", 36" Wide, Double, Renaissance Wall Ovens

PLANNING GUIDE

All tolerances: +1/16", -0, (+1.6 mm, -0) unless otherwise stated



DOUBLE WALL OVEN - CUT OUT DIMENSIONS

Model Number	(N) Minimum Cabinet Width	(P) Minimum Cut Out Width	(R) Minimum Cut-out Height
EORX227/ MORX227	27" (68.6 cm)	25 1/2" (64.8 cm)	49 1/8" (124.8 cm)
EORX230/ MORX230	30" (76.2 cm)	28 1/2" (72.4 cm)	

X = Number of convection ovens: S = Single, D = Double