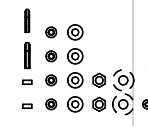
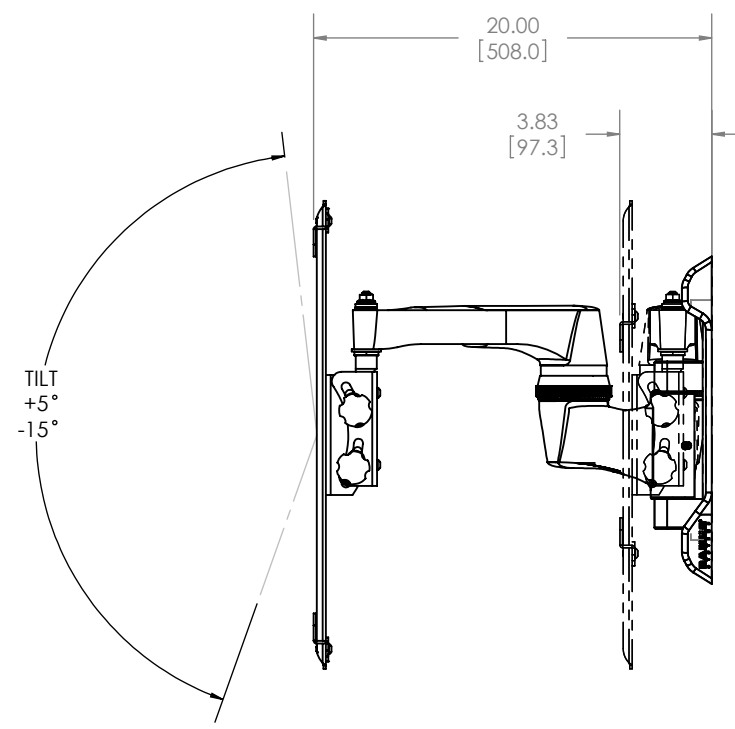
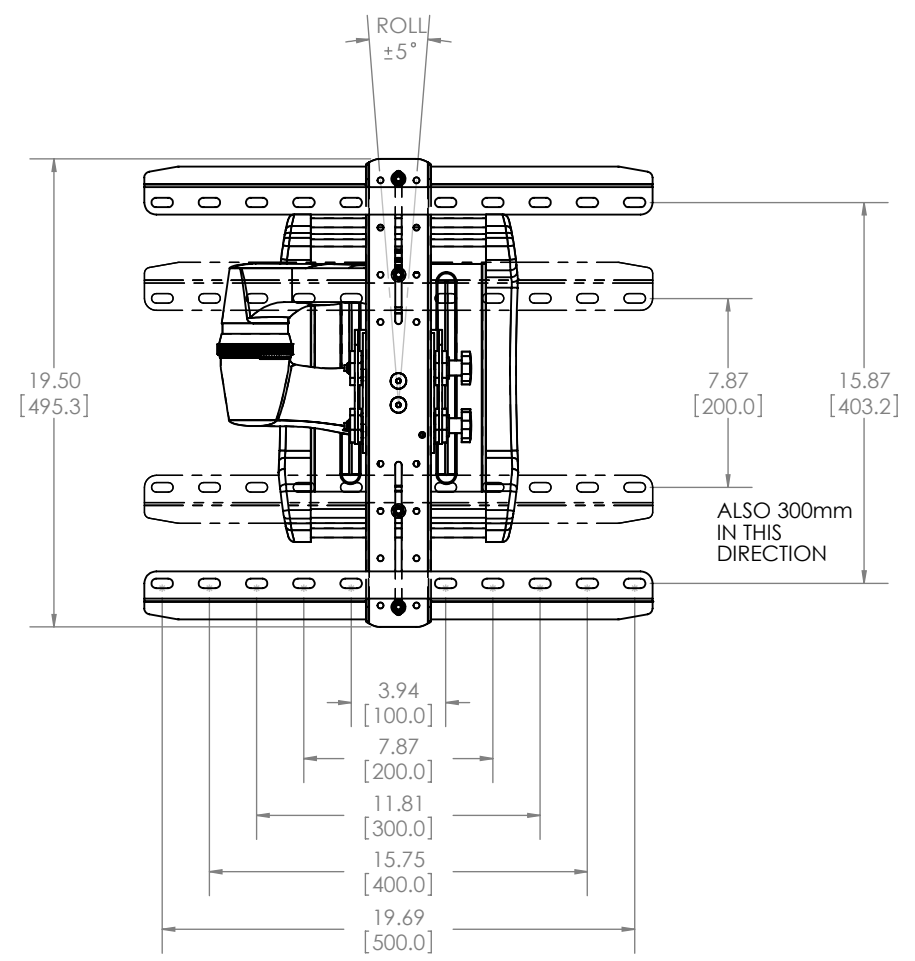
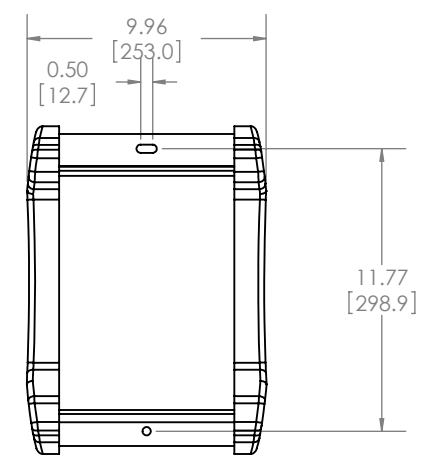
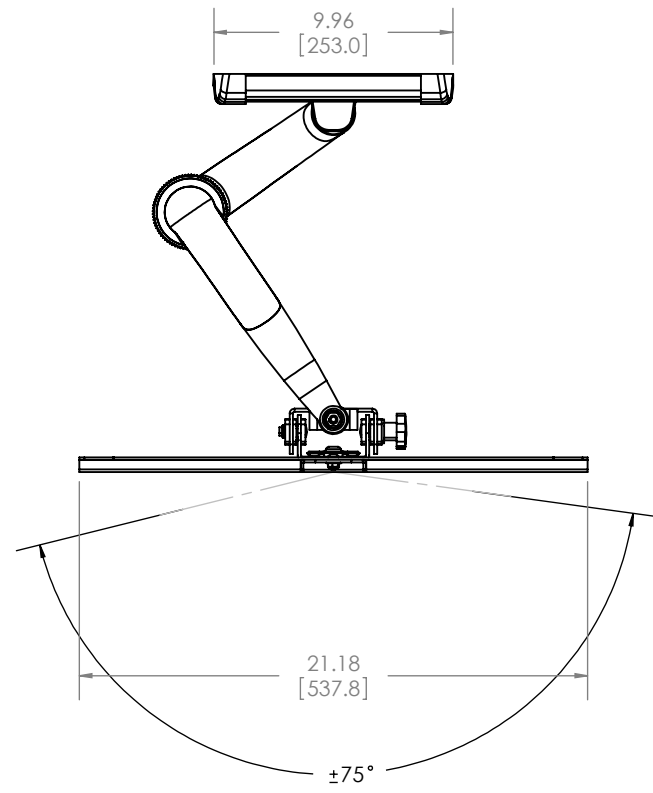


8 7 6 5 4 3 2 1

D  
C  
B  
A

D  
C  
B



**PROPRIETARY AND CONFIDENTIAL**  
 THE INFORMATION CONTAINED IN THIS DRAWING IS THE SOLE PROPERTY OF SANUS SYSTEMS, A PRODUCT DIVISION OF MILESTONE AV TECHNOLOGIES. ANY REPRODUCTION IN PART OR AS A WHOLE WITHOUT THE WRITTEN PERMISSION OF SANUS SYSTEMS IS PROHIBITED.  
 专有且机密资料  
 本信息属 SANUS SYSTEMS 公司专属财产, 非经 SANUS SYSTEMS 书面许可, 严禁复制其中任何内容

NAME 姓名	DATE 日期
ENGINEER 工程师 STR	6/24/09
DESIGNER 设计师 MRR	6/24/09
APPROVED 批准 STR	6/24/09

NOTES 注释:

**SANUS**  
 SYSTEMS  
 DESCRIPTION 描述: VMF220

SIZE 尺寸	DWG. NO. 图纸编号	REV 修订
<b>B</b>	VVMF220	01

8 7 6 5 4 3 2 1