

# Sound & Light in One Unit

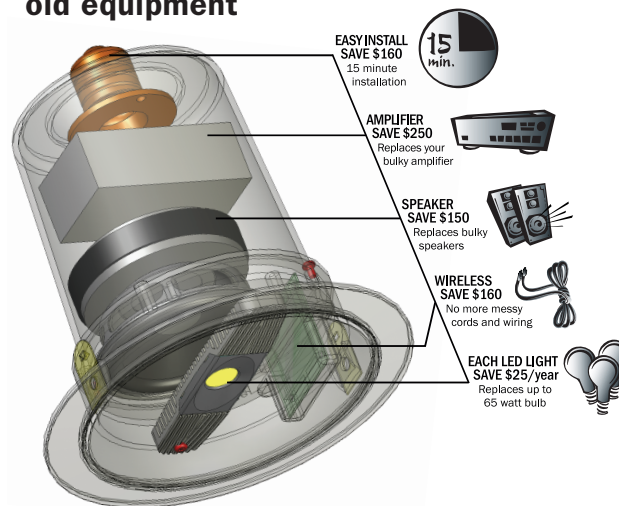
Brilliant LED lights & wireless sound –  
where you live.

Enjoying music throughout your home has never been easier—or more enlightening. The Klipsch® LightSpeaker® is the first product to combine efficient LED lighting and wireless ambient sound into a single unit that installs like a light bulb.



**LIGHT  
Speaker**  
ENLIGHTEN YOUR AUDIO

All components elegantly replace your  
old equipment



The LightSpeaker System can pay for itself in 5 years through savings on installation, equipment and everyday usage of the LED green lighting.

Purchase additional LightSpeakers, LED lights, rechargeable RockSpeakers and other accessories at [www.klipsch.com](http://www.klipsch.com).



## Sound & Light in One Unit

Installs like a light bulb

## Brilliant LED Light

The LightSpeaker comes with a fully dimmable LED bulb that is rated for 40,000 hours of use, meaning it could last 15 years or more! It also reduces daily lighting expenses by 80%, using 10 watts to produce light that's bright enough to replace up to a 65 watt bulb. Unlike incandescent bulbs, LED light bulbs contain no mercury or halogen gases and produce almost no heat.

## Full-Range Sound Performance

The LightSpeaker's full-range internal speaker uses a 20 watt high-performance, low-distortion digital amplifier to deliver energy efficient sound. Furthermore, the 2.5-inch wide dispersion driver uses digital signal processing to optimize high- and low-frequency output for a full spectrum of sound.



## Multi-Room Music

The LightSpeaker adds brilliant light and ambient music to your kitchen, living room, master bath—even your garage—in mere minutes. It's also a great hidden multi-room music solution for apartment dwellers and home renters who can't retrofit or wire their living spaces.

In order to deliver music wirelessly throughout your home, the LightSpeaker relies on a standalone transmitter. A music source, such as a laptop, iPod, TV or home stereo system, connects to the transmitter, which wirelessly sends the sound to the LightSpeaker.

You can connect two music sources to the transmitter as well as establish two separate listening zones in your home. For example, you can have a LightSpeaker in the kitchen playing classical music, while the LightSpeaker in the living room plays rock and roll.

- Up to eight LightSpeakers can be used in a system
- Transmitter wirelessly streams audio up to 50 feet in any direction
- Utilizes proprietary 2.4GHz wireless technology
- Transmitter accepts two different music sources
- Establish two separate listening zones in your home
- Remote or transmitter controls all system functions



## Installs in 10 Simple Steps or Less

The LightSpeaker is truly a do-it-yourself product. It installs like a light bulb and fits almost any fixture with a standard Edison socket, such as 5- and 6-inch recessed can lighting, hanging lights and floor lamps. There's no wiring, no retrofitting, no software—it's so easy anyone can do it. Plus, uninstalling the LightSpeaker is just as simple, so you can take it with you if you move.