

# 4N1-S product information sheet

## Product Specifications

**Fits most:** 13" - 32" flat panels

**Supports up to:** 40 lbs (18.1kg)

**Tilt:** -5° to +15°

**Mounting profile:** 2.2" (56mm)

**Maximum extension:** 7.3" (185mm)

**VESA compliant:** 75x75 to 100x200

**Mounting:** Single-stud

**UL listed:** Yes

**Warranty:** 5 years

**Color:** Black

## Product Benefits

- New VESA plate design increases panel compatibility
- Tilt, pan and swivel for maximum viewing flexibility
- Lift n' Lock™ allows you to easily attach your flat panel to the mount
- Hidden compartment for allen wrench
- Locking system secures panel to mount
- Simple to install and use
- Includes complete hardware kit



With its innovative injection molded body, the 4N1-S has not only a striking design, but also a lightweight one



## Series



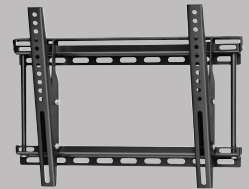
1N1-S



3N1-S



4N1-M\*



2N1-M\*\*



3N1-PJT

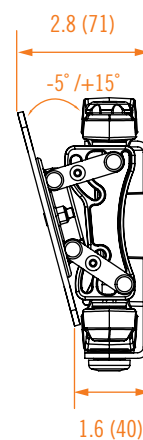
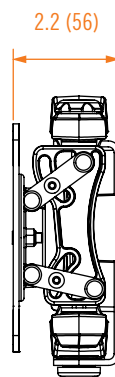
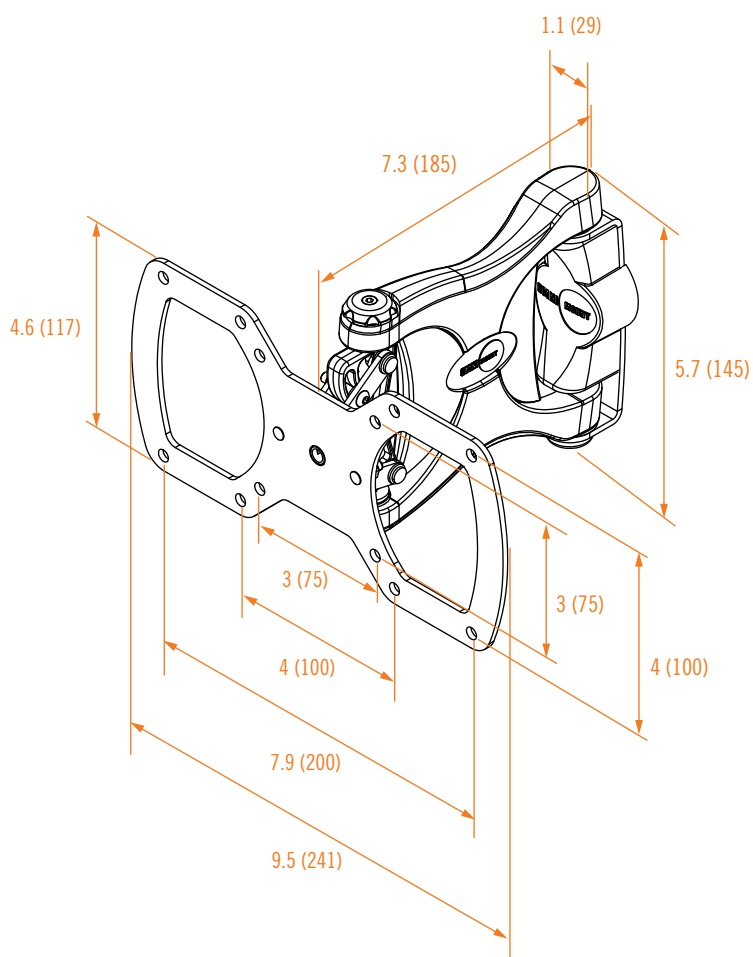
\*Also available in small and large

\*\*Available in medium and large, fixed and tilt

OmniMount, an innovator of A/V mounts and furniture for more than a quarter century, is the choice of professional installers and the brand most recommended by flat panel manufacturers. The WorldMount™ Series offers maneuverability, adaptability and a stylish look – all at an affordable price. The 4N1-S is ideal for entry-level consumers looking for an easy-to-use small mount with tilt, pan and swivel capabilities.



# 4N1-S line drawing



inches (mm)

# 4N1-S technical data sheet



OmniMount, an innovator of A/V mounts and furniture for more than a quarter century, is the choice of professional installers and the brand most recommended by flat panel manufacturers. The WorldMount™ Series offers maneuverability, adaptability and a stylish look – all at an affordable price. The 4N1-S is ideal for entry-level consumers looking for an easy-to-use small mount with tilt, pan and swivel capabilities.



## Product Specifications

**Fits most:** 13" - 32" flat panels

**Supports up to:** 40 lbs (18.1kg)

**Tilt:** -5° to +15°

**Mounting profile:** 2.2" (56mm)

**Maximum extension:** 7.3" (185mm)

**VESA compliant:** 75x75 to 100x200

**Mounting:** Single-stud

**Warranty:** 5 years

**Color:** Black

## Product Benefits

- New VESA plate design increases panel compatibility
- Tilt, pan and swivel for maximum viewing flexibility
- Lift n' Lock™ allows you to easily attach your flat panel to the mount
- Hidden compartment for allen wrench
- Locking system secures panel to mount
- Simple to install and use
- Includes complete hardware kit

	Stock Code	Packaging UPC	MC UPC
Americas	1004205-1	728901016745	728901710032
International	NA	NA	NA

	Dimensions WxDxH inches (mm)	Wt lbs (kg)
Product Box	13 x 6 x 2.3 (330x152x57)	2.4 (1)
Master Carton	13 x 10 x 6.5 (330x254x165)	11 (5)

Box Contents	Qty
Wall plate	1
Wall plate cover	1
Arm	1
VESA adapter	1
Complete mount installation hardware kit	1
Complete panel attachment hardware kit	1
Instruction manual	1
Flat panel compatibility chart	1