

42" CLASS (42.0" DIAGONAL)

37" CLASS (37.0" DIAGONAL)

32" CLASS (31.5" DIAGONAL)

42LG500H HI GLOSS BLACK

37LG505H MATTE BLACK

37LG500H HI GLOSS BLACK

32LG505H MATTE BLACK

32LG500H HI GLOSS BLACK

LCD TV

LCD Widescreen

HDTV with HD-PPV Capability



 EcoSmart™
Intelligent Sensor
Dynamic Power Savings
Static Power Savings

 RoHS COMPLIANT

HD VOD PPV ENCRYPTION
Integrated Pro:Idiom®

MPEG-2/MPEG-4 H.264
DECODING

IMPROVED! DYNAMIC CONTRAST RATIO
20,000:1

NATIVE DISPLAY RESOLUTION
1366 x 768

BUILT-IN TUNER
ATSC/NTSC/QAM Clear

LG's EXCLUSIVE XD ENGINE®

SPLIT SCREEN
Using optional auto-sensing
remote jack pack (RJP)

NEW! INVISIBLE SPEAKER CABINET STYLE
Includes 180° Swivel Base

AUTO-SENSING REMOTE JACK PACK
(RJP) COMPATIBLE

OPTIONAL SECURITY SCREWS INCLUDED

CUSTOMIZABLE CLOSED CAPTIONS

2 HDMI™ V1.3 INPUTS WITH HDCP

2-YEAR LIMITED WARRANTY
parts/labor

NOTE: If using DIRECTV's™ Free-To-Guest, an additional card may be required.
*See individual spec sheet for more details on LMT727 card.



green LIFE'S GOOD...

WHEN IT'S GREEN.

LG is committed to improving product development, manufacturing and usage to meet the demand for environmentally friendlier products. Our LG500H/LG505H televisions have technologies to reduce power consumption and in return increase **cost savings** per room. We've also placed limits in the amounts of harmful materials used in these televisions.

EcoSmart

- Intelligent Sensor - Continually monitors room light conditions to automatically optimize the picture quality for a more enjoyable viewing experience, which can help save energy.
- Dynamic Power Savings - Using built-in algorithms, TV will automatically reduce the power consumption based on incoming video, while maximizing picture performance.
- Static Power Savings - Picture brightness level can be set at the preferred power consumption level to reduce power and increase energy savings.
- **RoHS Compliant** - Meets directive on restriction of hazardous substances.

OPTIONS

AVAILABLE FINISHES

- 42LG500H (high gloss black)
- 37LG500H (high gloss black)
- 32LG500H (high gloss black)



- 37LG505H (matte black)
- 32LG505H (matte black)



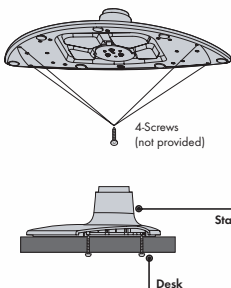
CLONING PROGRAMMER REMOTE



LT2002
QUICKSET II "CLONE"

The optional LT2002 allows for custom setup and programming information to be quickly copied from a "master" LG or Zenith brand LCD, Plasma, or CRT TV (with the MPI™ input) into an unlimited number of identical models. This saves the installers hours of time duplicating the hotel TV settings, such as minimum volume, maximum volume, start up channel, channel mapping, etc.

MOUNTING HOLES ON STAND ATTACHING THE TV TO A DESK



ACCESSORIES

FREE-TO-GUEST CARD



HCS1410
FREE-TO-GUEST CARD

Works with Pro:Idiom TVs with MPI™ card slot. Will allow viewing of HD secured Pro:Idiom encrypted content from Pro:Idiom licensed Cable or Satellite providers. Will not work with Free-To-Guest Management Appliance.

LG'S FREE-TO-GUEST COST EFFECTIVE SOLUTION

For Free-To-Guest hotel installations, when using LG's LMT7Z7 Free-To-Guest MPI card plus LG's Free-to-Guest Management Appliance (FMA), virtual channel mapping and other adjustments can be made from the centralized head-end FMA system. This is an added value of time savings and therefore cost savings in labor charges by not having to go room to room for a change of settings.

HOTEL COSTS FOR FREE-TO-GUEST CHANNEL MANAGEMENT (OVER 5 YEARS)

	Labor Costs	LMT7Z7 card price	*FMA MAP price	Total	Savings over other brand
Other brand	\$20 (est.) x 2 times per year (to update channels) x 100 rooms x 5 years			\$20,000	
LG Pro:Idiom TV with LMT7Z7 card plus FMA	\$20 (est.) x once (to install card in set) x 100 rooms	\$39 x 100 rooms	\$1,999	\$7,899	\$12,101

* FMA MAP price subject to change.

FREE-TO-GUEST MANAGEMENT APPLIANCE

FMA
HEAD-END SYSTEM



Manages channel line-up changes, channel label changes, designates a startup channel, and can set the time/date, and broadcast that information to all the terminals on a regular basis. Also, enables Pro:Idiom tuning for Pro:Idiom encrypted content. Works in conjunction with FMT7Z7 card.

FREE-TO-GUEST CARD



LMT7Z7
FREE-TO-GUEST CARD

Works with Pro:Idiom TVs with MPI card slot. Will allow viewing of HD secured Pro:Idiom encrypted content from Pro:Idiom licensed Cable or Satellite providers. Works with FMA system. Will work with Pay-Per-View systems if needed in the future.

XD ENGINE

SHARPER
BRIGHTER
CLEARER



Dramatization



Dramatization

Six distinct processes contribute to picture improvement. LG's XD Engine takes the low resolution of analog signals to near HD levels by improving brightness, contrast, detail and enhancing color as well as reducing signal noise.

DIMENSIONS

Pro:Idiom®

DIGITAL RIGHTS MANAGEMENT SYSTEM

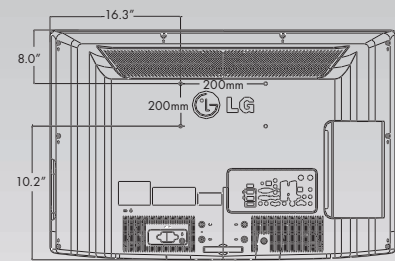
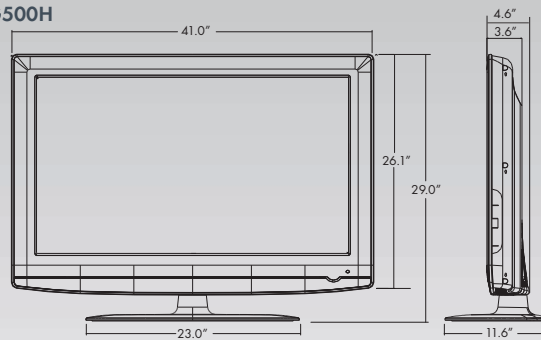
The Pro:Idiom system's high-quality security unlocks access to premium content availability to help assure rapid, broad deployment of HDTV and other high value digital content. Pro:Idiom has been designed specifically for industries that use premium HDTV content from cable, satellite or video on demand (VOD) services and as such, could result in lower costs, and reduced maintenance. This system is one of the leading DRM systems embraced by content providers for both of these key programming sources. By using this embedded approach, security is provided and helps eliminate the possibility of customers tampering with or removing needed components.

MPEG-4 TECHNOLOGY

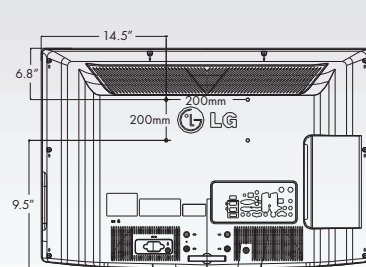
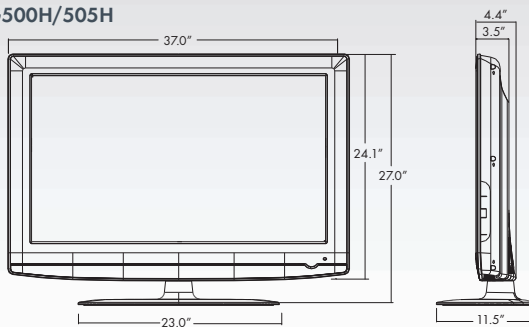
(Moving Picture Experts Group) MPEG-4 decodes and delivers high-definition programming it receives via satellite. The advanced coding system is compatible with national and local HD channels, along with digital HD channels currently launched by DIRECTV. LG built this technology into its LG500H/505H series TVs to deliver pure HD without the need for an external box*.

* Certain functions, such as Pay-Per-View, may require a set-top box.

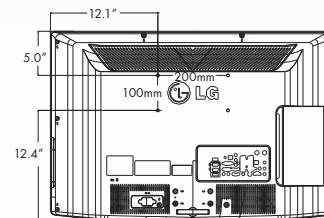
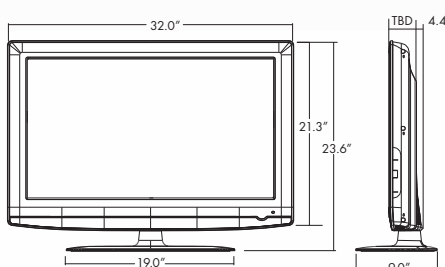
42LG500H



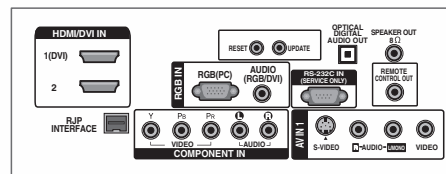
37LG500H/505H



32LG500H/505H



MPI SLOT REAR JACK PANEL



SIDE JACK PANEL



42LG500H HI GLOSS BLACK
37LG505H MATTE BLACK
37LG500H HI GLOSS BLACK
32LG505H MATTE BLACK
32LG500H HI GLOSS BLACK

42" CLASS (42.0" DIAGONAL)

37" CLASS (37.0" DIAGONAL)

32" CLASS (31.5" DIAGONAL)

SPECIFICATIONS

PANEL

LCD Panel Type	42" (42LG500H) 37" (37LG500H/505H) 32" (32LG500H/505H)
Display Area	42.0" diagonal (42LG500H) 37.0" diagonal (37LG500H/505H) 31.5" diagonal (32LG500H/505H)
Dynamic Contrast Ratio	20,000:1
Contrast Ratio	1,200:1 (with AI)
Native Display Resolution	1366 x 768
Maximum Computer Resolution (RGB)	XGA (1024x768)
Brightness	500 cd/m ² typ.
Lamp Life	60,000 hours (approx.)
Viewing Angle (HxV)	178° (Min) x 178° (Typ.) (42") 170° (Min) x 178° (Typ.) (37", 32")
Response Time	< 8ms

VIDEO

ATSC/NTSC/QAM Clear Tuner	Built-in
Comb Filter	3D Digital
Color Temperature	Cool, Normal, Warm
3:2 Pull Down Cinema Correction	Yes
Aspect Ratio Adjustment	7 Modes
EZ Picture Selection Mode	5 Modes (daylight, normal, nighttime, user1, user2)
XD Engine	Yes (Auto, Manual, Contrast, Color, NR, MPEG NR)
Blue/Black Stretcher	Yes
All Format Converter	1080i/720p/480p/480i~768p
Enhanced Video	Yes
DLTI (Digital Luminance Transient Improver)	Yes
DCTI (Digital Color Transient Improver)	Yes
Decoder Formats	MPEG-2/MPEG-4 H.264 (full HD real time decoding, AC-3 decoding)

AUDIO

Audio Power	20W (10W x 2)
Speaker System Details	2 Way 4 Speaker
3D EchoSound System	Yes
Dolby Digital Decoder	Yes
Bass/Treble/Balance	Yes
EZ SoundRite (Auto Volume Limiter)	Yes
EZ Sound/Sound Selection Mode	6 Modes (normal, stadium, news, music, theater, user)
Mute	Yes
Mono/Stereo/SAP	Yes

INPUTS/OUTPUTS

RF In	1 (ATSC/NTSC)
HDMI V1.3	Inputs 2
RGB In (PC/DTV Input)	1 (XGA Max. Resolution)
S-Video In	1 Rear/1 Side
Composite Video & Audio L/R In	1 Rear/1 Side
Digital Audio Out (Optical)	1
PC Audio In (RGB/DVI with adaptor)	1
Component HD/DVD & Audio L/R In	1 (Y, Pb, Pr) - 480i/p, 720p, 1080i
Speaker Out	1 (8 ohm symbol, Mono)
RS-232C Input (Service Only)	1
Remote Control Out (IR)	1
RJ45 for RJP Interface	1
MPI™ (RJ11) Slot Interface	1

REQUIRED LISTINGS

UL, c-UL, NOM, FCC	Yes
RoHS Compliant	Yes

SPECIAL FEATURES

Integrated Pro:Idiom	Yes
Picture in Picture/Split Screen	Yes (1 tuner)
Calibration Mode	Yes
Commercial Installation Menu	Yes
Function Menu	Yes
Channel Labeling	Yes
Favorite Channel	Yes
TV Link Protocol	Yes
RJP Plug&Play Support	Yes
Discrete IR Codes	Yes
Trilingual Menus	English/Spanish/French
Sleep Timer, On/Off Timer	Yes
Manual Clock	Yes
Flashback (Previous Channel)	Yes
Parental Control w/V-Chip	Yes
EZ Menus (High Performance Interface)	Yes
Auto/Manual Programming	Yes
Closed Captions (Customizable)	Yes
Remote, Universal w/batteries	Yes
Optional Cloning Programmer Remote	LT2002

CABINET

Dimensions with Stand (W×H×D)	41.0" x 29.0" x 11.6" (42") 37.0" x 27.0" x 11.5" (37") 32.0" x 23.6" x 9.0" (32")
without Stand (W×H×D)	41.0" x 26.1" x 4.6" (42") 37.0" x 24.1" x 4.4" (37") 32.0" x 21.3" x 4.4" (32")
Packaging (W×H×D)	52.4" x 29.4" x 10.0" (42") 47.0" x 26.2" x 10.0" (37") 39.0" x 26.2" x 7.6" (32")
Weight with Stand	49.60 lbs (42") 40.34 lbs (37") 31.09 lbs (32")
Weight without Stand	44.09 lbs (42") 34.49 lbs (37") 27.78 lbs (32")
Weight with Packaging	59.52 lbs (42") 50.71 lbs (37") 38.58 lbs (32")
Cabinet Style	Table Top (with Invisible Speakers)
Security Screws	Yes (attaches stand to neck)
Stand to Desk Mountable	Yes
Table Stand Included	±90°
Power Cord Length	9 ft.
Color	Gloss Black (42LG500H, 37LG500H, 32LG500H) Matte Black (37LG505H, 32LG505H)
VESA Standard Mount Interface	200mm x 200mm, (M6 screw) (42", 37") 200mm x 100mm, (M4 screw) (32")

UPC

42LG500H	7 19192 17507 5
37LG500H	7 19192 17508 2
37LG505H	7 19192 17566 2
32LG500H	7 19192 17509 9
32LG505H	7 19192 17568 6

POWER

Power Consumption (typ.) with Power Saving Modes Disabled	214W (42"), 167.5W (37"), 125W (32")
EcoSmart (Access features through installer menu)	
Intelligent Sensor	Yes
Static Power Savings	Yes
Dynamic Power Savings	Yes
Optional Cloner remote	LT2002

SERVICE/LIMITED WARRANTY

Limited Warranty (Parts/Labor)	2 Years
--------------------------------	---------

www.LGcommercial.com

LG Electronics U.S.A., Inc.
Business Solutions Division
2000 Millbrook Drive
Lincolnshire, IL 60069

Customer Service: 888.865.3026

Contact Your LG Regional Sales Representative:
Hospitality: 800.228.1236
Enterprise: 800.897.8788
Channel: 800.897.8871
Healthcare: 877.793.6484

E-mail: LGcommercial@lge.com

SPEC_LG500H_080907_PR



All screen images are simulated. Dimensions and weights are approximate. Design, features and specifications subject to change without notice.

© Copyright 2009 LG Electronics USA, Inc. All Rights Reserved. "LG Life's Good" is a registered trademark of LG Corp. XD Engine and EcoSmart are registered trademarks or trademarks of LG Electronics, Inc. Pro:Idiom and MPI are trademarks of Zenith Electronics Corp.

VESA is a trademark of Video Electronics Standards Association. HDMI, the HDMI Logo and High-Definition Multimedia Interface are trademarks or registered trademarks of HDMI Licensing LLC. Dolby and the double-D symbol are registered trademarks of Dolby Laboratories. All other product and brand names are trademarks or registered trademarks of their respective companies.

Printed in the USA. August 2009



LG

Life's Good