



humantouch.com
800.355.2762

©2009 Human Touch®, LLC. Patents pending and intellectual property rights enforced.
No medical claims are warranted or implied by the use of this product.
Human Touch is a trademark of Human Touch®, LLC.
iJoy-2310-NA-A0



iJoy-2310

Robotic Massage® Chair

use & care manual



ENG

USE & CARE MANUAL

FRC

MODE D'EMPLOI ET
D'ENTRETIEN

ESN

MANUAL DE USO
Y CUIDADO

Human Touch®
Partners in Your Well-Being

For decades, Human Touch has been a leader in the field of massage products. We create state-of-the-art products that embrace the latest technology while applying the ancient healing art of massage. Balancing your physical and mental needs requires the right mix of proper nutrition, exercise, and massage. Human Touch Massage Systems are vital components for achieving balance between physical and mental well-being.

To learn more about our company and our products, we invite you to visit us on the Internet at: humantouch.com or call our Customer Service Representatives at 800-355-2762.



human touch®
PATENTED
MASSAGE SYSTEM

The Human Touch® Massage System is the preferred technology of the ACCO.
www.accoweb.org



Please send any questions or comments regarding this manual to documentation@humantouch.com

iJoy-2310

welcome to **human touch®**

Your Human Touch massage chair is the perfect bridge between state-of-the-art technology and the ancient healing art of massage. It's a key ingredient for a balanced life—and it's right in your own home!

Your Human Touch massage chair incorporates patented Human Touch® Massage System technology. It emulates the same techniques used by massage and chiropractic professionals for back and spinal care. It's hard to believe it's not human!

To ensure that you don't overlook any of your chair's features, and that you use it safely, read this manual carefully. Then sit back, relax, and enjoy!

humantouch.com

keep it safe

IMPORTANT SAFETY INSTRUCTIONS

When using an electrical appliance, basic precautions should always be followed, including the following:

Read all instructions before using this appliance.

DANGER: To reduce the risk of electrical shock

Always unplug this product from the electrical outlet immediately after using and before cleaning.

WARNING: To reduce the risk of burns, fire, electric shock or injury to persons:

- Do not put hands or fingers near the massage mechanism or rollers while this product is running. Touching the mechanism can result in injury from the rollers squeezing together.
- If the supply cord is damaged, it must be replaced by the manufacturer or its service agent or a similarly qualified person in order to avoid a hazard.
- An appliance should never be left unattended when plugged in. Unplug from outlet when not in use, and before putting on or taking off parts.
- Do not operate under blanket or pillow. Excessive heating can occur and cause fire, electric shock, or injury to persons.
- Close supervision is necessary when this product is used by, on, or near children, invalids, or disabled persons. Keep children away from extended back support (or other similar parts).
- Use this product only for its intended use as described in this manual. Do not use attachments not recommended by the manufacturer.
- Never operate this product if it has a damaged cord or plug, if it is not working properly, if it has been dropped or damaged, or dropped into water. Return this product to a service center for examination and repair.
- Do not carry this appliance by the power cord or use the cord as a handle.
- Always keep the power cord away from heated surfaces.
- Never operate this product with the air openings blocked. Keep the air openings free of lint, hair, and the like.
- Never drop or insert any object into any opening.
- Do not use outdoors.

- Do not operate where aerosol (spray) products are being used or where oxygen is being administered.
- To disconnect, turn all controls to the OFF position, then remove plug from outlet.
- Do not massage any area of the body that is swollen, inflamed or covered with skin eruptions.
- Do not use this product when standing on a damp floor, or when any part of the body is in contact with plumbing or any similar ground.
- Connect this appliance to a properly grounded outlet only. See GROUNDING INSTRUCTIONS.
- Do not use this product if noise above normal sound is heard.
- Do not stand on or in appliance. Use only while seated.
- This appliance is not intended for use by persons (including children) with reduced physical, sensory or mental capabilities, or lack of experience and knowledge, unless they have been given supervision or instruction concerning use of the appliance by a person responsible for their safety. Children should be supervised to ensure that they do not play with the appliance.

Safety Precautions

- Comfortable clothing is recommended while using this product.
- This product was meant to be used in a relaxed position. Never force any body part into the backrest area while the rollers are moving.
- If you feel any abnormal discomfort during the operation of this product, turn off the power immediately and do not use the product. Consult your physician.
- Do not sit on the controller.
- Do not pull on the AC cord.
- When using this product after it has been in storage, check to see that the product is operating properly prior to use.
- Always confirm that there are no obstacles behind the product and that there is sufficient space to recline.

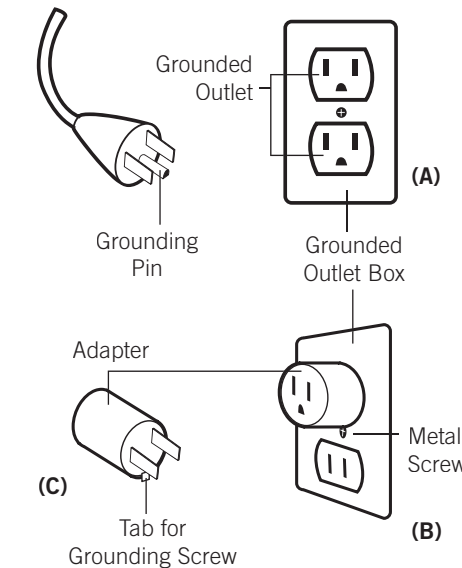
SAVE THESE INSTRUCTIONS

Do not attempt to repair this product yourself.

This product is designed for personal in-home use. Commercial use will void warranty.

For all grounded cord-connected products:

Grounding methods:



The use of a temporary adaptor is not permitted in Canada.

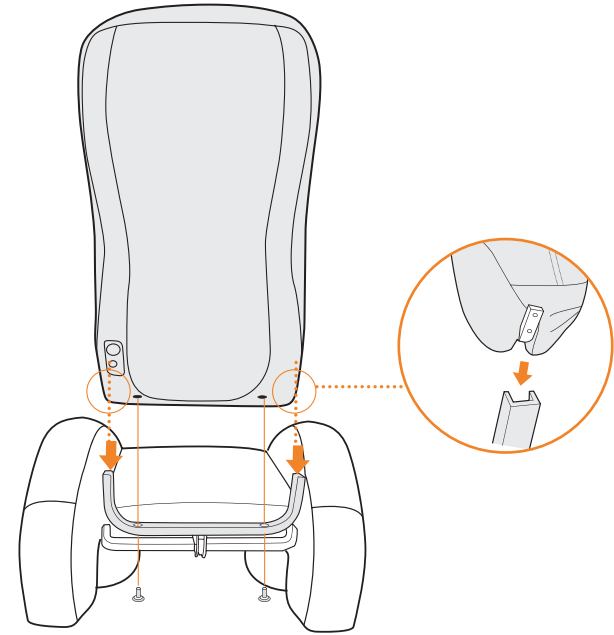
Grounding Instructions:

This product must be grounded. If it should malfunction or breakdown, grounding provides a path of least resistance for electrical current to reduce the risk of electric shock. This product is equipped with a cord having an equipment-grounding conductor and a grounding plug. The plug must be plugged into an appropriate outlet that is properly installed and grounded in accordance with all local codes and ordinances.

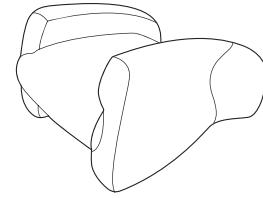
DANGER: Improper connection of the equipment-grounding conductor can result in a risk of electronic shock. Check with a qualified electrician or serviceman if you are in doubt as to whether this product is properly grounded. Do not modify the plug provided with the product – if it will not fit the outlet, have a proper outlet installed by a qualified electrician.

This product is for use on a nominal 120-volt circuit and has a grounding plug that looks like the plug illustrated in sketch (A). A temporary adapter that looks like the adapter used in sketches (B) and (C) may be used to connect this plug to a 2-pole receptacle as shown in sketch (B), if a properly grounded plug is not available. The temporary adapter should be used only until a properly grounded outlet (sketch A) can be installed by a qualified electrician. The green colored, rigid ear, lug or the like extending from the adapter must be connected to a permanent ground such as a properly grounded outlet box cover. Whenever the adapter is used, it must be held in place by a metal screw.

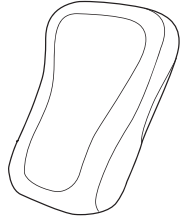
get ready



Unpack the box



Chair base



Backrest



CAUTION: Be sure all cords and fingers are out of the way before installing the backrest, to avoid damage or injury. You may want to use two people for installation, as the backrest is heavy.

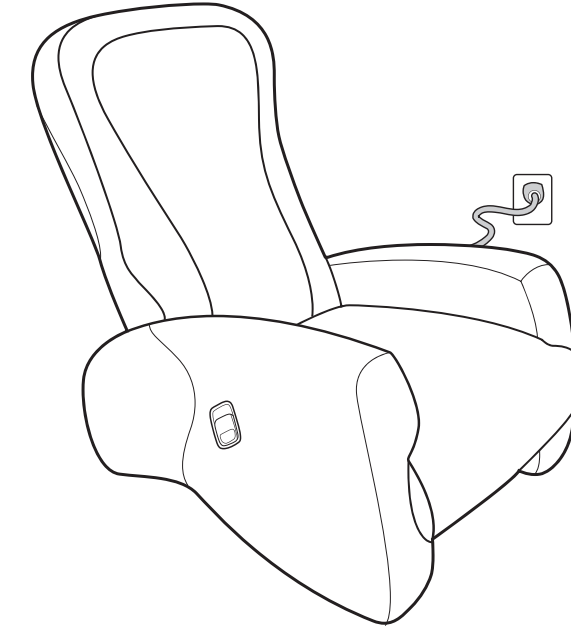
1. Attach the backrest to the chair base

Before installing the backrest, remove the two screw knobs from the bottom of the backrest. Align the guides on the lower sides of the backrest with the track on the chair base, then slide the backrest firmly onto the chair base. From the bottom of the backrest, install and hand-tighten the two screw knobs. Verify that the two screw knobs are installed and tightened before using the chair.



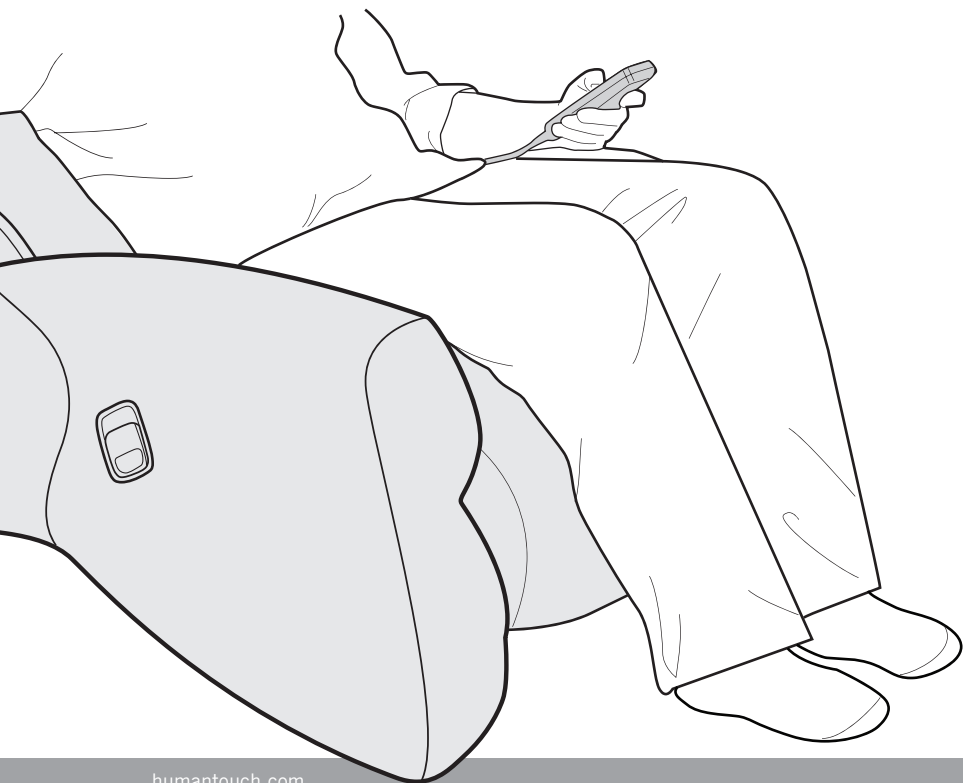
2. Plug it in

The chair automatically powers on when connected to an appropriate power source.



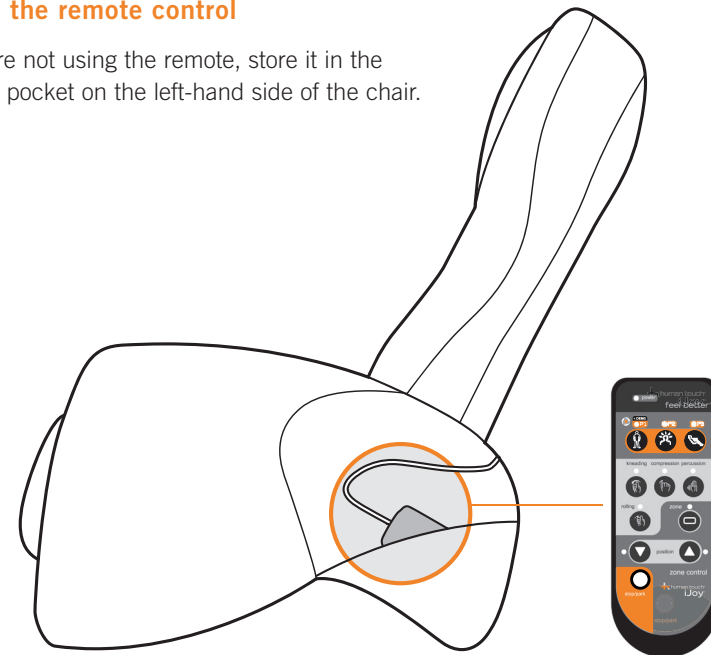
Your Human Touch massage chair requires some simple assembly. Simply attach the backrest to the chair base, plug it in, and you're done!

take a seat



1. Locate the remote control

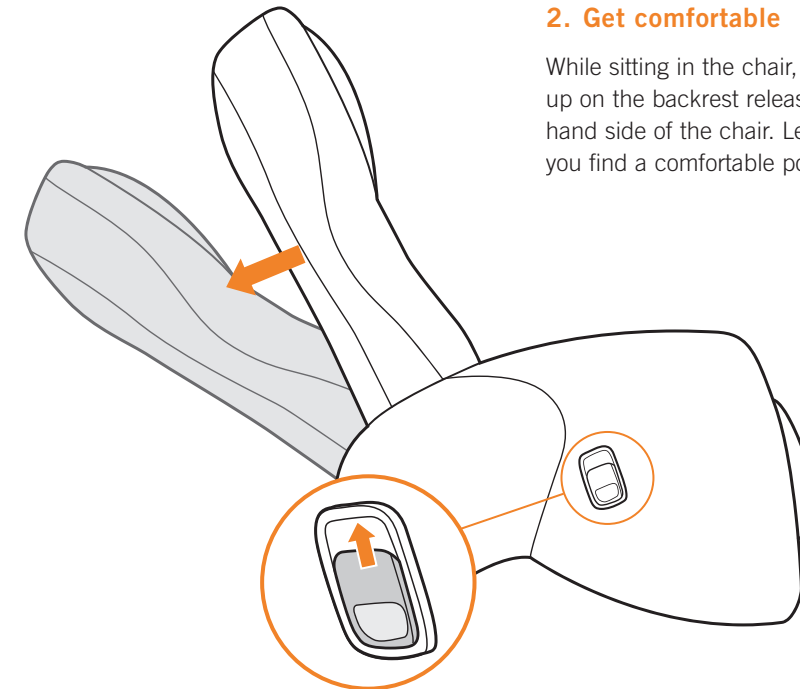
When you're not using the remote, store it in the convenient pocket on the left-hand side of the chair.



6

2. Get comfortable

While sitting in the chair, adjust the backrest by pulling up on the backrest release handle, located on the right-hand side of the chair. Lean backward or forward until you find a comfortable position. Release the handle.



7

Using your Human Touch massage chair is easy! Just take a seat, then use the backrest release handle to adjust the backrest angle for maximum comfort.

take control

Power – Lights to indicate that the chair is receiving power.

Three auto massage programs feature a combination of massage techniques designed to meet specific needs:

P1 - Sore Muscle Relief – Revitalizes the body while soothing sore and aching muscles. Feel refreshed and free of tension.

P2 - Stress Therapy – Refreshes the senses by easing away hard-to-work-out knots and kinks. Promotes deep relaxation after work or play.

P3 - Back Wellness – Keeps aches and pains at bay with a custom massage that melts away lumbar soreness and tension. See back of controller for convenient Auto Program description index.

Zone — Targets your massage to a six-inch zone. Use the Position buttons to focus your massage on the desired area.

Stop/park — Stops the massage and parks the massage rollers at the top of the backrest.

Message techniques — kneading, compression, percussion, rolling, zone

Position — Use these buttons along with any massage technique, to target the massage to the desired area of your back. You can press these buttons before or after selecting the massage technique.

When changing backrest direction, there is a slight pause while the chair gears shift. This is perfectly normal.

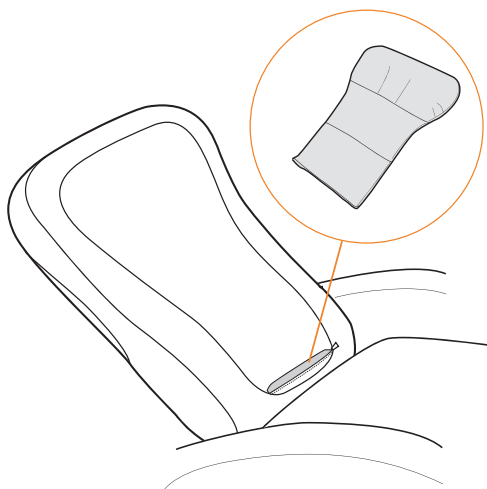
Now choose a massage technique to suit your mood. Your Human Touch massage chair lets you customize your massage using a wide variety of massage techniques. Choose from three stationary massage techniques and a rolling massage, or combine them! Use the Position buttons to target your massage to a specific area, or select one of the three auto massage programs and let the chair take control. No matter how you use it, your Human Touch massage chair offers maximum massage flexibility and refreshing benefits.

MESSAGE TECHNIQUES

	KNEADING	COMPRESSION	PERCUSSION	ROLLING
Message Techniques				
What it Does	Kneads your back in a small, circular motion on both sides of your spine simultaneously.	Presses on spinal muscles and spinal joint areas using alternating strokes and a gentle rocking motion, emulating a technique used in sports medicine and in spinal therapy by chiropractors.	Alternates rapid-tapping strokes along the spine to stimulate both spinal muscles and spinal joint areas, emulating the percussive massage technique used in sports medicine for deep muscle therapy.	Rolls gently up and down your back near your spine.
Benefits	Relieves tension and soreness by lifting and stretching muscles. Improves circulation and helps bring vital nutrients to the spinal area.	Spreads and puts pressure on deep muscle tissue, forcing it to relax, while the rocking motion loosens spinal joints. Aides in muscle and joint repair due to strain from exercise, long hours bent over a desk, or just day-to-day stress, and can improve mobility and overall posture.	Flexes spinal joints and relieves pressure on the spinal column, invigorating the entire back area.	Warms and loosens your muscles, preparing your back for deeper massage. Relieves muscle tension, improves circulation and relaxes the back.

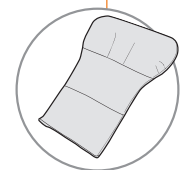
customize massage intensity and backrest comfort

The massage-softening pad softens massage intensity and enhances backrest comfort. For a stronger massage, remove the massage-softening pad.



1. Open the horizontal zipper at the bottom front edge of the backrest.
2. Insert or remove the massage-softening pad, as desired.
3. Close the zipper.

Replacement massage-softening pads are available from Human Touch, for an additional charge.



To experience the full power of Human Touch just remove the massage-softening pad. But keep it handy, in case you want to replace it in the future.



Your Human Touch massage chair may have zips that are closed with a plastic Security Tie. Cut the Security Tie with a nail clipper or other suitable instrument. Take care to not cut the chair upholstery.

care and maintenance

To keep your product working and looking its best, please follow these simple care guidelines.

Cleaning:

1. Be sure to unplug before cleaning.
2. Do not use benzene, thinner or any other solvents on your massage chair.
3. Remove dust on the backrest or armrest with a vacuum cleaner.
4. If the backrest or armrests become dirty, wipe with a damp cloth, then a dry cloth.
5. Common upholstery cleaners may be used for tough stains.
6. When cleaning the remote control or around the power switch, use a dry cloth only. Never use a damp cloth to clean the controller or power switch.

Fabric Care:

To maintain your Human Touch product in optimum condition, dust it frequently and/or vacuum it with a soft brush vacuum extension. SofSuede™ products can also be brushed with a suede brush. Wipe with a slightly damp cloth as necessary. For tougher stains on non-leather products, use a mild detergent mixed with water. Leather products should be wiped down occasionally with a leather furniture cleaning solution.

⚠ WARNING:

Be sure to test any cleaning solution on a small, inconspicuous part of the product to ensure that the color does not fade prior to using the solution on the entire product surface.

Maintenance and Repair:

1. The mechanisms of this product are specially designed and constructed to be maintenance free. No periodic lubrication or servicing is required.
2. Your chair should only be serviced by an authorized service center.

Storage:

1. When not in use for a long period of time, we recommend that the chair be covered, the power cord be coiled and that the unit be placed in an environment free of dust and moisture.
2. Do not store near heat or open flame. Do not leave this product exposed to direct sunlight for long periods of time. This may cause fading or damage.

Miscellaneous:

1. Foreign objects should not be inserted between the massage nodes or the unit housing.
2. Care should be taken not to overload the unit.



WARNING: This product is equipped with a thermal resetting protection device. This is an added safety feature to protect you and this product from overheating. If the product should suddenly stop and will not start, turn the main power switch, located on the back of the product, to off and do not operate the product for at least 30 minutes. Failure to turn the product off may result in the product starting unexpectedly when the product cools.

limited warranty

Please read the following warranty information for important disclosures before using your new Human Touch massage chair.

It is the Human Touch mission to design, develop, manufacture and sell innovative, high-quality massage products that create a better and healthier way of life. We appreciate your commitment to our mission and our products and are pleased to let you know that the Human Touch product that you purchased comes with a limited warranty. The warranty provides peace of mind that you are covered for mechanical or structural defects in workmanship within the coverage guidelines and limitations outlined below.

Coverage Guidelines:

The warranty begins on the original purchase date and consists of:

- In-home (Labor): Human Touch will send technicians to repair the product in the customer's home, at no charge to the customer.
- Parts Only (Parts): Human Touch will provide parts that are covered by this warranty, at no charge to the customer.
- Structural (Metal Frame): Human Touch will provide parts that are covered by this warranty, at no charge to the customer.

Human Touch Chairs	In-Home Service	Parts	Structural
New Products	90 days	1 year	3 years
Refurbished Products	90 days	1 year	3 years
Floor Models sold within six months of initial display date.	90 days	1 year	3 years

In the unlikely event that your Human Touch product malfunctions or requires repair, please contact your retailer. For USA customers only, please contact Human Touch Customer Service at (800) 355-2762 between the hours of 6 AM and 5 PM PST or cs@humantouch.com for assistance. You can also send a fax to customer service at (800) 840-2940.

All warranty service requires approval and authorization by Human Touch.

General Limitations:

- The warranty is only valid within the United States and Canada provided the product has been operated according to the instructions accompanying it and has not been misused or damaged in any way that is beyond the control of Human Touch.
- All service covered by this warranty must be approved by Human Touch and repairs performed by authorized technicians.
- The warranty applies only to the massage chair; accessories or enhancements are not covered.
- Important exclusions apply to cosmetic items such as fabrics, woods, foams, padding, plastics covers, etc.
- Human Touch is not responsible in any way for losses, damages, or inconvenience caused by equipment failure.
- For a complete listing of warranty coverage, exclusions, and limitations, visit humantouch.com.
- Warranties do not apply to rental, business, commercial, institutional, or other non-residential users.
- Proof of purchase (original receipt) is required for all warranty repairs.

EXTENDED WARRANTIES:

Human Touch offers extended warranty programs to enhance ownership of the Human Touch product. Extended warranty purchases are available within 90 days of purchase of Human Touch product from either the retailer or direct from the Human Touch Customer Service Department.

Please visit humantouch.com for the latest terms and pricing for extended warranties.

Specifications*

Operating Voltage:	AC110-120V, 60 Hz
Power Consumption:	75 Watts
Chair Size (Reclined):	50.4"L x 28.3"W x 24.4"H
Chair Weight:	57.3 Lbs.
Required Recline Clearance:	15.7"
Maximum Load Weight:	285 Lbs.

**Specifications are subject to change without prior notice.*



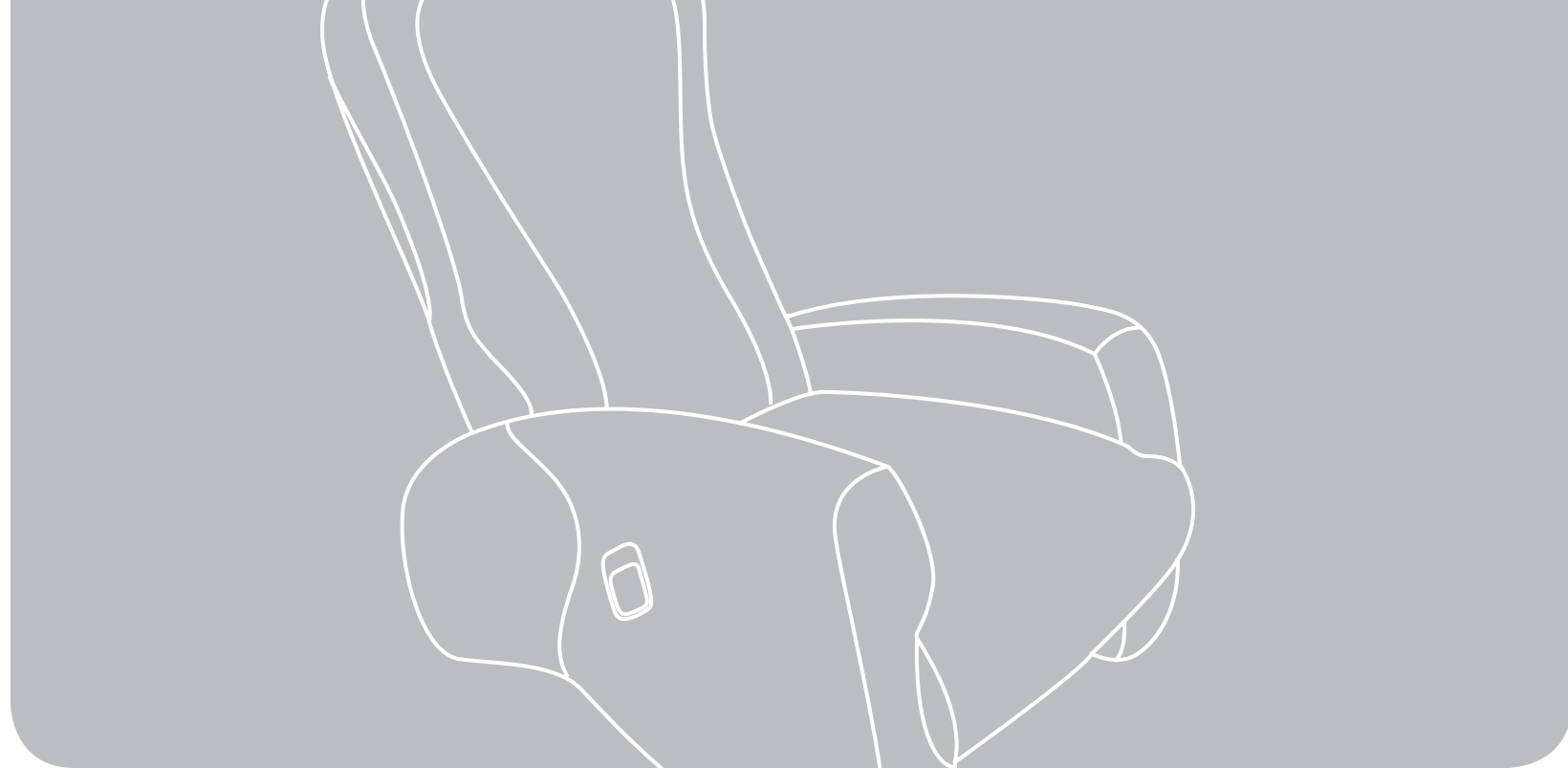
humantouch.com
800.355.2762



iJoy-2310

Fauteuil Robotique Massage^{MD}

mode d'emploi et d'entretien



Human Touch^{MD} Les partenaires de votre mieux-être

Depuis plus de vingt ans, Human Touch est le chef de file du marché des produits de massage. Nos produits sont de véritables œuvres d'art. Ils combinent les technologies les plus récentes à l'art ancien du massage thérapeutique. L'équilibre entre vos besoins physiques et psychiques et le mode de vie effréné que nous menons aujourd'hui exigent le bon dosage entre une saine alimentation, l'exercice et le massage. Les systèmes de massage Human Touch sont un élément crucial dans l'atteinte de l'équilibre entre le bien-être physique et mental.

Pour de plus amples informations à propos de notre société et de nos produits, nous vous invitons à visiter notre site Web au www.humantouch.com ou à téléphoner à un représentant de notre service à la clientèle au 800-355-2762.



human touch[®]
PATENTED
MASSAGE SYSTEM

Le système de massage Human Touch^{MD} est la technologie de choix de l'ACCO. www.accoweb.org



MIS À L'ÉPREUVE ET RECOMMANDÉ
PAR NOS MEMBRES

Veuillez acheminer toute question ou commentaire concernant ce manuel à : documentation@humantouch.com

©2009 Human Touch^{MD}, LLC. Brevets en instance. Tous droits réservés.

Aucune garantie quant aux bénéfices médicaux de cet appareil n'est offerte, qu'elle soit expresse ou implicite.

Human Touch est une marque de commerce de Human Touch^{MD}, LLC.

iJoy-2310

bienvenue chez **human touch^{MD}**

Votre fauteuil Human Touch intègre parfaitement la fine pointe de la technologie et l'art ancien du massage thérapeutique. Il vous offre un des ingrédients principaux d'une vie équilibrée, dans le confort de votre foyer!

Votre fauteuil de massage Human Touch est doté de la technologie du système de massage breveté Human Touch^{MD}. Il reproduit les techniques de soins du dos et de la colonne vertébrale mises de l'avant par les massothérapeutes et les chiropraticiens. Vous aurez peine à croire qu'il s'agit d'un simple appareil!

Afin de bénéficier du plein potentiel de toutes les caractéristiques de votre fauteuil, et afin de vous assurer que vous en faites un usage sécuritaire, lisez ce guide attentivement. Cela fait, asseyez-vous, détendez-vous, et profitez du voyage!

humantouch.com

consignes de sécurité

CONSIGNES DE SÉCURITÉ IMPORTANTES

Lorsque vous utilisez un appareil électrique, vous devez toujours suivre les précautions de base suivantes :

Lisez toutes les instructions avant d'utiliser cet appareil.

DANGER: Afin de réduire les risques d'électrocution : Débranchez toujours cet appareil de l'alimentation électrique dès que vous avez fini de l'employer et avant de le nettoyer.

MISE EN GARDE : Afin de réduire les risques de brûlure, d'incendie, d'électrocution ou de blessure :

- Tenez vos mains et vos doigts éloignés du mécanisme de massage et des rouleaux lorsqu'ils sont en marche. Si vous touchez au mécanisme, les rouleaux risquent de se comprimer et de vous blesser.
- Si le cordon d'alimentation est endommagé, il doit être remplacé par le fabricant, son représentant de service ou un technicien qualifié afin d'éviter tout danger.
- Un appareil ne devrait jamais être laissé sans surveillance lorsqu'il est branché. Débranchez l'appareil de l'alimentation lorsque vous ne l'employez pas et avant d'y insérer ou d'en retirer des pièces.
- Ne faites pas fonctionner sous une couverture ou sous un oreiller. Une surchauffe pourrait survenir et causer un incendie, une électrocution ou des blessures.
- Une surveillance étroite est nécessaire lorsque ce fauteuil est employé près ou par des enfants ou des personnes handicapées. Gardez les enfants à l'abri de l'appui-pied déployé (ou autres pièces semblables).
- Employez ce fauteuil à ce pour quoi il a été conçu, tel que décrit dans ce guide. Employez uniquement les accessoires recommandés par le fabricant.
- N'employez jamais ce produit si son cordon ou sa fiche d'alimentation sont endommagés, s'il ne fonctionne pas correctement, s'il a été échappé ou endommagé ou s'il a été immergé. Retournez ce fauteuil à un centre de service pour examen et réparation.
- Ne transportez pas cet appareil en tirant sur son cordon d'alimentation. N'utilisez pas le cordon d'alimentation comme une poignée.
- Éloignez toujours le cordon d'alimentation de toute source de chaleur.
- Ne faites jamais fonctionner ce fauteuil si ses trappes d'aération sont obstruées. Maintenez les trappes d'aération exemptes de peluche, de cheveux et de substances semblables.

- N'échappez ni n'insérez jamais aucun objet dans aucune ouverture.
- N'employez pas à l'extérieur.
- Ne faites pas fonctionner dans un endroit où on utilise des produits à bombe aérosol (vaporisateur) ou dans un endroit où de l'oxygène est administrée.
- Pour débrancher, mettez toutes les commandes à la position O (arrêt) et retirez la fiche de la prise.
- Ne massez aucune partie du corps qui soit enflée, enflammée ou présentant des éruptions.
- Ne massez pas vos jambes si vous souffrez de douleurs idiopathiques.
- N'employez pas cet appareil sur une surface humide ou lorsqu'une partie de votre corps est en contact avec une structure de plomberie ou autre structure similaire.
- Ne branchez cet appareil qu'à une prise correctement mise à la terre. Consultez les INSTRUCTIONS DE MISE À LA TERRE.
- N'employez pas ce fauteuil s'il émet un bruit plus élevé que le son normal.
- Ne vous mettez pas debout sur ou dans l'appareil. N'utilisez cet appareil qu'en position assise.

Consignes de sécurité

- Nous recommandons le port de vêtements confortables pour l'emploi de ce produit.
- Une position détendue est nécessaire afin de bénéficier des avantages de ce fauteuil. Ne mettez jamais de pression sur aucune partie de votre corps reposant sur le dossier lorsque que les rouleaux sont en mouvement.
- Si vous éprouvez un inconfort anormal lorsque vous employez ce produit, éteignez-le immédiatement et cessez son emploi. Consultez votre médecin.
- Ne vous assoyez pas sur le système de commande.
- Ne tirez pas sur le cordon d'alimentation.
- Si vous employez ce produit après une période de rangement prolongée, vérifiez son bon fonctionnement au préalable.
- Assurez-vous toujours qu'aucun obstacle ne se trouve derrière le fauteuil. Assurez-vous de disposer d'un espace suffisant pour incliner le fauteuil.

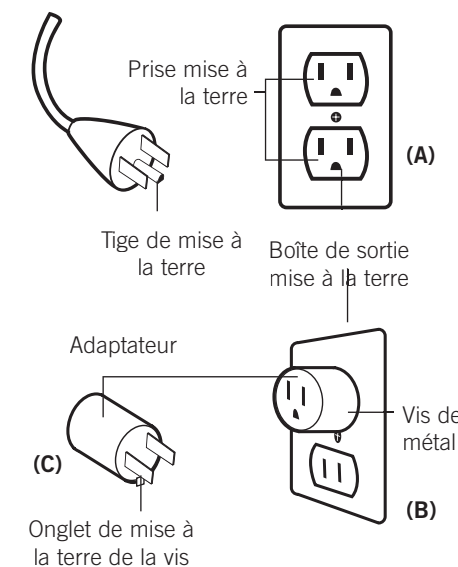
CONSERVEZ CE MODE D'EMPLOI

Ne réparez pas ce fauteuil vous-même.

Ce fauteuil est conçu pour un usage personnel au foyer. Tout usage à des fins commerciales annulera la garantie.

Pour tous les produits dotés d'un cordon d'alimentation mis à la terre :

Méthodes de mise à la terre :



L'utilisation d'un adaptateur temporaire est interdite au Canada.

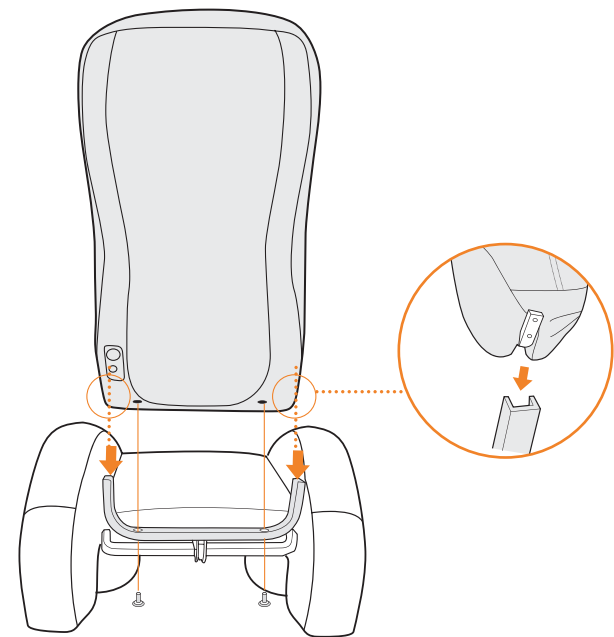
INSTRUCTIONS DE MISE À LA TERRE

Ce fauteuil doit être branché sur un circuit avec mise à la terre. En cas de mauvais fonctionnement ou de bris, la mise à la terre réduit le risque d'électrocution en permettant au courant électrique d'emprunter le chemin offrant le moins de résistance. Ce fauteuil est pourvu d'un cordon d'alimentation doté d'un conducteur et d'une fiche de mise à la terre. La fiche doit être branchée dans une prise correctement installée et mise à la terre conformément aux ordonnances et aux codes locaux.

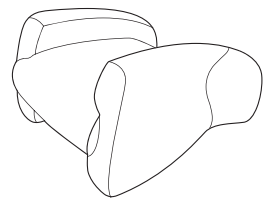
DANGER : Un branchement inadéquat du conducteur de mise à la terre entraîne un risque d'électrocution. Consultez un électricien ou un technicien qualifié si vous n'êtes pas certain que ce fauteuil soit correctement mis à la terre. Ne modifiez pas la fiche accompagnant le fauteuil – si elle ne s'insère pas dans la prise, faites installer une prise appropriée par un électricien qualifié.

Ce fauteuil convient à un circuit de courant nominal de 120 volts. Il est doté d'une fiche de mise à la terre semblable à celle illustrée sur la figure A. Au cas où une prise correctement mise à la terre ne serait pas disponible, un adaptateur temporaire, semblable à celui illustré sur les figures B et C, peut être employé pour brancher cette fiche à une prise de courant à deux trous, tel qu'illustré sur la figure B. L'adaptateur temporaire ne doit être employé que le temps qu'il faudra à faire installer une prise correctement mise à la terre (figure A) par un électricien qualifié. L'onglet rigide, ou autre dispositif semblable, de couleur verte sortant de l'adaptateur doit être branché à une prise permanente, telle un couvercle de boîte de sortie correctement mise à la terre. L'adaptateur doit être retenu par une vis de métal.

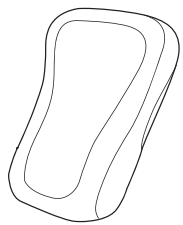
préparez-vous



Videz la boîte



Base du fauteuil



Dossier



MISE EN GARDE : Afin d'éviter des blessures ou des dommages, assurez-vous que tous les cordons et tous les doigts sont à l'abri avant d'installer le dossier. Vous souhaitez peut-être demander l'aide d'une autre personne pour l'installation; le dossier est lourd.

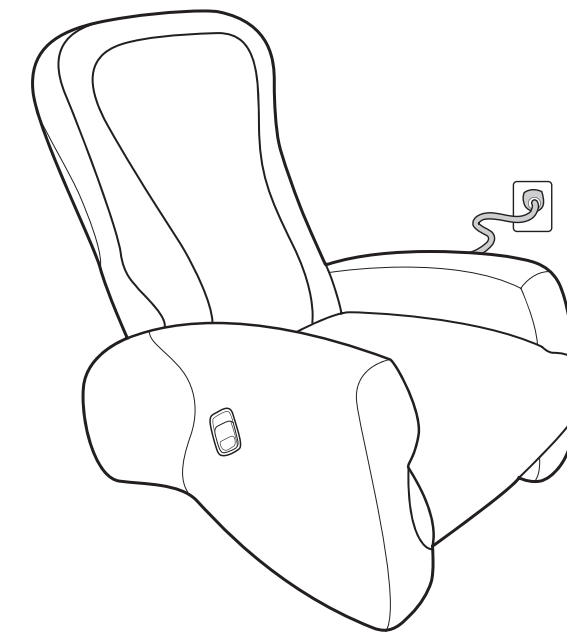
1. Attachez le dossier à la base du fauteuil

Avant d'installer le dossier, retirez les deux griffes à vis du bas du dossier. Alignez les guides sur les côtés inférieurs du dossier, le rail sur la base du fauteuil. Faites ensuite fermement glisser le dossier dans la base du fauteuil. Du bas du dossier, installez et serrez manuellement les deux griffes à vis. Avant d'utiliser le fauteuil, vérifiez que les deux griffes à vis sont installées et bien serrées.



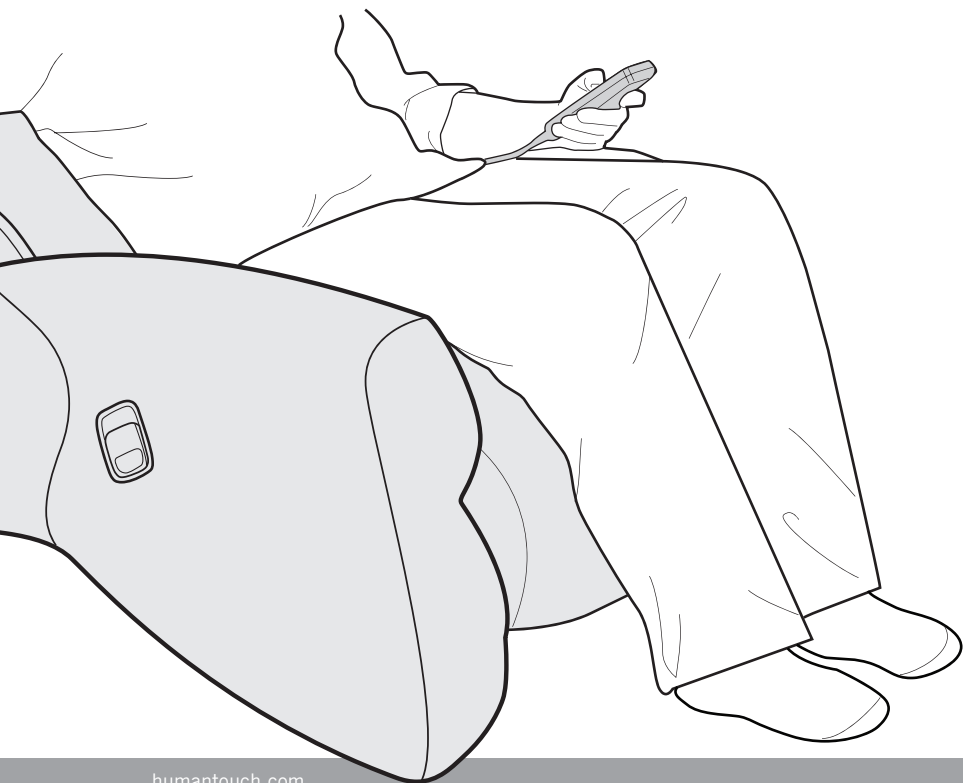
2. Branchez-le

Le fauteuil se met automatiquement en marche lorsqu'il est branché à une source d'alimentation appropriée.



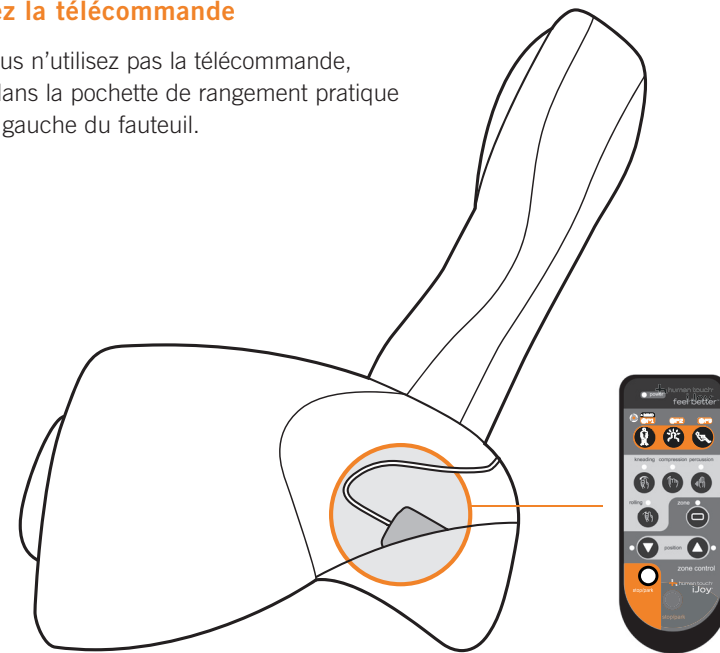
Votre fauteuil de massage Human Touch est très facile à assembler. Vous n'avez qu'à installer le dossier à la base du fauteuil et à le brancher... c'est tout!

prenez place



1. Repérez la télécommande

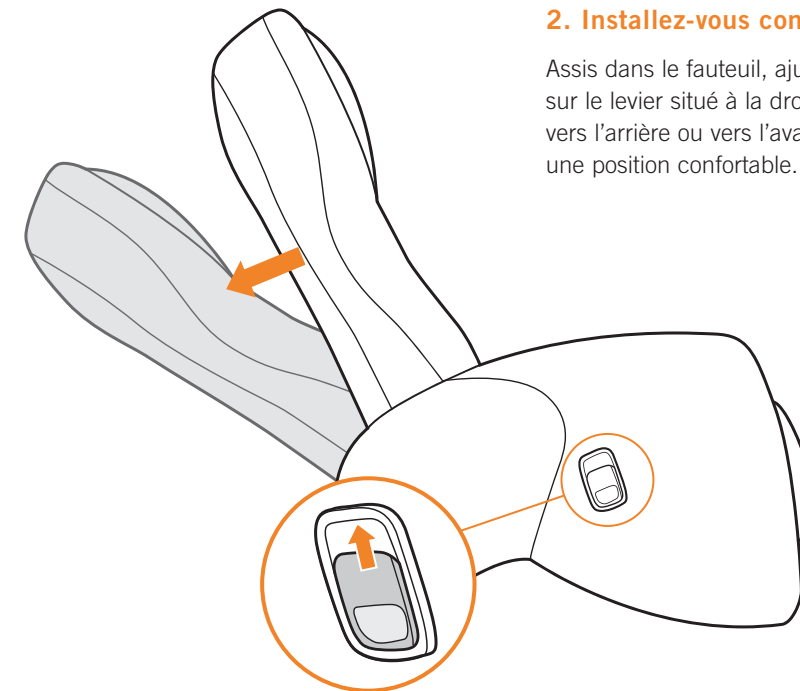
Lorsque vous n'utilisez pas la télécommande, rangez-la dans la pochette de rangement pratique sur le côté gauche du fauteuil.



22

2. Installez-vous confortablement

Assis dans le fauteuil, ajustez l'angle du dossier en tirant sur le levier situé à la droite du fauteuil. Penchez-vous vers l'arrière ou vers l'avant jusqu'à ce que vous trouviez une position confortable. Relâchez le levier.



23

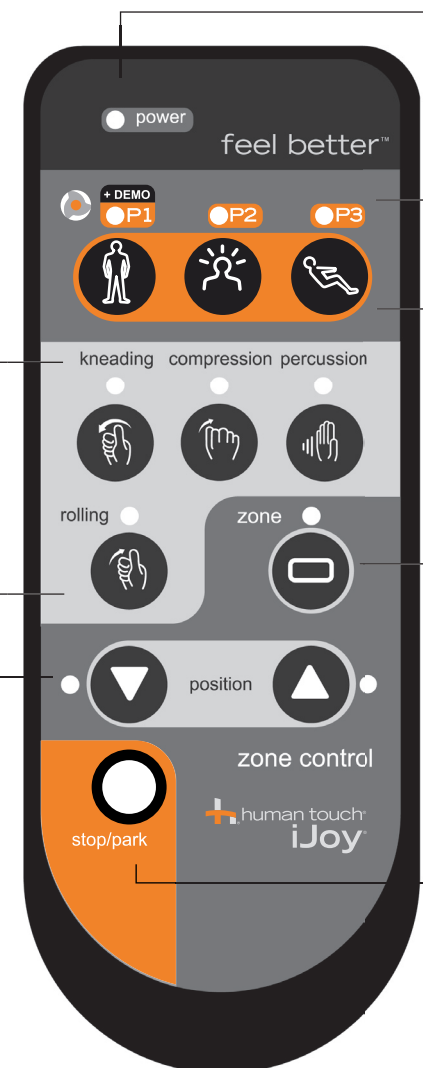
Votre fauteuil Human Touch est facile d'emploi! Asseyez-vous et ajustez l'angle du dossier à l'aide du levier, pour un confort optimal.

prenez les commandes

TECHNIQUES DE MASSAGE

Position (flèches haut/bas) — Utilisez ces boutons avec l'un des techniques de massage stationnaire pour régler les rouleaux du dossier à la position désirée. Vous pouvez appuyer sur ces boutons avant ou après la sélection du mode de massage.

🕒 Lorsque vous changez la direction à l'aide des boutons de position des rouleaux de massage, il y aura une courte pause pendant le changement des vitesses du fauteuil. Cela est tout à fait normal.



Alimentation — Le témoin rouge s'illumine afin d'indiquer que le bouton d'alimentation principal est à la position ON (en marche).

Trois programmes de massage automatique offrent une combinaison de techniques de massage destinées à répondre à des besoins particuliers :

P1 - Soulagement des muscles endoloris – Revitalise le corps tout en soulageant les muscles endoloris. Vous vous sentirez frais, dispos et libéré de vos tensions.

P2 - Thérapie contre le stress – Refresca los sentidos liberando los nudos y torceduras difíciles del eliminar.

P3 - Bien-être dorsal – Éloigne les douleurs grâce à un massage personnalisé qui fait fondre les douleurs et les tensions lombaires.

Consultez l'endos de la commande : vous y trouverez une description des programmes automatiques en ordre alphabétique.

Région — Cible votre massage sur dans une région de 15 centimètres. Ciblez votre massage dans la région désirée à l'aide des touches d'ajustement de la position.

Stop/Auto (Arrêt/Auto) — Le massages'arrête et les rouleaux de massage se positionnent au haut du dossier.

TECHNIQUES DE MASSAGE :

Mode de massage

Ce qu'il fait

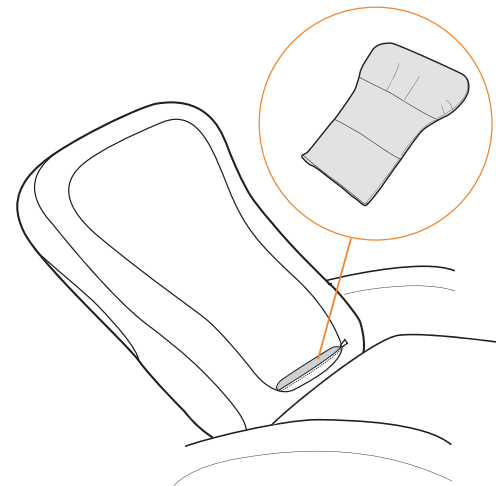
Avantages

	PERCUSSION	COMPRESSION	PÉTRISSAGE	ROULEMENT
	Des tapotements rapides alternés le long de la colonne vertébrale stimulent les muscles et les articulations de la région lombaire. Ce massage reproduit la technique de massage à percussion employée en médecine sportive dans le cadre de thérapie musculaire en profondeur.	Des pressions sont appliquées sur les muscles du dos et sur les articulations de la région lombaire, alternées entre des tapotements et un doux mouvement de balancement. Ce massage reproduit une technique employée en médecine sportive et par les chiropraticiens.	Votre dos est pétri par de petits mouvements circulaires appliqués de chaque côté de votre colonne vertébrale.	Un roulement doux masse le long de votre dos, près de votre colonne vertébrale.
	Assouplit les articulations de la région lombaire et libère les pressions de la colonne vertébrale, revigorant tout le dos.	Étire et applique une pression sur les tissus musculaires profonds, les forçant à se détendre, tandis que le mouvement de balancier relâche les articulations de la colonne vertébrale. Cette technique favorise la réparation des muscles et des articulations suite à un effort dû à l'exercice, à de longues heures passées penché sur un bureau ou à un niveau de stress élevé. Elle peut améliorer la mobilité en général et la posture dans son ensemble.	Cette technique libère des tensions et des douleurs en soulevant et en étirant les muscles. Améliore la circulation sanguine en apportant les nutriments essentiels dans la zone de votre colonne vertébrale.	Réchauffe et relâche vos muscles, préparant votre dos pour un massage plus en profondeur. Ce massage relâche les tensions musculaires, améliore la circulation sanguine et détend le dos.

À présent, sélectionnez le mode de massage qui convient à vos besoins. Votre fauteuil de massage Human Touch vous permet de personnaliser votre massage grâce à une grande variété de techniques de massage. Choisissez un massage parmi trois techniques de massage stationnaire et deux massages de roulement, ou combinez-les! À l'aide des touches Position, ciblez votre massage sur une région précise ou sélectionnez un des trois programmes de massage automatiques et laissez le fauteuil prendre les commandes. Peu importe l'utilisation que vous en faites, votre fauteuil de massage Human Touch offre une souplesse de massage optimale et les plus grands bienfaits.

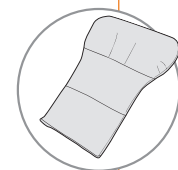
personnalisez l'intensité et le confort de votre dossier

Les coussinets adoucisseurs de massage adoucissent l'intensité du massage.
Pour un massage plus agressif, retirez les coussinets adoucisseurs de massage.



1. Ouvrez la fermeture éclair située à l'avant du dossier.
2. Insérez ou retirez le coussinet adoucisseur de massage, au besoin.
3. Fermez la fermeture éclair.

Vous pouvez vous procurer d'autres coussins adoucisseurs de massage auprès de Human Touch, moyennant des frais supplémentaires.



Pour profiter de la puissance optimale du Human Touch, retirez simplement le coussinet adoucisseur de massage. Gardez-le cependant à portée de la main, au cas où vous souhaiteriez le remettre dans la pochette plus tard.



Votre fauteuil de massage Human Touch peut être doté de fermetures éclair fermées à l'aide d'une attache de sécurité en plastique. Coupez l'attache de sécurité à l'aide d'un coupe-ongles ou autre instrument approprié. Prenez soin de ne pas couper le tissu du fauteuil.

soin et entretien

Afin de vous assurer que votre fauteuil fonctionne bien et qu'il conserve une belle apparence, veuillez suivre ces consignes faciles d'entretien.

Nettoyage :

1. Assurez-vous de débrancher le cordon d'alimentation de la prise murale avant le nettoyage.
2. N'utilisez pas de benzène, de diluant ni d'autre agent solvant pour nettoyer votre fauteuil de massage.
3. Éliminez la poussière du dossier et des accoudoirs à l'aide d'un aspirateur.
4. Si le dossier ou les accoudoirs se salissent, essuyez-les à l'aide d'un linge humide, puis séchez-les à l'aide d'un linge sec.
5. Les détergents courants pour meubles peuvent être employés pour faire disparaître les taches tenaces.
6. N'employez qu'un linge sec pour nettoyer le système de commande ou la zone autour du bouton d'alimentation. Ne nettoyez jamais le système de commande ou le bouton d'alimentation à l'aide d'un linge humide.

Soins du tissu :

Pour maintenir votre produit Human Touch en état optimal, époussetez-le fréquemment ou passez-le à l'aspirateur à l'aide d'une brosse d'aspirateur douce. Les produits de faux suède peuvent également être brossés à l'aide d'une brosse à suède. Essuyez-le à l'aide d'un linge légèrement humide au besoin. Pour les taches plus tenaces sur les produits non recouverts de cuir, utilisez un détergent doux mélangé à l'eau. Les produits en cuir doivent être essuyés occasionnellement à l'aide d'une solution nettoyante pour meubles en cuir.

⚠ MISE EN GARDE :

Avant de procéder au nettoyage de toute la surface du produit à l'aide d'une solution nettoyante, veillez à en faire l'essai sur une petite portion camouflée du produit afin de vous assurer qu'elle n'entraîne pas de décoloration.

Entretien et réparation :

1. The mechanics of this product are specially designed and constructed to be maintenance free. No periodic lubrication or servicing is required.
2. Votre fauteuil ne doit être réparé que par un centre de service agréé.

Rangement :

1. Lorsque le fauteuil ne doit pas être employé sur une longue période, nous vous recommandons d'enrouler le cordon d'alimentation et de placer le fauteuil dans un endroit exempt de poussière et d'humidité.
2. Ne le rangez près d'une flamme ou d'une source de chaleur. N'exposez pas cet appareil aux rayons directs du soleil sur une longue période. Cela pourrait le décolorer ou l'endommager.

Divers :

1. N'insérez pas de corps étrangers entre les nodules de massage ni dans le boîtier du moteur.
2. Prenez soin de ne pas surcharger l'appareil.

⚠ **MISE EN GARDE :** Ce fauteuil est doté d'un dispositif de réinitialisation thermique de protection. Il s'agit d'une caractéristique de sécurité supplémentaire installée afin de vous protéger contre la surchauffe du fauteuil. Si le produit s'arrête soudainement et ne peut être redémarré, mettez l'interrupteur principal, situé à l'arrière, à la position d'arrêt (O) et ne faites pas fonctionner le produit pendant au moins 30 minutes. L'omission d'éteindre le produit peut causer un démarrage inattendu pendant qu'il refroidit.

garantie limitée

Please read the following warranty information for important disclosures before using your new Human Touch massage chair.

La mission de Human Touch est la conception, le développement, la fabrication et la vente de produits de massage novateurs et de qualité supérieure afin de vous apporter une meilleure santé et une plus belle qualité de vie. Nous apprécions votre adhésion à notre mission et à nos produits. Nous sommes heureux de vous offrir une garantie limitée sur le produit Human Touch que vous venez d'acquérir. La garantie vous offre la tranquillité d'esprit en vous protégeant en cas de défectuosité mécanique, structurelle ou de main-d'œuvre, conformément aux lignes directrices de protection et aux limitations énoncées ci-devant.

Lignes directrices de la protection :

La garantie prend effet à la date de l'achat initial et s'applique comme suit :

- À domicile (main-d'oeuvre) : Human Touch envoyer le technicien pour réparer le produit au domicile du client, sans frais pour le client.
- Pièces seulement (pièces) : Human Touch fournit les pièces couvertes par la présente garantie, sans frais pour le client.
- Structure (bâti métallique) : Human Touch fournit les pièces couvertes par la présente garantie, sans frais pour le client.

Fauteuils Human Touch	Entretien en usine	Pièces	Structure
Nouveaux produits	90 jours	1 an	3 ans
Produits réusinés	90 jours	1 an	3 ans
Les démonstrateurs vendus dans les six mois suivant leur date de présentation initiale.	90 jours	1 an	3 ans

Si jamais votre produit Human Touch fonctionnait mal ou devait être réparé, veuillez communiquer avec votre détaillant. Clients aux États-Unis seulement : veuillez contacter le service à la clientèle d'Interactive Health au (800) 355-2762 entre 06:00 et 17:00 HNO ou adressez-vous à cs@humantouch.com pour obtenir de l'aide. Vous pouvez aussi envoyer une télécopie à notre centre du service à la clientèle, au 800-840-2940. Tout entretien relatif à la garantie doit être approuvé et autorisé par Human Touch.

Limitations générales :

- Cette garantie n'est valide qu'aux États-Unis et au Canada, en autant que le produit ait été employé selon les consignes qui l'accompagnent et qu'il n'ait pas été l'objet de mésusage ou de dommages causés par des conditions incontrôlables pour Human Touch.
- Tout entretien en vertu de la présente garantie doit être approuvé par Human Touch. Les réparations doivent être effectuées par des techniciens autorisés.
- La garantie ne couvre que le fauteuil de massage; les améliorations apportées au fauteuil et les accessoires ne sont pas couverts.
- Des exclusions importantes s'appliquent aux éléments de cosmétique tels le tissu, le bois, la mousse, le rembourrage, les protecteurs en plastique, etc.
- Human Touch n'est pas responsable des pertes, dommages ou incon vénients causés par une défectuosité de l'équipement.
- Pour le texte complet de la couverture de la garantie, des exclusions et des limitations, visitez humantouch.com.
- Les garanties ne couvrent pas l'usage locatif, commercial, institutionnel ni les autres usages non résidentiels.
- Une preuve d'achat (coupon original) est nécessaire pour toutes les réparations relatives à la garantie.

GARANTIES PROLONGÉES :

Human Touch offre des programmes de garantie prolongée pour votre produit Human Touch. Il est possible d'acheter une garantie prolongée auprès du détaillant ou du service à la clientèle de Human Touch, dans les 90 jours suivant l'achat d'un produit Human Touch. Veuillez visiter humantouch.com pour obtenir les conditions et les prix à jour des garanties prolongées.

Fiche technique*

Tension de fonctionnement :	110 à 120 volts CA 60Hz
Consommation d'énergie :	75 watts
Taille du fauteuil (incliné) :	L x P x H : 128 x 72 x 62 cm
Poids du fauteuil	26 kg (57,3 lb)
Dégagement d'inclinaison requis :	40 cm (15,7 po)
Poids de charge maximal :	129 kg (285 lb)

**La fiche technique est sujette à changement sans préavis.*



humantouch.com
800.355.2762



iJoy-2310

Silla Robotic Massage®

manual de uso y cuidado



Human Touch®
Aliados de su bienestar

Durante décadas, Human Touch ha sido líder en el área de productos para masajes. Creamos productos de avanzada con la tecnología más reciente que aplican el arte ancestral curativo del masaje. Ante los estilos de vida acelerados de hoy, el equilibrio de sus necesidades físicas y mentales exige la combinación exacta de nutrición, ejercicios y masajes adecuados. Los Sistemas de masaje Human Touch son componentes esenciales para obtener el equilibrio entre el bienestar físico y mental.

Le invitamos a que nos visite en Internet para conocer más sobre nuestra empresa y nuestros productos, en el siguiente enlace: www.humantouch.com o llame a nuestros Representantes de Servicio al Cliente al número 800-355-2762.



human touch®
PATENTED
MASSAGE SYSTEM

El Sistema de masaje Human Touch® es la tecnología preferida por ACCO.
www.accoweb.org



Envíe sus preguntas o comentarios sobre este manual a documentation@humantouch.com

©2009 Human Touch®, LLC. Patentes en proceso y derechos de propiedad intelectual vigentes.

El uso de este producto no garantiza ni implica declaraciones médicas.

Human Touch es una marca registrada de Human Touch®, LLC.

iJoy-2310

Le damos la bienvenida a
human touch®

La silla de masaje Human Touch es el puente perfecto entre la tecnología de avanzada y el arte ancestral curativo del masaje. Es un ingrediente clave para una vida equilibrada y lo puede tener justo en su propia casa.

La silla de masaje Human Touch incorpora la tecnología del Sistema de masaje Human Touch®. Emula las mismas técnicas que emplean los profesionales masajistas y quiroprácticos en el cuidado de la espalda y la columna vertebral. Resulta difícil creer que no es humana.

Para garantizar que no olvide ninguna de sus funciones y que la utilizará en forma segura, lea este manual detenidamente. ¡Luego siéntese, relájese y disfrute!

humantouch.com

manténgala en forma segura

INSTRUCCIONES DE SEGURIDAD IMPORTANTES

Cuando utilice un artefacto eléctrico, debe tener siempre precauciones especiales, incluidas las siguientes:

Lea todas las instrucciones antes de usar este artefacto.

PELIGRO: Para reducir el riesgo de sacudida eléctrica: Desconecte siempre este producto del tomacorriente inmediatamente después de usarlo y antes de limpiarlo.

ADVERTENCIA: Para reducir el riesgo de quemaduras, incendio, sacudida eléctrica o lesiones personales:

- No coloque las manos ni los dedos cerca del mecanismo de masaje, ni de los rodillos mientras este producto esté en funcionamiento. Tocar el mecanismo puede producir lesiones causadas por los rodillos que producen un efecto de compresión.
- Si el cable de alimentación está deteriorado, el fabricante, su agente de servicio o una persona calificada similar debe reemplazarlo para evitar peligros.
- Un artefacto nunca debe dejarse desatendido mientras esté conectado. Cuando no esté en uso, desconéctelo del tomacorriente antes de colocarlo o retirarle piezas.
- No lo ponga en funcionamiento bajo una sábana o cojín. Puede ocurrir el calentamiento excesivo y producir un incendio, sacudida eléctrica o lesiones personales.
- Se requiere su supervisión muy de cerca cuando este artefacto es utilizado por, con o cerca de niños, personas inválidas o discapacitadas. Mantenga a los niños retirados del apoyapiés cuando esté extendido (o de otras piezas similares).
- Utilice este producto solamente para el uso que se describe en este manual. No utilice conexiones no recomendadas por el fabricante.
- Nunca haga funcionar este artefacto si tiene un cable o enchufe dañado, si no funciona correctamente, si se ha caído o deteriorado, o si ha caído en el agua. Devuelva este producto a un centro de servicio para su revisión y reparación.
- No hale este artefacto por el cable de alimentación, ni utilice el cable como mango.
- Mantenga siempre el cable de alimentación alejado de superficies calientes.

- Nunca haga funcionar este artefacto con los orificios de ventilación obstruidos. Mantenga los orificios de ventilación libres de pelusa, cabellos y cosas por el estilo.
- Nunca deje caer ni introduzca objetos en ningún orificio o abertura.
- No se utilice en exteriores.
- No se utilice en lugares donde se empleen productos en aerosol (spray) o donde se administre oxígeno.
- Para desconectarlo, apague todos los controles colocándolos en posición OFF y luego retire el enchufe del tomacorriente.
- No masajee ninguna zona del cuerpo que esté hinchada, inflamada o cubierta con erupciones.
- No se utilice si presenta dolor en las pantorrillas de causa desconocida.
- No utilice este producto sobre el piso húmedo o mientras alguna parte del cuerpo esté en contacto con tuberías o tomas de tierra similares.
- Conecte siempre este artefacto a un tomacorriente debidamente conectado a tierra. Consulte las INSTRUCCIONES DE PUESTA A TIERRA.
- No use este producto si escucha ruido más fuerte del sonido normal.
- No se ponga de pie sobre el artefacto. Úselo solamente sentado.

Precauciones de seguridad

- Se recomienda usar ropa cómoda mientras se utiliza este producto.
- Este producto ha sido diseñado para usarlo en posición relajada. Nunca fuerce ninguna parte del cuerpo hacia el área del espaldar mientras los rodillos estén en movimiento.
- Si siente alguna molestia anormal durante el funcionamiento de este producto, apague la alimentación eléctrica de inmediato y no utilice este producto. Consulte a su médico.
- No se siente sobre el control.
- No hale el cable de CA.
- Cuando utilice este producto después de haberse mantenido almacenado, compruebe que funciona debidamente antes usarlo.
- Compruebe siempre que no haya obstáculos detrás del producto y que haya espacio suficiente para reclinarlo.

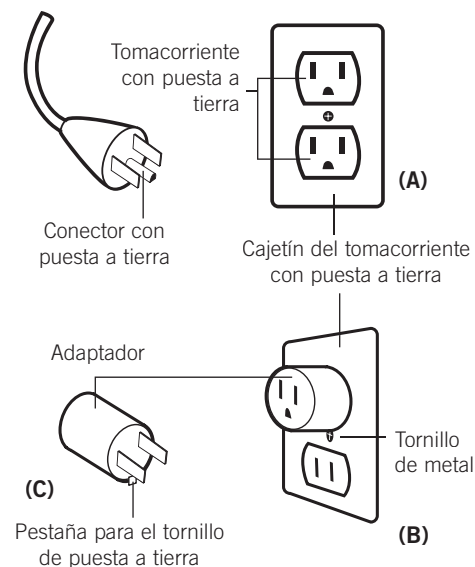
CONSERVE ESTAS INSTRUCCIONES

No intente reparar este producto usted mismo.

Este producto está diseñado para uso personal en casa. Su uso comercial anula la garantía.

Para todos los productos conectados mediante cable con puesta a tierra:

Métodos de puesta a tierra:



En Canadá no se permite el uso de adaptadores temporales.

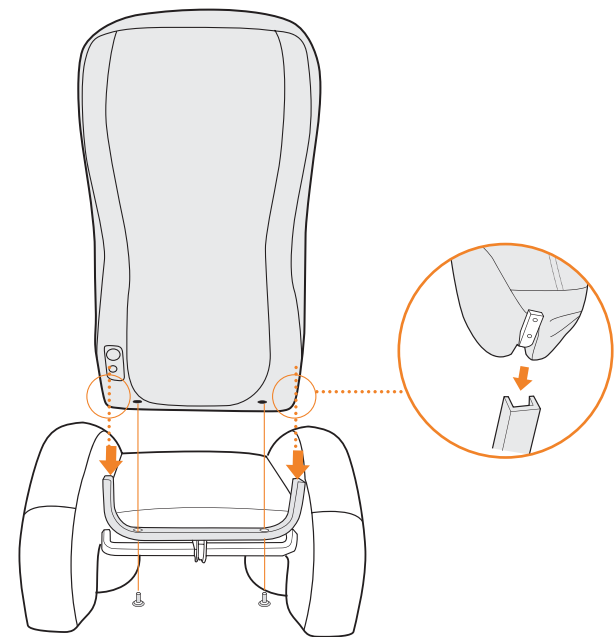
INSTRUCCIONES DE PUESTA A TIERRA

Este producto debe estar conectado a tierra. En caso de mal funcionamiento o avería, la puesta a tierra ofrece una vía de menor resistencia para la corriente eléctrica para reducir el riesgo de sacudida eléctrica. Este producto está equipado con un cable que tiene un conductor de puesta a tierra del equipo y un enchufe de puesta a tierra. El enchufe se debe conectar a un tomacorriente adecuado que esté correctamente instalado y puesto a tierra, en conformidad con todos los códigos y ordenanzas locales.

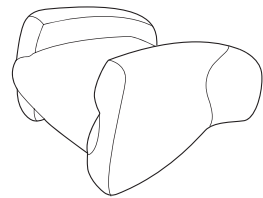
PELIGRO: La conexión inadecuada del conductor de puesta a tierra del equipo puede resultar en riesgo de sacudida eléctrica. Si no está seguro de que este producto esté correctamente puesto a tierra, consulte con un electricista calificado o con un técnico de servicio. No modifique el enchufe suministrado con el producto. Si no corresponde con el tomacorriente, haga que un electricista calificado le instale un tomacorriente adecuado.

Este producto se usa en circuitos nominales de 120 voltios y tiene un enchufe de puesta a tierra similar al enchufe que se muestra en la ilustración (A). Se puede utilizar un adaptador temporal similar al que se muestra en las ilustraciones (B) y (C) para conectar este enchufe a un receptáculo de 2 polos como el que se muestra en la ilustración B, en caso de no tener disponible un enchufe debidamente puesto a tierra. El adaptador temporal se debe utilizar sólo hasta que un electricista calificado instale un tomacorriente debidamente conectado a tierra (ilustración A). La orejeta rígida, de color verde, o terminal similar, que sale del adaptador se debe conectar a una toma de tierra permanente, como por ejemplo, una tapa de cajetín de tomacorriente debidamente puesta a tierra. Cuando se use el adaptador, se debe asegurar con un tornillo de metal.

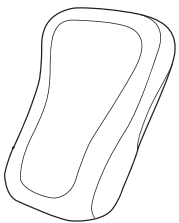
prepárese



Desenvuelva el producto



Base de la silla



Espaldar



PRECAUCIÓN: Antes de instalar el espaldar, asegúrese de retirar los cables y dedos para evitar daños o lesiones. Tal vez sea necesario que dos personas instalen el espaldar ya que es pesado.

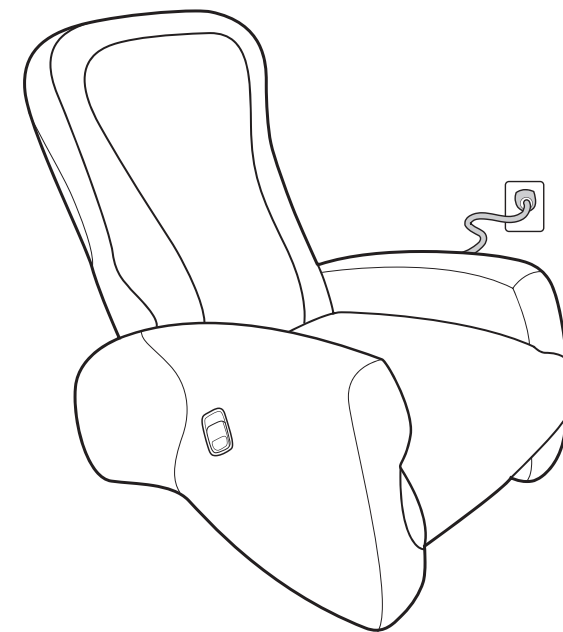
1. Instale el espaldar en la base de la silla

Antes de instalar el espaldar, retire las dos perillas de rosca ubicadas en la parte inferior del espaldar. Alinee las guías ubicadas en los laterales inferiores del espaldar con el riel de la base de la silla; luego, deslice el espaldar firmemente sobre la base de la silla. Desde la parte inferior del espaldar, coloque y apriete manualmente las dos perillas de rosca. Compruebe que las dos perillas de rosca estén instaladas y aseguradas antes de usar la silla.



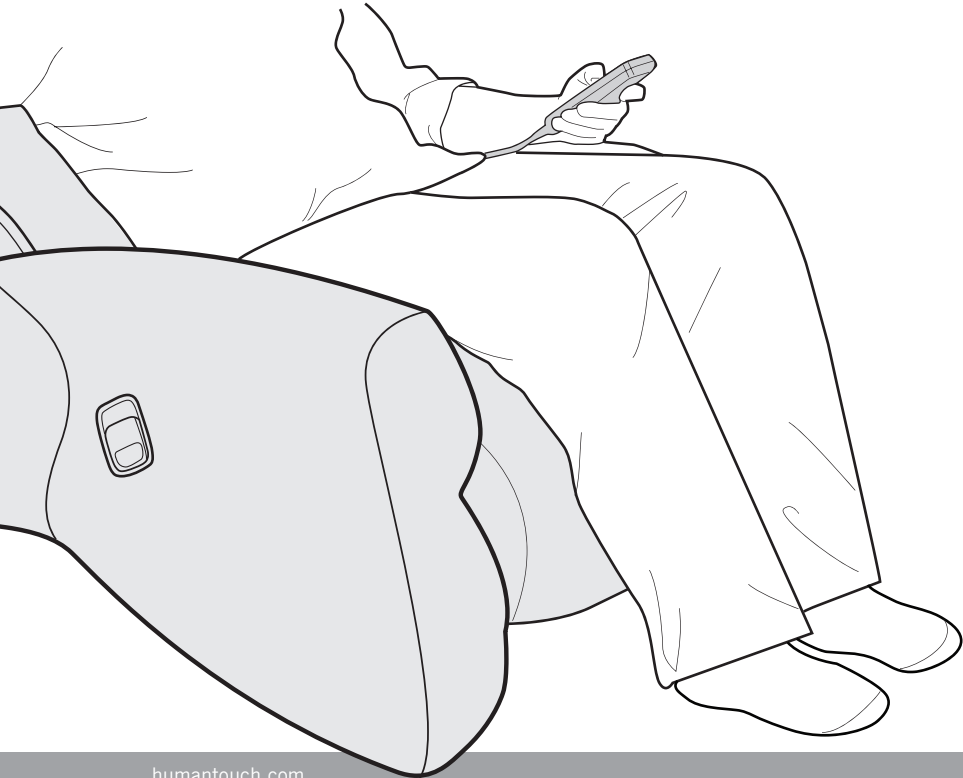
2. Conéctela

La silla se enciende automáticamente al conectarla a una fuente de alimentación adecuada.



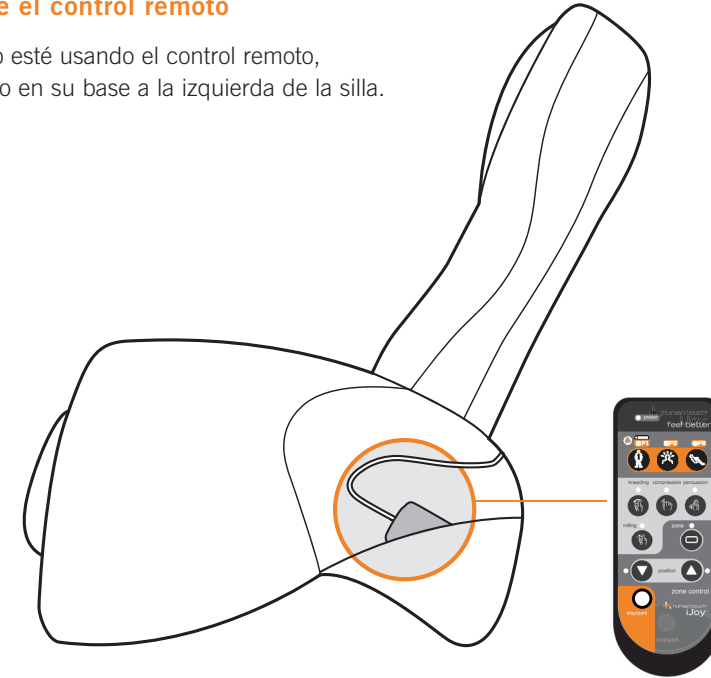
La silla de masaje Human Touch requiere una instalación sencilla. Sólo instale el espaldar en la base de la silla, conecte y listo!

tome asiento



1. Ubique el control remoto

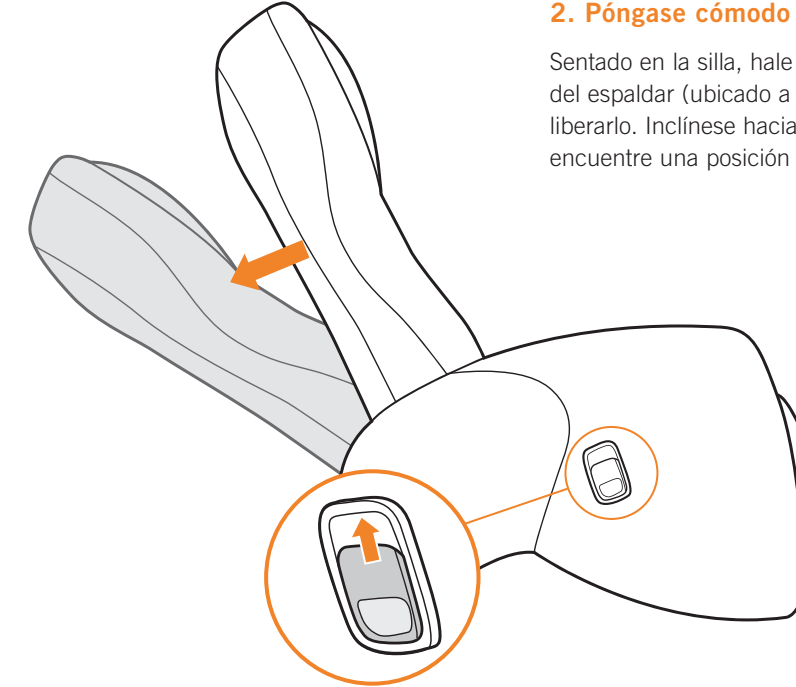
Cuando no esté usando el control remoto, manténgalo en su base a la izquierda de la silla.



38

2. Póngase cómodo

Sentado en la silla, hale el mango de liberación del espaldar (ubicado a la derecha de la silla) para liberarlo. Inclínese hacia atrás o hacia adelante hasta que encuentre una posición cómoda. Suelte el mango.



39

¡Usar la silla de masaje Human Touch es fácil! Simplemente siéntese, use la palanca del espaldar para ajustar el ángulo del espaldar y obtener máxima comodidad.

tome el control



TÉCNICAS DE MASAJE

Posición (flecha ascendente/descendente) — Use estos botones en combinación con una técnica de masaje para centrar el masaje en el área deseada de su espalda. Puede presionar este botón antes o después de seleccionar la técnica de masaje.

Encendido – Se enciende para indicar que el interruptor de alimentación principal está activo.

Tres programas de masaje automático con una combinación de técnicas de masaje diseñadas para satisfacer necesidades específicas:

P1 - Alivio de músculos adoloridos – Revitaliza el cuerpo mientras alivia los músculos adoloridos. Siéntase aliviado y sin tensión.

P2 - Terapia antiestrés – Refresca los sentidos liberando los nudos y torceduras difíciles de eliminar. Ayuda a relajar profundamente después del trabajo o juego.

P3 - Bienestar de la espalda – Mantiene los dolores controlados con un masaje personalizado que desvanece el dolor y la tensión en la región lumbar.

Vea en la parte posterior del control un conveniente índice descriptivo del Programa Automático.

Zone — Centra el masaje en un área de 6 pulgadas. Utilice los botones de posición para concentrar el masaje en el área deseada.

Stop/Auto park — detiene el masaje y estaciona los rodillos masajeadores en la parte superior del espaldar.

⦿ Cuando cambie el sentido del espaldar, se produce una leve pausa mientras los engranajes de la silla cambian. Esto es perfectamente normal.

TÉCNICAS DE MASAJE

Modo de masaje

Lo que hace

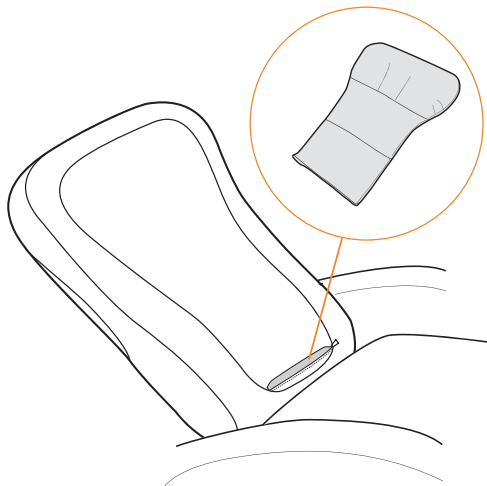
Beneficios

	PERCUSIÓN	COMPRESIÓN	AMASAMIENTO	ONDULACIÓN
	Alterna golpes ligeros rápidos a lo largo de la columna vertebral para estimular los músculos y las articulaciones del área espinal mediante la emulación de la técnica masajeadora de percusión que se utiliza en medicina deportiva para la terapia muscular profunda.	Presiona los músculos y las articulaciones del área espinal mediante golpes alternados y un movimiento oscilante suave, emulando una técnica utilizada en medicina deportiva y en la terapia espinal por quiroprácticos.	Masajea la espalda con un movimiento circular pequeño a ambos lados de la columna vertebral simultáneamente.	Ondula suavemente la espalda hacia arriba y hacia abajo cerca de la columna vertebral.
	Flexiona las articulaciones de la columna y alivia la presión de la columna, con lo cual se vigoriza toda el área de la espalda.	Extiende y aplica presión sobre el tejido muscular profundo, lo cual lo obliga a relajarse, mientras que el movimiento oscilante afloja las articulaciones de la columna. Ayuda en la reparación muscular y de las articulaciones que se han afectado por el esfuerzo producido por el ejercicio, por permanecer sentado en un escritorio, o simplemente por el estrés diario, y puede mejorar la movilidad y la postura general.	Alivia la tensión y el dolor levantando y encogiendo los músculos. Mejora la circulación y ayuda a llevar los nutrientes vitales al área espinal.	Calienta y afloja los músculos y prepara la espalda para un masaje más profundo. Alivia la tensión muscular, mejora la circulación y relaja la espalda.

Ahora escoja un modo de masaje que se adapte a la forma cómo usted se siente. La silla de masaje Human Touch le permite personalizar su masaje con una variedad de técnicas de masaje. Escoja entre tres técnicas de masaje fijas y un masaje por ondulación, o combínelos. Use los botones de posición y zona para centrar el masaje en un área específica o seleccione uno de los tres programas de masaje automático y deje que la silla tome el control. No importa cómo la use, la silla de masaje Human Touch ofrece máxima flexibilidad y beneficios de masaje.

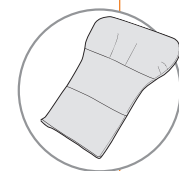
personalice la intensidad del masaje y mejore la comodidad de la espalda

The massage-softening pad softens massage intensity and enhances backrest comfort. For a stronger massage, remove the massage-softening pad.



1. Abra la cremallera en la parte frontal del respaldo.
2. Introduzca o retire la almohadilla de suavizado del masaje, según desee.
3. Cierre la cremallera.

Las almohadillas de suavizado del masaje de repuesto pueden adquirirse a Human Touch a un costo adicional.



Para experimentar todo el poder de Human Touch sólo retire la almohadilla de suavizado del masaje. Pero manténgala a mano, en caso de que quiera reemplazarla en el futuro.



La silla de masaje Human Touch puede tener cremalleras cerradas con un nudo plástico de seguridad. Corte el nudo de seguridad con un cortaúñas u otro instrumento adecuado. Tenga cuidado para no cortar la tapicería.

cuidado y mantenimiento

Para mantener su producto en funcionamiento y luciendo bien, siga estos pasos simples para su cuidado.

Limpieza:

1. Asegúrese de desconectar el cable de alimentación del tomacorriente antes de limpiar la silla.
2. No utilice benceno ni disolventes en la silla de masaje.
3. Limpie el polvo del respaldo o de los apoyabrazos con una aspiradora.
4. Si el respaldo o los apoyabrazos se manchan limpie con un paño húmedo y luego con un paño seco.
5. Se pueden usar limpiadores comunes para tapicería para las manchas difíciles.
6. Cuando limpie el control o alrededor del interruptor de alimentación, utilice solamente un paño seco. Nunca utilice un paño húmedo para limpiar el control ni el interruptor de alimentación.

CUIDADO DEL MATERIAL:

Para mantener su producto Human Touch en óptimas condiciones, limpie el polvo de la silla frecuentemente y/o con una aspiradora de cepillo suave. Los productos material de imitación de gamuza también se pueden cepillar con un cepillo para gamuza. Limpie con un paño ligeramente húmedo según sea necesario. Para limpiar las manchas difíciles en productos que no son de cuero, use un detergente suave mezclado con agua. Los productos de cuero se deben limpiar ocasionalmente con una solución limpiadora para muebles de cuero.



ADVERTENCIA:

Asegúrese de probar las soluciones limpiadoras en una superficie pequeña no visible del producto para garantizar que el color no se desvanezca antes de usar la solución en toda la superficie del producto.

Mantenimiento y reparación:

1. La mecánica de este producto está especialmente diseñada y construida para no requerir mantenimiento. No se requiere servicio ni lubricación periódicamente.
2. La silla sólo debe recibir servicio por parte de un centro de servicio autorizado.

Almacenamiento:

1. Cuando no se utilice por un largo período, recomendamos cubrir la silla, enrollar el cable de alimentación y colocar la unidad en un lugar libre de polvo y humedad.
2. No lo conserve cerca del calor, ni de las llamas. No deje este producto expuesto a la luz solar directa por largos períodos de tiempo. Ello puede causar decoloración o daños.

Otras informaciones:

1. No se deben introducir objetos extraños entre los nodos de masaje ni la carcasa de la unidad.
2. Se debe tener cuidado para no sobrecargar la unidad.



ADVERTENCIA: Este producto está equipado con un protector térmico de restablecimiento. Es una característica de seguridad adicional para protegerle a usted y al producto contra el recalentamiento. Si el producto se detiene repentinamente y no arranca, coloque el interruptor principal ubicado en la parte posterior del producto en posición de apagado (Off) y no ponga el producto en funcionamiento al menos durante 30 minutos. Si no apaga el producto, el producto puede reiniciar el funcionamiento de repente mientras se enfría.

Garantía limitada

Por favor lea la siguiente información importante de garantía antes de usar la silla de masaje Human Touch.

La misión de Human Touch es diseñar, desarrollar y fabricar productos de masaje innovadores y de alta calidad que creen un estilo de vida mejor y más saludable. Apreciamos su compromiso con nuestra misión y nuestros productos y nos complace informarle que el producto Human Touch que usted compró ofrece una garantía limitada. La garantía le proporciona tranquilidad de cobertura por defectos mecánicos o estructurales de fabricación dentro de los principios y limitaciones de cobertura que se señalan a continuación.

Principios de cobertura:

La garantía comienza en la fecha de compra original y cubre lo siguiente:

- A domicilio (mano de obra): Human Touch enviamos nuestros técnicos para reparar el producto en el domicilio del cliente, sin cargos adicionales.
- Sólo piezas (piezas): Human Touch proveerá las piezas cubiertas por esta garantía sin costo adicional para el cliente.
- Estructura (estructura metálica): Human Touch proveerá las piezas cubiertas por esta garantía sin costo adicional para el cliente.

Sillas Human Touch	Servicio en fábrica	Piezas	Estructura
Productos nuevos	90 días	1 año	3 años
Productos reacondicionados	90 días	1 año	3 años
Modelos de piso vendidos dentro de los seis meses contados a partir de su fecha de exhibición inicial.	90 días	1 año	3 años

En el caso poco probable de que el producto Human Touch presente mal funcionamiento o requiera reparación, comuníquese con su distribuidor. Los clientes en los Estados Unidos pueden comunicarse con Servicio al Cliente de Human Touch a través del número (800) 355-2762 en el horario de 6:00 am a 5:00 pm PST o escribir a cs@humantouch.com para solicitar asistencia. También pueden enviar un fax a Servicio al Cliente al número (800) 840-2940. Todo servicio de garantía requiere la aprobación y autorización de Human Touch.

Limitaciones generales:

- Esta garantía sólo es válida en los Estados Unidos y Canadá siempre y cuando el producto se haya utilizado en conformidad con sus instrucciones y no haya sido mal utilizado o deteriorado de ningún modo que vaya más allá del control de Human Touch.
- Todo el servicio cubierto por esta garantía debe ser aprobado por Human Touch y las reparaciones deben ser efectuadas por técnicos autorizados.
- La garantía cubre solamente la silla de masaje. No cubre accesorios ni mejoras.
- Se aplican exclusiones importantes a los elementos cosméticos como tejidos, madera, espuma, almohadillas, cobertores plásticos, etc.
- Human Touch no se hace responsable de ningún modo por pérdidas, daños o inconvenientes causados por las fallas del equipo.
- Para obtener un listado completo de la cobertura exclusiones y limitaciones de la garantía, visite www.humantouch.com.
- La garantía no es aplicable a los usuarios que alquilen el equipo, usuarios de negocios, comerciales, institucionales y otros usuarios no residenciales.
- Se requiere el comprobante de compra (recibo original) para todas las reparaciones en garantía.

GARANTÍA EXTENDIDA:

Human Touch ofrece programas de garantía extendida para mejorar las condiciones de compra del producto Human Touch. Las compras de garantía extendida están disponibles dentro de los 90 días siguientes a la compra del producto Human Touch al minorista o directamente al Departamento de Servicio al Cliente de Human Touch.

Visite humantouch.com para conocer las condiciones y precios más recientes de garantía extendida.

Especificaciones*

Voltaje de operación:	CA 110-120 V, 60 Hz
Consumo de energía:	75 vatios
Tamaño de la silla (reclinada):	128 cm Largo x 72 cm Ancho x 62 cm Alto (50,4" Largo x 28,3" Ancho x 24,4" Alto)
Peso de la silla:	26 kg (57,3 Lbs.)
Espacio necesario para reclinarla:	40 cm (15,7")
Peso máximo de carga:	129 kg (285 Lbs.)

**Las especificaciones quedan sujetas a cambio sin previo aviso.*