



LINKSYS® by Cisco

Wireless-N Internet Home Monitoring Camera

Delivers high-quality audio/video wirelessly for computer, smartphone, or Web viewing

No computer needed – connects directly to your network and sends audio and video via built-in video encoder and stand-alone web server

Great for home security – automated motion detection with email alerts, and password-protected viewing access



Model: WVC80N

See it, Live

The Wireless-N Internet Home Monitoring Camera is designed to send live video to your home computers, or through the Internet to a web browser or smartphone anywhere in the world! This compact, self-contained unit lets you keep track of your home, your kids, your workplace – whatever’s important to you.

A Camera That Stands Alone

Unlike standard “web cams” that require an attached PC, the Internet Home Monitoring Camera contains its own web server, so it can connect directly to a network, over either Wireless-N or wired Ethernet. High-quality, high-framerate video compression creates a sharp, up to 640x480, video stream. View the real-time feed on your networked computers at home, on the Web, or on your web or RTSP-enabled smartphone when you’re on the go.

Greater Security at a Glance

Perfect for keeping an eye on family, property, or anything important to you. The wireless connectivity and compact design makes for easy placement (mounted on a wall, or use the included desktop stand), so you can enjoy the peace of mind of reliable vigilance.

Real-Time Security

In Security Mode, the camera sends an email with a short video attached to up to three recipients whenever it detects motion in its field of view. You can then log onto the live video stream if the situation warrants. Use the included Viewer & Recorder utility to record the audio/video stream from multiple cameras to your local hard drive or shared network drive, “live,” or on a predetermined schedule.

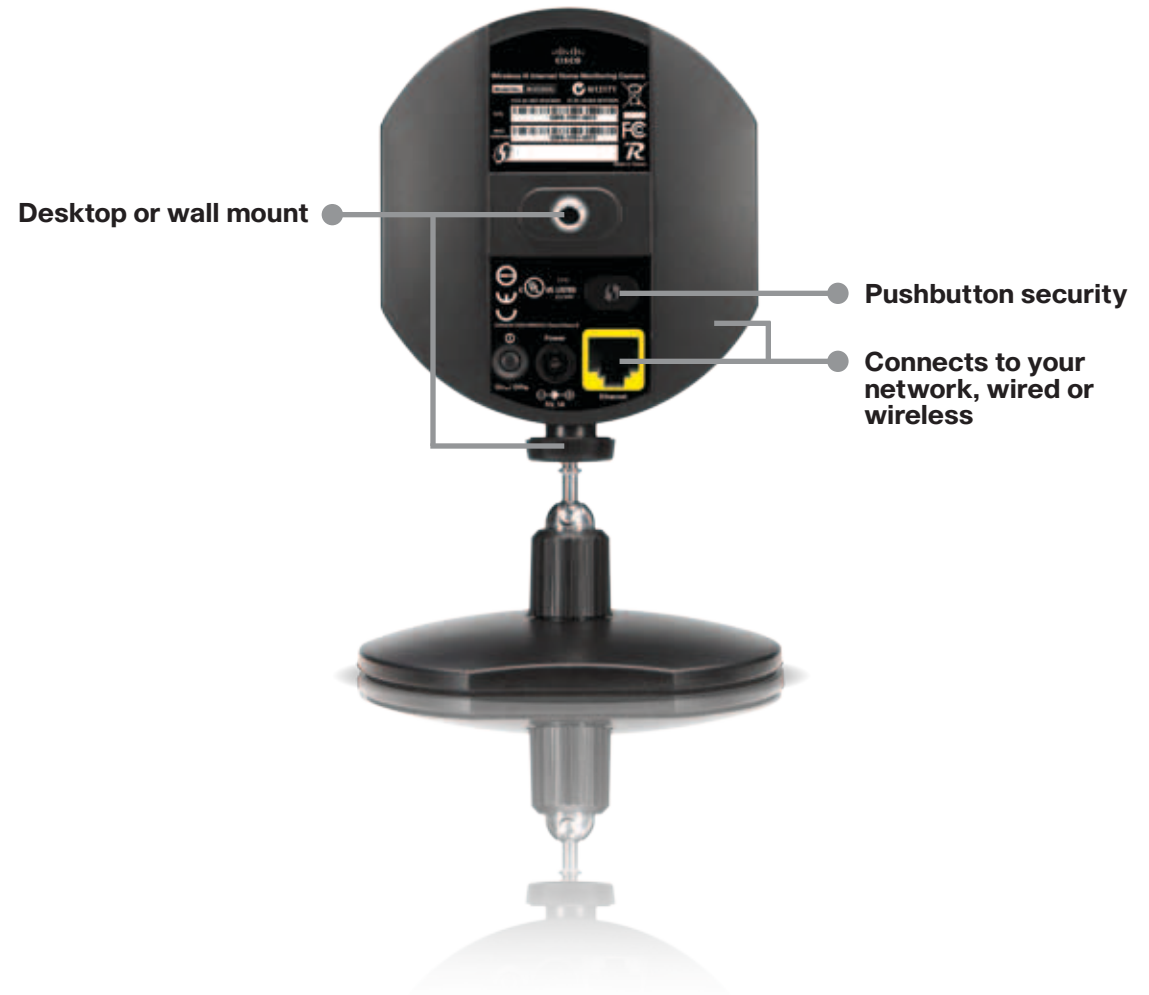
Choose Your Audience

You can keep your video stream secure and private within your home network, or share it by creating password-protected accounts. Or simply stream your broadcast to the web for the world to see.

Featured Specifications:	
Wireless Bands:	
<input checked="" type="checkbox"/> 2.4 GHz	<input type="checkbox"/> 5GHz
Lighting	
<input checked="" type="checkbox"/> Daylight/Indoors	
<input checked="" type="checkbox"/> Low light	
<input type="checkbox"/> Infrared Night Vision	
Setup and Security	
<input checked="" type="checkbox"/> Wi-Fi Protected Setup™	
<input checked="" type="checkbox"/> WEP, WPA, WPA2™ Encryption	
<input type="checkbox"/> Network Magic Basic	
<input checked="" type="checkbox"/> DDNS Service for easy remote access, 90-day free trial	
<input checked="" type="checkbox"/> Password protected video streams	
Output	
<input checked="" type="checkbox"/> HTTP to Internet	
<input checked="" type="checkbox"/> RTSP to Smartphones	
<input checked="" type="checkbox"/> Email Motion-Detect Alerts	
Max Resolution & Framerate, Encoding	
<input checked="" type="checkbox"/> 640x480	<input checked="" type="checkbox"/> MPEG-4
<input type="checkbox"/> 1280x720	<input checked="" type="checkbox"/> MJPEG
<input type="checkbox"/> 15 fps	<input type="checkbox"/> H.264
<input checked="" type="checkbox"/> 30 fps	
Sound	
<input checked="" type="checkbox"/> Built-in microphone	
<input type="checkbox"/> Built-in speaker	
Remote Management	
<input checked="" type="checkbox"/> Settings	
<input type="checkbox"/> Infrared Floodlight	
<input type="checkbox"/> Pan and Tilt	
Special Features	
<input checked="" type="checkbox"/> Direct to disk recording	
<input checked="" type="checkbox"/> Up to 9-camera Monitoring Utility	
<input type="checkbox"/> Enclosure ready	
<input type="checkbox"/> Built-in Media Server	

Features

- Monitor your home from anywhere in the world via the Internet
- Integrated web server - viewable from most web browsers
- Supports MPEG-4 and MJPEG compression
- View video from your Wireless-N or wired Ethernet network
- Motion Detection and Email notification
- Create a database for user authentication
- Supports resolution of up to 640x480 pixels
- Time Stamp & Text Overlay
- Supports up to 5 simultaneous unicast connections
- Multicast RTP support allows multiple users to access the media stream
- Supports TZO DDNS Service for dynamic IP connection, 90-Day Free Trial
- Multi-platform support – TCP/IP, SMTP (Email), HTTP, DHCP, and FTP
- Windows-based Setup Wizard for easy setup
- WEP, WPA, and Wi-Fi Protected Access™ 2 (WPA2) Encryption
- Supports multiple resolution streams – can be used by PC and smartphone simultaneously
- Includes easy to use multi-camera monitoring utility with Snapshot feature



Minimum Requirements

For Setup

- Windows PC with Internet Explorer 6 or higher for browser-based configuration, or
- Setup Wizard software requires CD or CD/DVD drive and up-to-date Windows XP, Vista, Vista 64-bit Edition, or Mac OS X 10.4 or higher

For Viewing Video

- Windows PC with included Monitoring Utility, or
- Any computer with Internet Explorer 6, Safari 3, or Firefox 3 or higher, or a stream-enabled video player (VLC, Quicktime Player, Windows Media Player version 10 or higher, etc.)
- Smartphone with advanced web browser or RTSP

Package Contents

- Wireless-N Internet Home Monitoring Camera with stand
- Setup Wizard, Monitoring Utility, and User Guide on CD-ROM
- Ethernet Network Cable
- Quick Installation Guide
- Power Adapter

Model: **WVC80N**

Specifications

Model	WVC80N
Standards	IEEE 802.3u, 802.3, 802.11g, 802.11b, draft 802.11n
Ports	Ethernet, Power
Buttons	Power, Reset, Wi-Fi Protected Setup™
LEDs	Power, Wi-Fi Protected Setup™
Cabling Type	CAT5
# of Antennas	1
Detachable (y/n)	No
Modulations	802.11b: CCK/QPSK, BPSK 802.11g: OFDM/BPSK, QPSK, 16-QAM, 64-QAM 802.11n: OFDM/BPSK, QPSK, 16-QAM, 64-QAM
RF Pwr (EIRP) in dBm	802.11b: 18 dBm (typical) @ 11Mbps 802.11g: 16 dBm (typical) @ 54Mbps 802.11n: 15dBm (typical) @ 65Mbps (HT20), 135Mbps (HT40)
Receive Sensitivity in dBm	802.11b: -87dBm (typical) @ 11Mbps 802.11g: -72dBm (typical) @ 54Mbps 802.11n: -70dBm (typical) @ MCS7, -65dBm (typical) @ MCS7
Antenna Gain in dBi	1.5 dBi
UPnP able/cert	UPnP Advertise
Wireless Security	WEP, WPA, Wi-Fi Protected Access™ 2 (WPA2)
Security Key Bits	Up to 128-bit encryption
OS Requirements	Windows XP, Vista, Vista 64-bit edition with latest updates, or Mac OS X 10.4 or higher (for Setup Wizard only)
Effective Focus	50cm to unlimited
Sensitivity	6.0V/Lux-sec
Field of View	61.2 degrees
Compression Algorithm	MPEG-4 part 2 and MJPEG
Record File Format	ASF, AVI
Brightness	Auto/Manual Adjustment

Environmental

Dimensions	3.54" x 4.72" x 1.46" (90 x 120 x 37 mm)
Weight	0.29 lb (130 g)
Power	5V, 1A
Certification	FCC, UL/cUL, ICES-003, RSS210, Wi-Fi (IEEE 802.11b/g), WPA2™, Wi-Fi Protected Setup™
Operating Temperature	32 to 95° F (0 to 35° C)
Storage Temperature	-13 to 167° F (-25 to 75° C)
Operating Humidity	0% to 90% Non-Condensing
Storage Humidity	0% to 95% Non-Condensing

The maximum performance for wireless is derived from IEEE Standard 802.11 specifications. Actual performance can vary, including lower wireless network capacity, data throughput rate, range and coverage. Performance depends on many factors, conditions and variables, including distance from the access point, volume of network traffic, building materials and construction, operating system used, mix of wireless products used, interference and other adverse conditions.

Specifications are subject to change without notice.



© 2009 Cisco Systems, Inc. All rights reserved. Cisco, the Cisco logo, and Linksys are trademarks or registered trademarks of Cisco Systems, Inc. and/or its affiliates in the United States and certain other countries. All other trademarks mentioned in this document or website are the property of their respective owners. The use of the word partner does not imply a partnership relationship between Cisco and any other company.

Model: **WVC80N**