

1N1-S product information sheet

Product Specifications

Fits most: 13" - 32" flat panels

Supports up to: 40 lbs (18.1 kg)

Mounting profile: 0.5" (13mm)

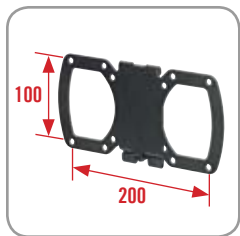
VESA compliant: 75x75, 100x100, 100x200

Mounting: Single-stud

Color: Black

Product Benefits

- New VESA plate design increases panel compatibility
- Low profile design
- Lift n' Lock™ allows you to easily attach your flat panel to the mount
- Locking system secures panel to mount
- Simple to install and use
- Includes complete hardware kit



The 1N1-S design increases panel compatibility to VESA 100x200



cUL US LISTED

Series



1N1-S



3N1-S



4N1-M*



2006 Custom Retailer
EXCITE Award



2N1-M**



3N1-PJT

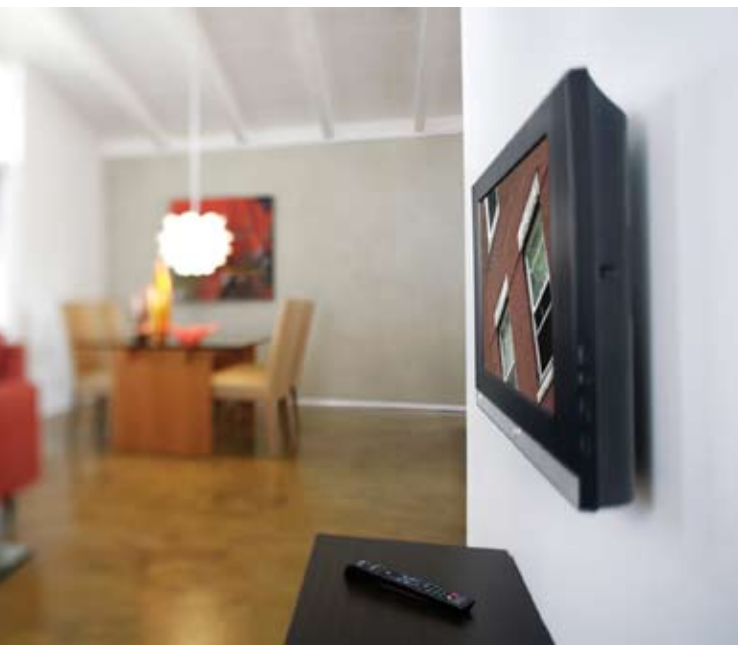


2008

*Also available in small and large

**Available in medium and large, fixed and tilt

OmniMount, an innovator of A/V mounts and furniture for more than a quarter century, is the choice of professional installers and the brand most recommended by flat panel manufacturers. The WorldMount Series offers maneuverability, adaptability and a stylish look – all at an affordable price. The 1N1-S is the ideal mount for entry-level consumers looking for an easy-to-use small fixed mount.



1N1-S technical data sheet



OmniMount, an innovator of A/V mounts and furniture for more than a quarter century, is the choice of professional installers and the brand most recommended by flat panel manufacturers. The WorldMount Series offers maneuverability, adaptability and a stylish look – all at an affordable price. The 1N1-S is the ideal mount for entry-level consumers looking for an easy-to-use small fixed mount.

Product Specifications

Fits most: 13" - 32" flat panels

Supports up to: 40 lbs (18.1 kg)

Mounting profile: 0.5" (13mm)

VESA compliant: 75x75, 100x100, 100x200

Mounting: Single-stud

Color: Black



Product Benefits

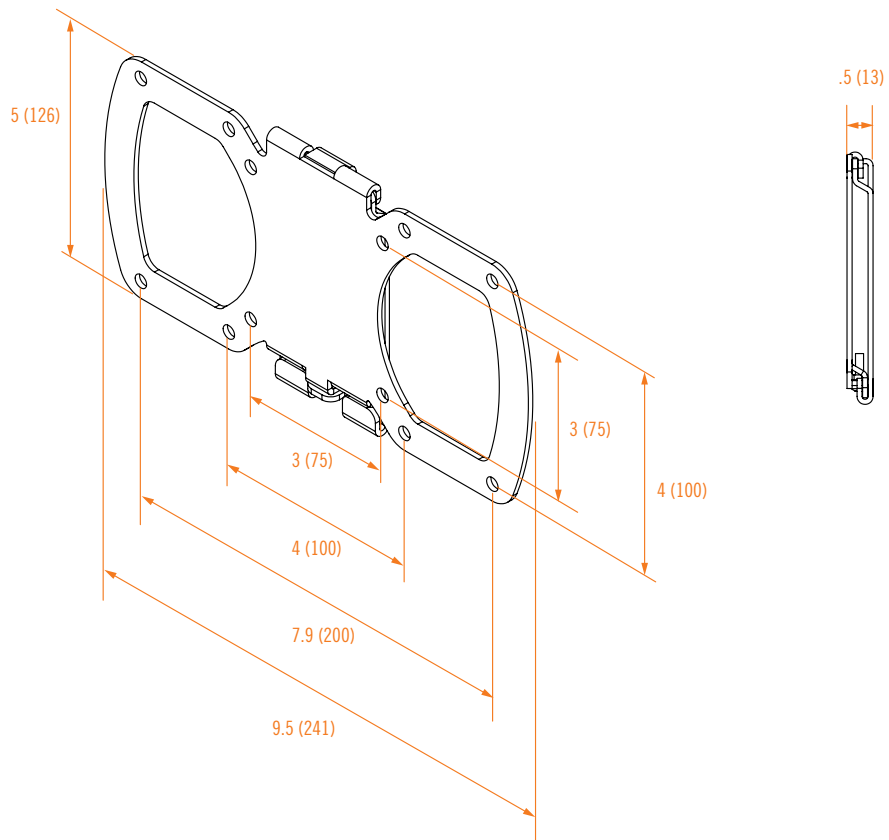
- New VESA plate design increases panel compatibility
- Low profile design
- Lift n' Lock™ allows you to easily attach your flat panel to the mount
- Locking system secures panel to mount
- Simple to install and use
- Includes complete hardware kit

	Stock Code	Packaging UPC	MC UPC
Americas	1004203-1	728901017803	728901711114
International	NA	NA	NA

	Dimensions WxDxH inches (mm)	Wt lbs (kg)
Product Box	11 x 6 x 1.3 (279x152x32)	1.6 (.7)
Master Carton	11.3 x 5 x 6.5 (286x127x165)	6.4 (2.9)

Box Contents	Qty
Wall plate	1
VESA adapter	1
Complete mount installation hardware kit	1
Complete panel attachment hardware kit	1
Instruction manual	1
Flat panel compatibility chart	1

1N1-S line drawing



inches (mm)