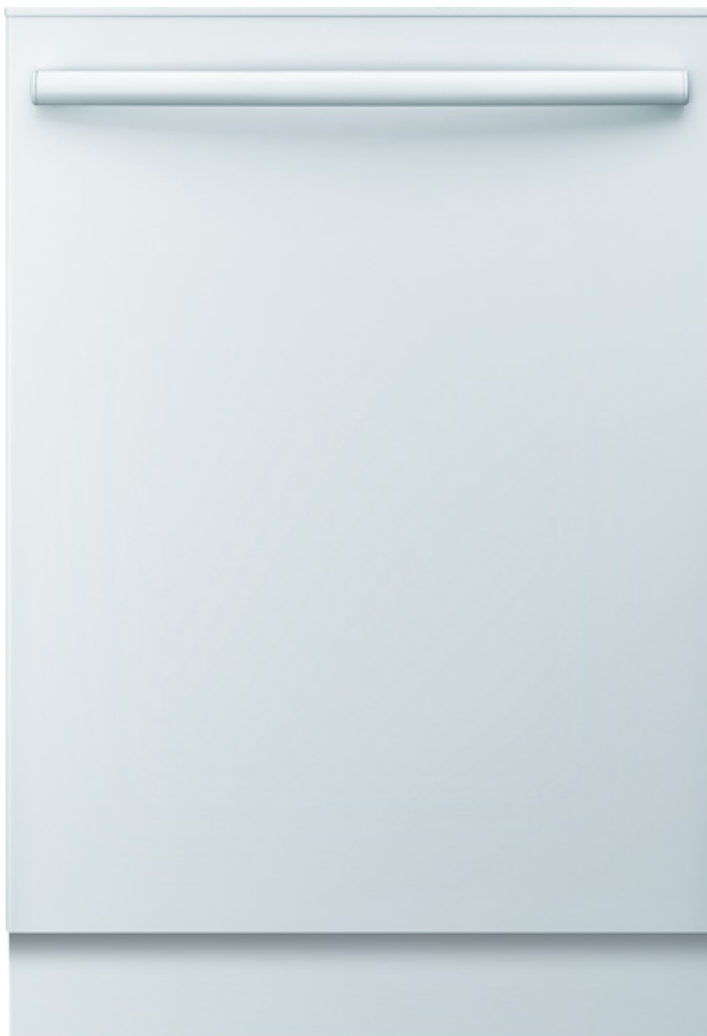


# SHX6AP02UC

## 24" Ascenta Dishwasher

### Dishwasher



#### Features and Benefits

##### Appearance

- Stainless Steel TallTub w/ \*PP - Lifetime Warranty on Rust-Through
- 6 Wash Cycles and 2 Options

##### Quietness

- Virtually Silent: 50 dBA
- Two Pumps Minimize Noise & Vibration

##### Efficiency

- 300 kwh/yr - Energy Star®
- EcoSense™ Reduces Energy Usage by up to 20%
- Half Load Option for Small Loads
- SaniDry™ Hygienic Condensation Drying
- Flow-Through Water Heater™
- Triple Filtration System

##### Safety

- Bosch Exclusive 24/7 Overflow Leak Protection
- NSF Certified - Eliminates 99.9% of Bacteria
- Concealed Heating Element - No Melting of Plastics

##### Capacity

- 14 Place Setting Capacity
- 300 Series Racks with Flexible Silverware Basket and 2 Cup Shelves
- Manual Height Adjustment Upper Rack

##### Convenience

- Quick Wash - In 30 Minutes or Less
- 3 h, 6 h, 9 h Delay Star Timer

##### Performance



Notes: All height, width and depth dimensions are shown in inches. \*Please refer to installation instructions prior to making cutout. BSH reserves the absolute and unrestricted right to change product materials and specifications, at any time, without notice. Consult the product's installation instructions for final dimensional data and other details. Applicable product warranty can be found in a accompanying product literature or you may contact your account manager for further details.

For more information on our entire line of products, go to [boschappliances.com](http://boschappliances.com) or call 1-800-944-2904.  
Copyright ©2009 BSH Home Appliances Corporation. All rights reserved. Bosch is a registered trademark of Robert Bosch GmbH.

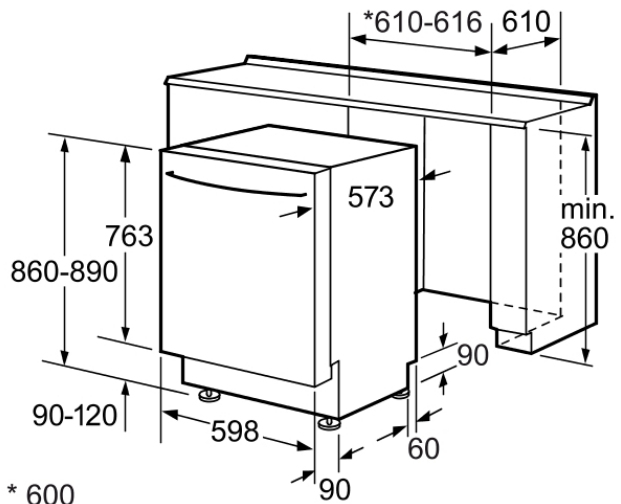
Litho Date: 10/2009



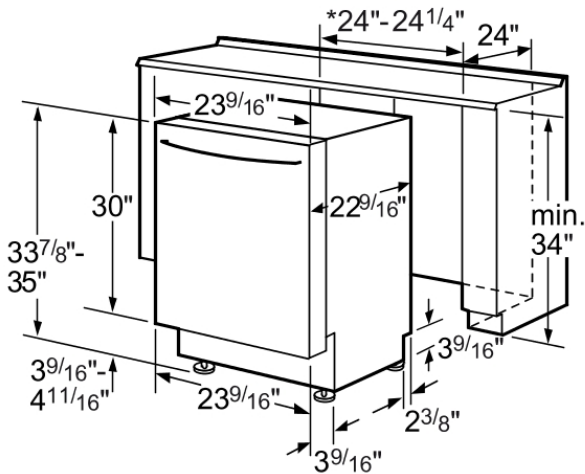
# SHX6AP02UC

## 24" Ascenta Dishwasher

### Dishwasher



\* 600  
without decor strips      Measurements in mm



\* 23<sup>5</sup>/<sub>8</sub>" without decor strips  
  
in inches

### Features

UPC code	825225875192
Main color of product	White
Installation Type	Build-under
Panel ready	Not possible
Alternative colors available	SHX6AP05UC, SHX6AP06UC
Silence level (dBA)	50
Watts (W)	1400
Current (A)	12
Volts (V)	120
Frequency (Hz)	60
Total annual energy consumption (kWh)	300
Energy Star® qualified	Yes
Plug type	Fixed connection
Power cord length (in)	
Length outlet hose (in)	90 1/2 "
Length inlet hose (in)	
Required cutout size (HxWxD) (in)	33 15/16" - 35" x 24 " x 24 "
Overall appliance dimensions (HxWxD) (in)	33 7/8 " x 23 9/16 " x 22 9/16 "
Product packaging dimensions (HxWxD) (in)	36.22 x 26.37 x 25.98
Net weight (lbs)	100
Gross weight (lbs)	111
Adjustable feet	No
Tub material	Stainless steel/Polinox
Tub type	TALLTUB
ADA Compliant	No
Number of place settings	14

### Technical Specification

Leak Protection System	AQUASTOP
ChildLock	No
Water softener	No
Top basket type	low
Adjustable upper rack	Single
Shelf Racks in Top Basket	
Upper rack cup shelf	2 x simple
Bottom basket type	low
Bottom basket Inserts	0
3rd Rack	no
Silverware basket	Standard
Optional accessories	

Notes: All height, width and depth dimensions are shown in inches. \*Please refer to installation instructions prior to making cutout. BSH reserves the absolute and unrestricted right to change product materials and specifications, at any time, without notice. Consult the product's installation instructions for final dimensional data and other details. Applicable product warranty can be found in a accompanying product literature or you may contact your account manager for further details.

For more information on our entire line of products, go to [boschappliances.com](http://boschappliances.com) or call 1-800-944-2904.  
Copyright ©2009 BSH Home Appliances Corporation. All rights reserved. Bosch is a registered trademark of Robert Bosch GmbH.

Litho Date: 10/2009

