

TBe

Utopia Be® tweeter



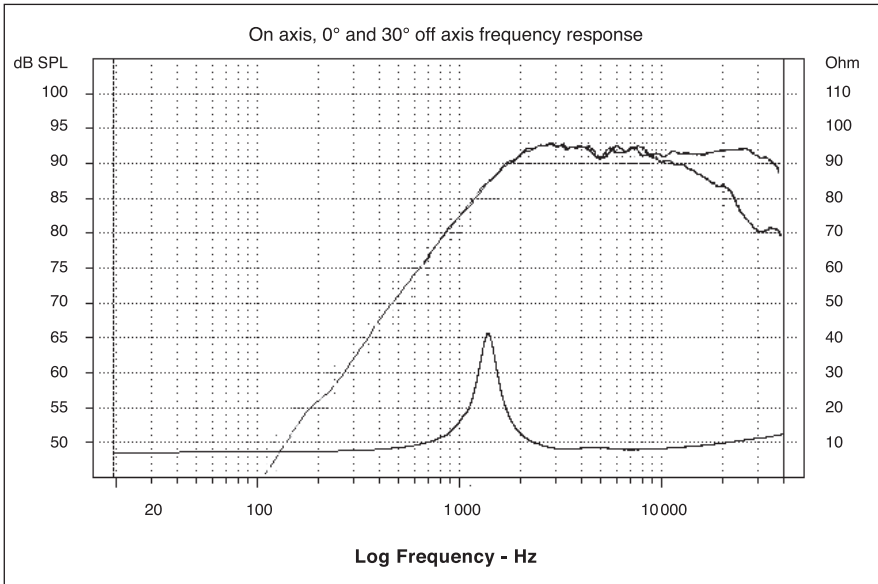
- Pure Beryllium inverted dome
- High power Neodymium ring magnet
- Thick cast zinc alloy mounting



Specifications

Nominal power	15 W (without filtering)	
Maximum power	200 W (with filtering)	
Sensitivity (2.83V/m)	94.1 dB	
Cone	Beryllium	
Surround	Foam	
Nom. impedance	8 ohm	
DC resistance	6 ohm	
VC diameter	20 mm	0.78 in
Former	Aluminum	
Layers	2	
Wire	Aluminum	
Inductance	0.06 mH	
Xmax	-	
Magnet	Neodymium	
Flux density	2.1 T	
Gap height	2.5 mm	0.1 in
Net weight	0.2 kg	0.44 lb

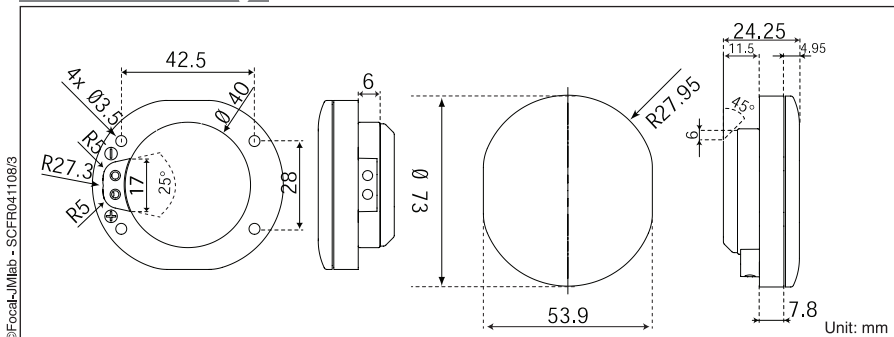
Frequency Response / Impedance



Parameters

Fs	1294 Hz
Vas	-
Qts	-
Qes	-
Qms	-
Re	6 ohm
Sd	4.9 cm ²
Cas	-
Mas	-
Ras	-
Cms	-
Mms	-
Rms	-
Ces	-
Les	-
Res	42 ohm
BI	-
SPL	93 dB/W/m

Mechanical Drawing



©Focal-Jmlab - SCFR04110803

Focal® is a trademark of Focal-Jmlab®

ORCA Design & Manufacturing Corp. 804 Calle Plano Camarillo, CA 93012 tel: (888) 340-4403 www.focal-america.com

L-fr.com