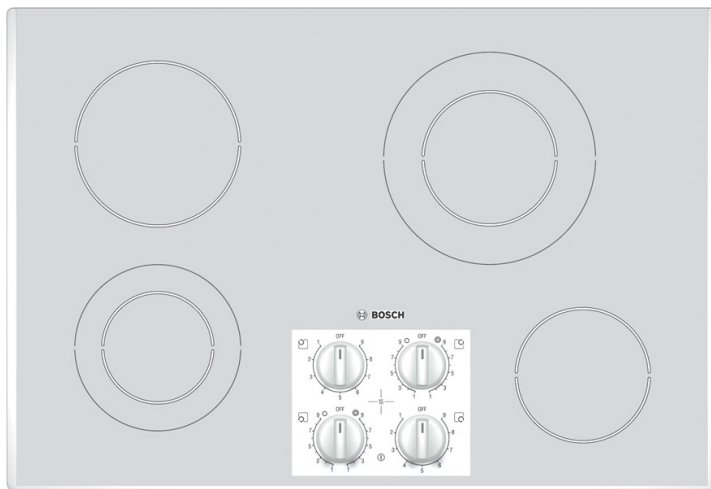


NEM7422UC

Electric Cooktop

400 Series



Features and Benefits

- 4 HighSpeed cooking zones, including:
 - 2 dual zones
 - Zone extension activation with the knob
 - 4 stage residual heat indicator
 - Decorated HighSpeed ceramic glass
- U-Facette design

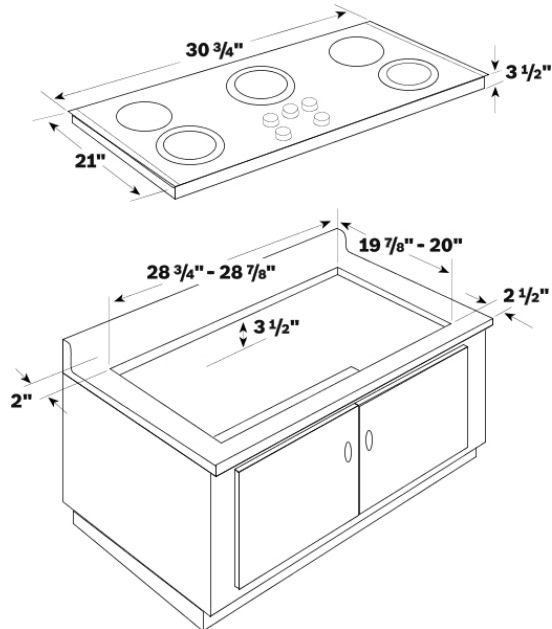
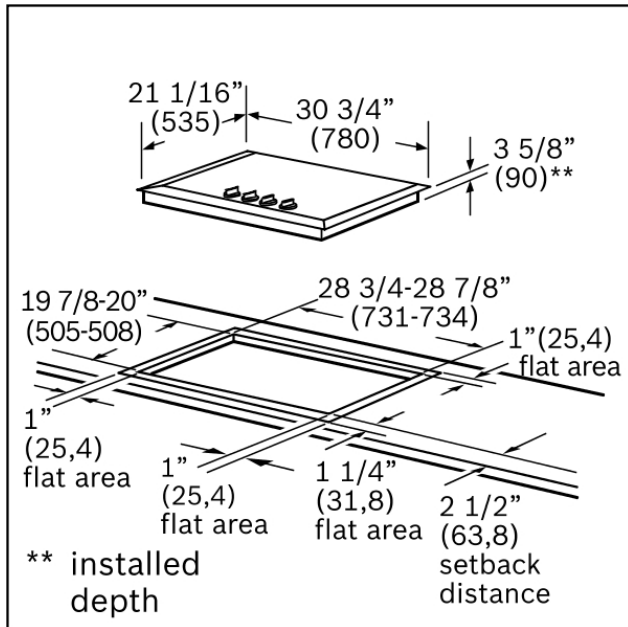
Notes: All height, width and depth dimensions are shown in inches. *Please refer to installation instructions prior to making cutout. BSH reserves the absolute and unrestricted right to change product materials and specifications, at any time, without notice. Consult the product's installation instructions for final dimensional data and other details. Applicable product warranty can be found in a accompanying product literature or you may contact your account manager for further details.

For more information on our entire line of products, go to boschappliances.com or call 1-800-944-2904.
Copyright ©2009 BSH Home Appliances Corporation. All rights reserved. Bosch is a registered trademark of Robert Bosch GmbH.

Litho Date: 10/2009



NEM7422UC
Electric Cooktop
400 Series



Features

Knob Material	
Sealed Burners	No
Burners with booster	
Type of grate	
Natural Gas Connection Rating (BTU)	
LP Gas Connection Rating (BTU)	
Dimension of 1st heating element (in)	5"; 7"
Power of 1st heating element (kW)	1.7 ; 0.7
Power of 1st burner (BTU)	
Dimension of 2nd heating element (in)	7"
Power of 2nd heating element (kW)	1.8
Power of 2nd burner (BTU)	
Dimension of 3rd heating element (in)	
Power of 3rd heating element (kW)	1.1 ; 2.5
Power of 3rd burner (BTU)	
Dimension of 4th heating element (in)	6" / 9"
Power of 4th heating element (kW)	1.2
Power of 4th burner (BTU)	
Dimension of 5th heating element (in)	6"
Power of 5th heating element (kW)	
Power of 5th burner (BTU)	
Dimension of 6th heating element (in)	

Technical Specification

UPC code	825225841517
Main color of product	White
Energy source	Electric
Gas type	
Alternative gas type	
Watts (W)	7200
Current (A)	30
Volts (V)	240/208
Frequency (Hz)	60
Approval certificates	CUL
Power cord length (in)	37"
Plug type	Fixed connection, No plug
Required cutout size (HxWxD) (in)	3 1/2" x 28 3/4" x 19 7/8"
Minimum distance from counter front (in)	
Minimum distance from rear wall (in)	
Overall appliance dimensions (HxWxD) (in)	1/4"+3 1/2" x 30 3/4" x 21"
Product packaging dimensions (HxWxD) (in)	8.26 x 37.40 x 24.40

Notes: All height, width and depth dimensions are shown in inches. *Please refer to installation instructions prior to making cutout. BSH reserves the absolute and unrestricted right to change product materials and specifications, at any time, without notice. Consult the product's installation instructions for final dimensional data and other details. Applicable product warranty can be found in a accompanying product literature or you may contact your account manager for further details.

For more information on our entire line of products, go to boschappliances.com or call 1-800-944-2904.
Copyright ©2009 BSH Home Appliances Corporation. All rights reserved. Bosch is a registered trademark of Robert Bosch GmbH.

Litho Date: 10/2009

