

500 Series 30" Combination Wall Oven HBL5720UC - White



Features and Benefits

Appearance

- ClearTouch® Glass Control
- Retractable Controls for Sleek and Easy to Clean Design
- Flush-to-Cabinet Design
- 2-in-1 Design Oven and Traditional Microwave

Capacity

- #1 in Capacity at 4.7 Cu.Ft.
- Recessed Broil Element for Increased Capacity and Safety
- Hidden Bake Element for Increased Capacity

Convenience

- Amber Colored Full Text Display
- Timer with Cook Time and Delay Start Function
- Extra Large Door Window for Easy Monitoring of Cooking
- High Quality Self-cleaning Rack Supports
- Two Oven Lights to Better Monitor Cooking Progress
- Sabbath Mode

Performance

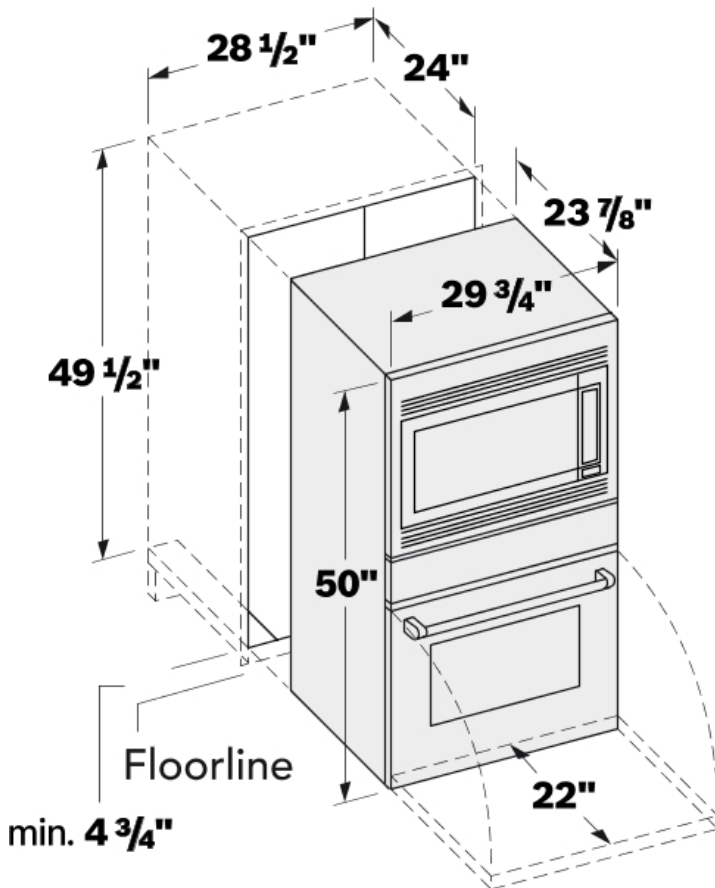
- Genuine European Convection With ACS
- Speed Convection Saves up to 30% Time
- Fast Preheat Reduces Preheat Time to around 7 Minutes
- 14 Specialized Cooking Modes - Gourmet Cooking Made Easy
- Custom Cooking Modes: Pizza, Pie, Warm and Proof
- Meat Probe Takes Guesswork out of Cooking
- Recipe Mode Provides 30 Pre-Programmed Auto Settings

Notes: All height, width and depth dimensions are shown in inches. *Please refer to installation instructions prior to making cutout. BSH reserves the absolute and unrestricted right to change product materials and specifications, at any time, without notice. Consult the product's installation instructions for final dimensional data and other details. Applicable product warranty can be found in a accompanying product literature or you may contact your account manager for further details.

For more information on our entire line of products, go to boschappliances.com or call 1-800-944-2904.
Copyright ©2009 BSH Home Appliances Corporation. All rights reserved. Bosch is a registered trademark of Robert Bosch GmbH.

Litho Date: 10/2009

500 Series
30" Combination Wall Oven
HBL5720UC - White



Features

Cooking method first cavity	Microwave
Cooking method second cavity	, Bake, Broil, Convection Bake, Convection Broil, Convection Roast, Dehydrate, Pizza, Proof, Speed Convection, Top heating, 1/3 bottom heat., True Convection, Warm
Cleaning system - cavity 1	Self Clean
Number of interior lights	1
Electronic timer	
Included accessories	3 x Oven racks /lower, 1 x Broiler pan /lower, 1 x Temperature probe /lower
Bake Element Wattages cavity 1 (W)	
Broil Element Wattages cavity 1 (W)	
Convection Element Wattages cavity 1 (W)	
Microwave Wattages (W)	1200

Technical Specification

UPC code	825225843184
Product color	White
Alternative colors available	HBL5750UC, HBL5760UC
Energy source	Electric
Watts (W)	10200
Current (A)	50
Volts (V)	240/208
Frequency (Hz)	60
Approval certificates	CSA
Power cord length (in)	50
Plug type	Fixed connection, No plug
Required cutout size (HxWxD) (in)	49 1/2" x 28 1/2" x 24"
Overall appliance dimensions (HxWxD) (in)	50" x 29 3/4" x 23 7/8"
Product packaging dimensions (HxWxD) (in)	56 1/4" x 33 1/2" x 31 1/2"
Net weight (lbs)	250
Gross weight (lbs)	287

Notes: All height, width and depth dimensions are shown in inches. *Please refer to installation instructions prior to making cutout. BSH reserves the absolute and unrestricted right to change product materials and specifications, at any time, without notice. Consult the product's installation instructions for final dimensional data and other details. Applicable product warranty can be found in a accompanying product literature or you may contact your account manager for further details.

For more information on our entire line of products, go to boschappliances.com or call 1-800-944-2904.
Copyright ©2009 BSH Home Appliances Corporation. All rights reserved. Bosch is a registered trademark of Robert Bosch GmbH.

Litho Date: 10/2009