



# IT188B INSTRUCTION MANUAL

## Contents

Warnings and Precautions .....	2
Important Safety Instructions.....	3
In the Box & Features.....	4
Powering the Unit & Changing the Remote Battery .....	5
Setting the Clock .....	6
Docking and Playing an iPod.....	7
Tuning the AM/FM Radio & Saving Radio Stations to the Units Memory .....	8
Composite Video Output & Stereo RCA Output .....	9
Using the Stereo RCA Inputs.....	10
Mounting the Unit to a Wall .....	11
Location of Controls & Control Definitions.....	12-19
Service Information.....	20

# Warnings and Precautions

---

**TO PREVENT FIRE OR SHOCK HAZARDS, DO NOT EXPOSE THIS UNIT TO RAIN OR MOISTURE.**



This symbol, located on back or bottom of the unit, is intended to alert the user to the presence of uninsulated “dangerous voltage” within the product’s enclosure that may be of sufficient magnitude to constitute a risk of electric shock to persons.



This symbol, located on back or bottom of the unit, is intended to alert the user to the presence of important operating and maintenance (servicing) instructions in the literature accompanying the appliance.

**CAUTION:** TO PREVENT ELECTRIC SHOCK, MATCH WIDE BLADE OF PLUG TO WIDE SLOT, FULLY INSERT.

To reduce the risk of electric shock, do not remove cover (or back). There are no user-serviceable parts inside. Please refer any servicing to qualified service personnel.

**WARNING:** Changes or modifications to this unit not expressly approved by the party responsible for compliance could void the user’s authority to operate the equipment.

**WARNING:** Danger of explosion if the remote control’s batteries are incorrectly installed. Replace only with the same or equivalent battery.

The apparatus shall not be exposed to dripping or splashing and that no objects filled with liquids, such as vases, shall be placed on apparatus

Mains plug is used as the disconnect device. It shall remain readily operable and should not be obstructed during intended use. To be completely disconnected the apparatus from supply mains, the main plug of the apparatus shall be disconnected from the mains socket outlet completely.

Batteries shall not be exposed to excessive heat such as sunshine, fire or the like.

The marking plate is located on the bottom enclosure.

The caution marking is located on the bottom enclosure.

**WARNING:** Use of this unit near fluorescent lighting may cause interference regarding use of the remote. If the unit is displaying erratic behavior move away from any fluorescent lighting, as it may be the cause.

**NOTE:** This equipment has been tested and found to comply with the limits for a Class B digital device, pursuant to Part 15 of the FCC Rules. These limits are designed to provide reasonable protection against harmful interference in a residential installation. This equipment generates, uses, and can radiate radio frequency energy and, if not installed and used in accordance with the instructions, may cause harmful interference to radio communications. However, there is no guarantee that interference will not occur in a particular installation. If this equipment does cause harmful interference to radio or television reception, which can be determined by turning the equipment off and on, the user is encouraged to try to correct the interference by one or more of the following measures:

- Reorient or relocate the receiving antenna.
- Increase the separation between the equipment and receiver.
- Connect the equipment into an outlet on a circuit different from that to which the receiver is connected.
- Consult the dealer or an experienced radio/TV technician for help.

# Important Safety Instructions

---

1. Read these Instructions.
2. Keep these Instructions.
3. Heed all Warnings.
4. Follow all instructions.
5. Do not use this apparatus near water.
6. Clean only with a damp cloth.
7. Do not block any of the ventilation openings. Install in accordance with the manufacturers instructions.
8. Do not install near any heat sources such as radiators, heat registers, stoves, or other apparatus (including amplifiers) that produce heat.
9. Do not defeat the safety purpose of the polarized or grounding - type plug. A polarized plug has two blades with one wider than the other. A grounding type plug has two blades and a third grounding prong. The wide blade or the third prong are provided for your safety. When the provided plug does not fit into your outlet, consult an electrician for replacement of the obsolete outlet.
10. Protect the power cord from being walked on or pinched particularly at plugs, convenience receptacles, and the point where they exit from the apparatus.
11. Only use attachments/accessories specified by the manufacturer.
12. Use only with a cart, stand, tripod, bracket, or table specified by the manufacturer, or sold with the apparatus. When a cart is used, use caution when moving the cart/apparatus combination to avoid injury from tip-over.

## Portable Cart Warning



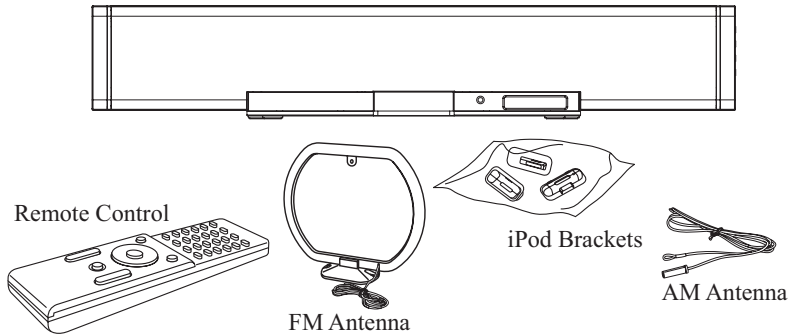
13. Unplug this apparatus during lightning storms or when unused for long periods of time.
14. Refer all servicing to qualified service personnel. Servicing is required when the apparatus has been damaged in any way, such as power-supply cord or plug is damaged, liquid has been spilled or objects have fallen into the apparatus, the apparatus has been exposed to rain or moisture, does not operate normally, or has been dropped.

## Note:

1. Important safety instructions shall be provide will each appliance. These safety instructions may be in the form of a separate booklet, separate sheet, or part of the instruction manual.
2. If included in the instruction manual, the safety instructions shall be located before any operating instructions.
3. These instructions shall be entitled "IMPORTANT SAFETY INSTRUCTIONS".
4. The safety instructions shall include, as applicable to the particular apparatus, the information and warnings listed before. The wording is capable of being supplements, although not replaced, by drawing or cartoons.
5. The symbol shall be shown adjacent to the text of Important Safety Instructions

## In the Box

---



Brackets for iPod  
AM and FM Antennas  
Remote Control, Remote Batteries, included  
Wall-Mount Hardware and Instructions

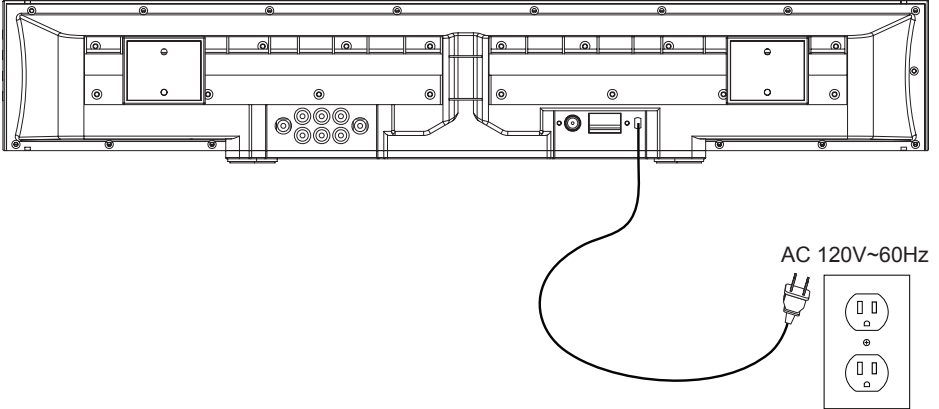
## Features

---

- Docking Station for iPod®
- Certified iPod Connector installed for iPod docking.
- Recharge Circuit for iPod/mini/nano/ photo/video
- Controls connected iPod players
- Electronic Volume Control
- Motorized iPod Docking Drawer
- Wall-Mountable (Mounting Hardware included)
- iPod Authentication IC
- 2.1 Channel Speaker System
- Magnetically Shielded Full-Range Stereo Speakers
- Subwoofer built in
- Built-in Amplifier
- Digital Tune AM/FM Radio
- Direct Access Tuning
- 10 Station Memory Presets
- Digital Clock with Adjustable Timer
- LCD Display with White Backlight
- Video Out Jack for iPod photo & video versions, RCA type
- Line-In jack for other Audio Players, 3.5mm
- 2- Aux-In jacks for other Audio Players
- Subwoofer Output Jack
- A/V Output
- Remote Control
- Full-Feature Remote Control operates Unit & iPod
- Direct Access Radio Station Tuning
- Bass & Treble Level Function
- Remote Batteries included
- AC: Built-In AC Cord

## Powering the Unit

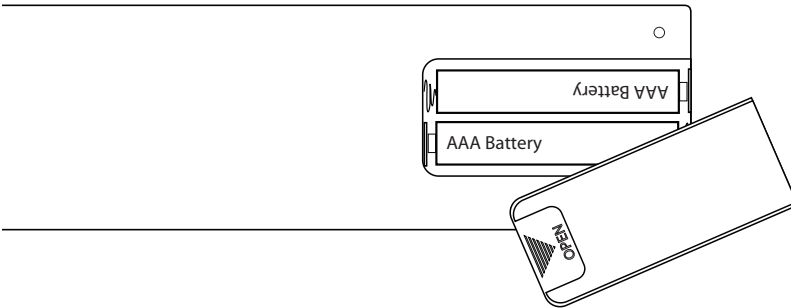
---



## Changing the Remote Battery

---

**WARNING:** Danger of explosion if the remote control's batteries are incorrectly installed. Replace only with the same or equivalent battery.



1. To access the battery, slide the battery cover off in the direction of the arrow above the word "Open".
2. Replace the old battery with an equivalent new battery (AAA Batteries).

## Setting the Clock

---

1. With the unit powered off, press the **Time Set Button** on the remote.

*The hour will begin to blink, indicating that it can be adjusted.*

---

2. Press the **FWD** and **REV Buttons** to adjust the hour.
- 

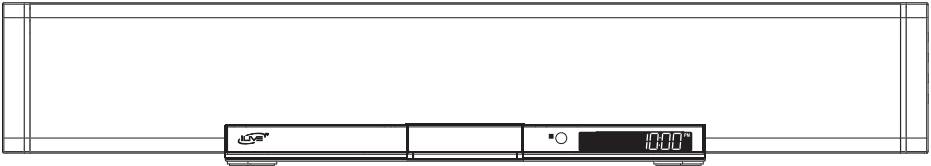
3. Press the **Time Set Button**.

*The minute will begin to blink, indicating that it can be adjusted.*

---

4. Press the **FWD** and **REV Buttons** to adjust the minute.
- 

5. Press the **Time Set Button** to save the set time.
- 



## Docking an iPod

1. Locate the numbered *Bracket* that fits the iPod that will be docked.

*Each included Bracket has a number on it, indicating which iPod model that bracket is compatible with. See the separate bracket chart page to identify which bracket is needed.*

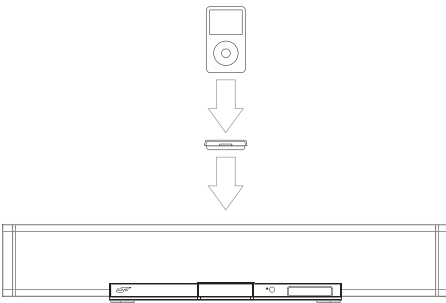
2. Snap the *Bracket* into place over the iPod connector in the **Docking Station**.

*All Brackets will only fit one way onto the Dock.*

*When inserting an iPod nano (first or second generation), slide the Dock connection on the unit so that it matches the opening on the iPod nano (first or second generation).*

3. Connect the iPod to the iPod connector inside the **Docking Station**.

Once an iPod is connected to the **Docking Station**, the unit will play and charge the docked iPod.



## Playing an iPod

1. Connect an iPod to the **Docking Station**. (See "Docking an iPod")
2. Press the **Power Button** to turn the unit on.
3. Press the **Function Button** to switch the unit to iPod Mode.
4. Press the **Play/Pause Button** to begin playing the docked iPod.
5. Turn the **Volume Buttons** to increase or decrease the volume of the unit.
6. Press the **REV** and **FWD Buttons** to skip tracks. Press and hold the **REV** and **FWD Buttons** to search through individual tracks.
7. Press the **Chapter, Album, or Playlists Buttons** on the remote to navigate through the chapters, albums, or playlists on a docked iPod.
8. Press the **Directional Buttons** and **Select Button** on the remote to navigate the iPod's menu and make selections.
9. Press the **Repeat/ST Button** to turn the repeat option on the docked iPod, off or on. Press the **Repeat/ST Button** once to repeat the current audio track and twice to repeat an entire album or playlist.
10. Press the **Menu Button** on the remote to access the docked iPod's menu

*Please note, if the docked iPod is not updated with the latest firmware from Apple, it may not function properly with the unit.*

## Tuning the AM/FM Radio

---

1. Turn the unit on by pressing the **Power Button**.
2. Press the **Function Button** to switch the unit to radio mode.

*An AM or FM will appear on the LCD Display to indicate radio mode.*

3. Press the **Tuning Buttons** to tune the AM or FM radio.
4. Press the **Volume Buttons** to adjust the volume of the audio output from the unit.



## Saving AM/FM Radio Stations to the Units Memory

---

1. Tune the AM/FM Radio to the desired radio frequency.
2. Press and hold the **Play Button**.  
*The LCD display will show "MEM 01". ("MEM" will flash)*
3. Press the **Play Button** repeatedly to select from MEM 01 to MEM 10.
4. Press and hold the **Play Button** to save the current radio frequency to the selected memory station.
5. Press the **Play Button** repeatedly to select stored radio stations.

## Saving AM/FM Radio Stations using the Remote

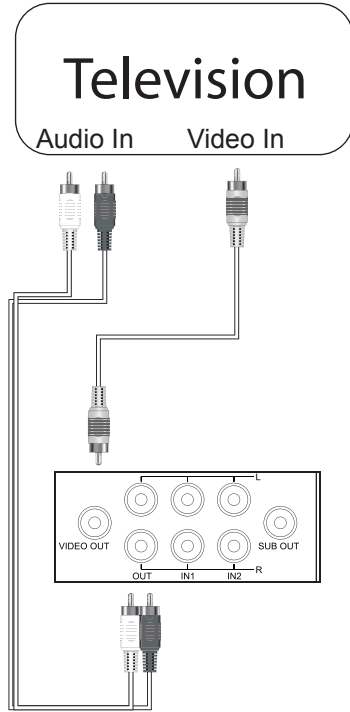
---

1. Tune the AM/FM Radio to the desired radio frequency.
2. Press and hold the **Menu Button**.  
*The LCD display will show "MEM 01". ("MEM" will flash)*
3. Press the **Menu Button** repeatedly to select from MEM 01 to MEM 10.
4. Press and hold the **Menu Button** to save the current radio frequency to the selected memory station.
5. Press the **Menu Button** repeatedly to select stored radio stations.

## Composite Video Output & Stereo RCA Output

*When connecting two products using an RCA Cable, match the colored ports with the same colored connection. (Red to Red, White to White, and Yellow to Yellow)*

1. Connect the RCA Cable to the Stereo RCA Outputs and RCA Composite Video Output on the unit, and to the audio/video inputs on the Television.
2. Turn the unit on by pressing the **Power Button**.
3. Change the television to the correct audio/video input setting.
4. Audio and video played through the unit will now be seen and heard on the connected television.



## Line Input

1. Plug one end of a 3.5 mm mini-phono cable (not included) or a 3.5 mm mini-phono to RCA cable (not included) into the **Line Input** on the unit.
2. Plug the other end of the cable into the audio output/headphone output on an Mp3 Player or Other Audio Source.
3. Press the **Power Button** to turn the unit on.
4. Press the **Function Button** to switch the unit to *AV 2 mode*.
5. Audio played from the Mp3 Player or Other Audio Source will now be heard on the unit.

*If connecting to the headphone output of an audio source, the source's volume controls may need to be adjusted for optimal sound.*

## Using the Stereo RCA Inputs

*When connecting two products using an RCA Cable, match the colored ports with the same colored connection. (Red to Red, White to White, and Yellow to Yellow)*

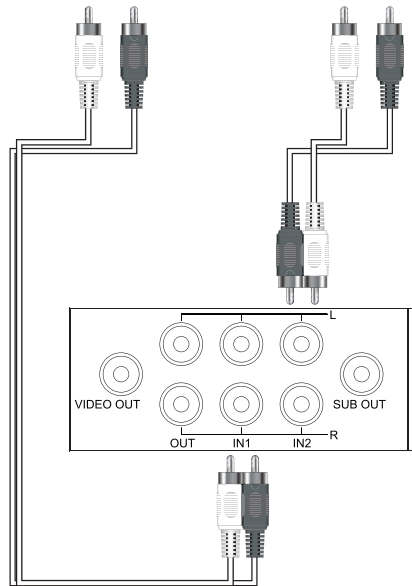
1. Connect a stereo RCA cable (not included) to the **Stereo RCA Inputs** on the unit and the stereo RCA outputs on a television or sound system.
2. Turn the unit on by pressing the **Power Button**.
3. Press the **Function Button** to change the unit to AV1 if the stereo RCA cable is connected to IN1. Change the unit to AV2 if the stereo RCA cable is connected to IN2.
4. Audio played through the connected television or sound system will now be heard through the unit.



Television, DVD Player,  
Set-Top Box, or Game System

Audio Out

Audio Out



# Mounting the Unit to a Wall

1. Decide whether or not to use spacers behind the wall mount brackets.

*The included spacers can be used in combination to adjust unit's distance from the wall in order to match a mounted Flat-Panel TV. The spacers are 1/4", 1/2", 3/4", 1". When using the 1/2", 3/4", or 1" spacers, longer screws must be purchased.*

2. Locate 2 studs in the wall.

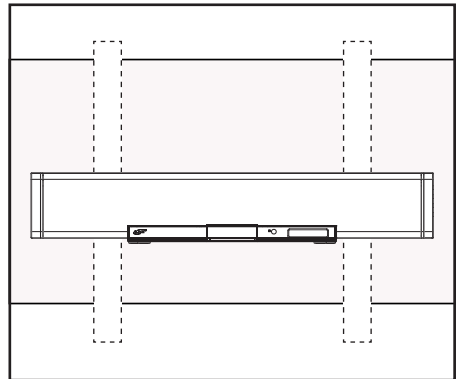
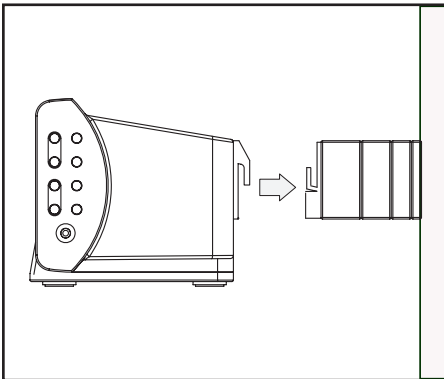
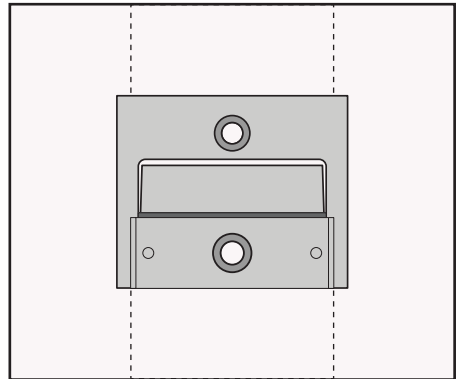
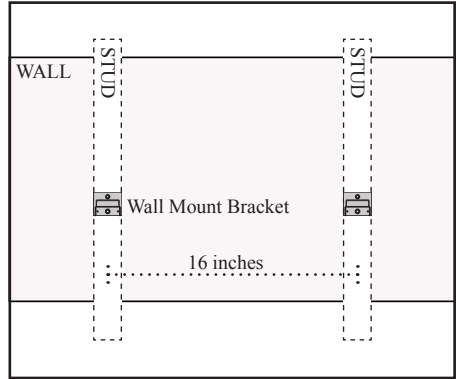
*Most houses have the studs spaced on 16 inch centers.*

3. Screw the wall mount brackets into two parallel studs using two screws in each bracket.

4. Be sure that the wall mount brackets are level with each other.

5. Hang the unit onto the secured wall mount brackets.

*To ensure a reliable and sturdy installation, please consult a professional installer before mounting the unit to a wall.*

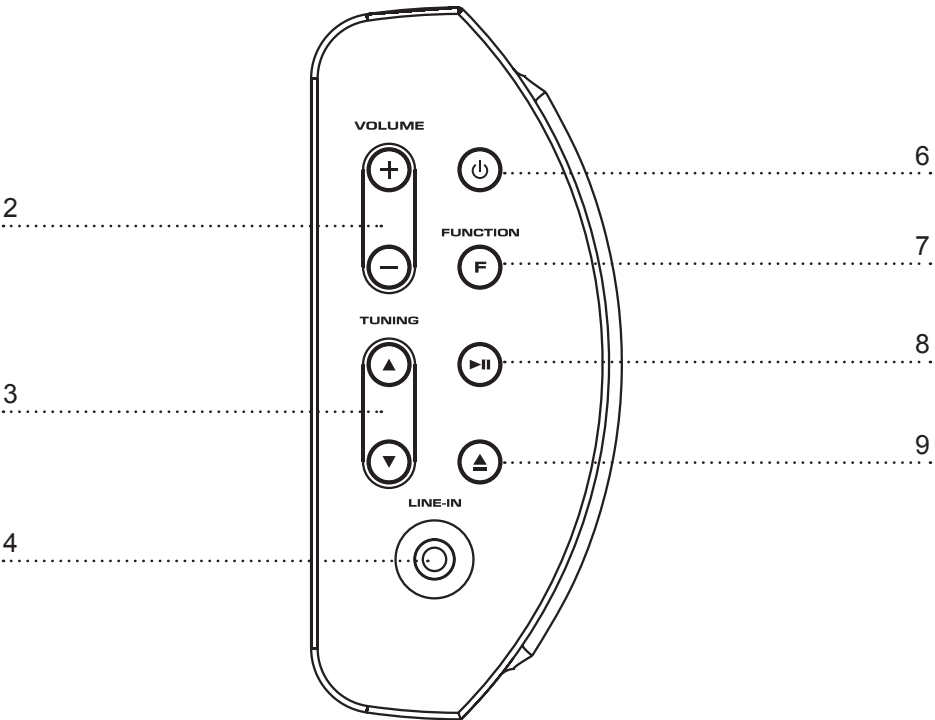


# Location of Controls

---



1 ..... 5



2 ..... 6

3 ..... 7

4 ..... 8

## Control Definitions

---

**1 Motorized Dock for iPod**

The Motorized Dock for iPod automatically opens and closes when the Eject Button is pressed.

---

**2 Volume Buttons**

Press the Volume Buttons to adjust the volume of the audio output from the unit

---

**3 Tuning Buttons**

Press the Tuning Buttons to adjust the AM or FM radio frequency.

---

**4 Line Input (mini-phono 3.5mm)**

Use the Line Input to connect an MP3 or other audio source player to the unit.

*The unit must be in AV 2 mode for the Line Input to work.*

---

**5 LCD Display**

The LCD Display displays all of the system and menu information.

---

**6 Power Button**

Press the Power Button to turn the unit off and on.

---

**7 Function Button**

Press the Function Button to switch between AM/FM radio, iPod, AV1, and AV2 modes.

---

**8 Play/Pause Button**

Press the Play/Pause Button to play or pause an iPod. In radio mode, press the Play/Pause Button repeatedly to cycle through the saved radio stations.

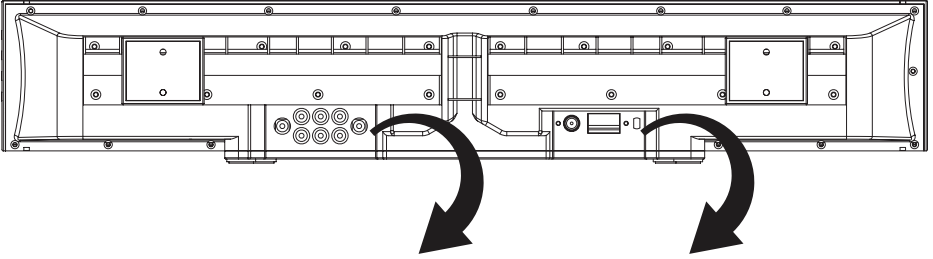
---

**9 Eject Button**

Press the Eject Button to open or close the Motorized Dock for iPod.

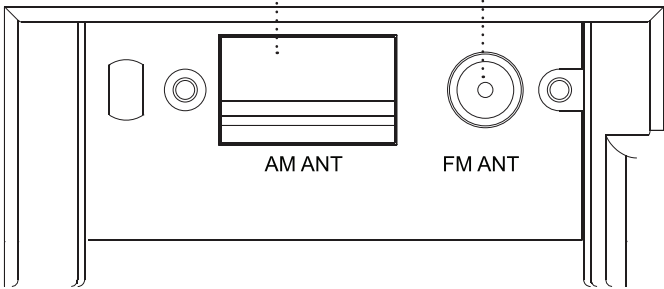
---

# Location of Controls



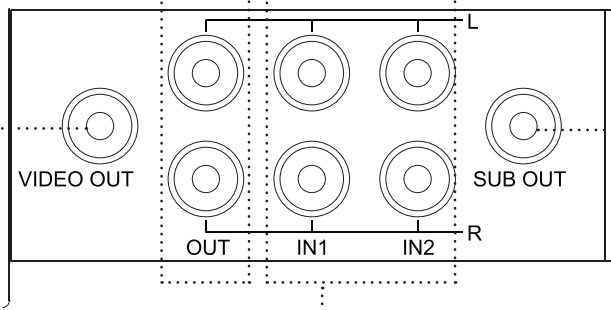
10

12



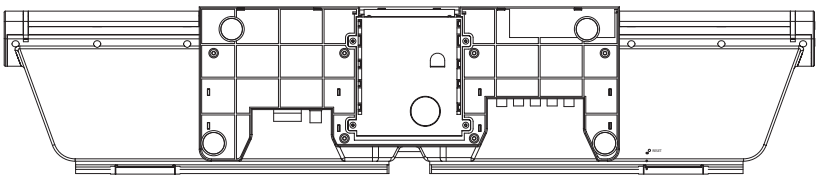
13

11



14

15



16

## Control Definitions

---

### **10 AM Antenna Connection**

Connect an AM antenna to the AM Antenna Connection to receive AM radio reception on the unit.

---

### **11 Composite Video Output**

Use the Composite Video Output to connect the unit to a television, and view videos or photos from a docked iPod on the connected television.

---

### **12 FM Antenna Connection**

Connect an FM antenna to the FM Antenna Connection to receive FM radio reception on the unit.

---

### **13 Stereo RCA Outputs**

Use the Stereo RCA Outputs to connect an audio system to the unit, and to play audio from the unit through the connected audio system.

---

### **14 Subwoofer Output**

Use the Subwoofer Output to connect an external subwoofer to the unit.

---

### **15 Stereo RCA Inputs**

Use the Stereo RCA Inputs to connect a TV, DVD player, camcorder, or game system to the unit, and to play audio from the connected device through the unit.

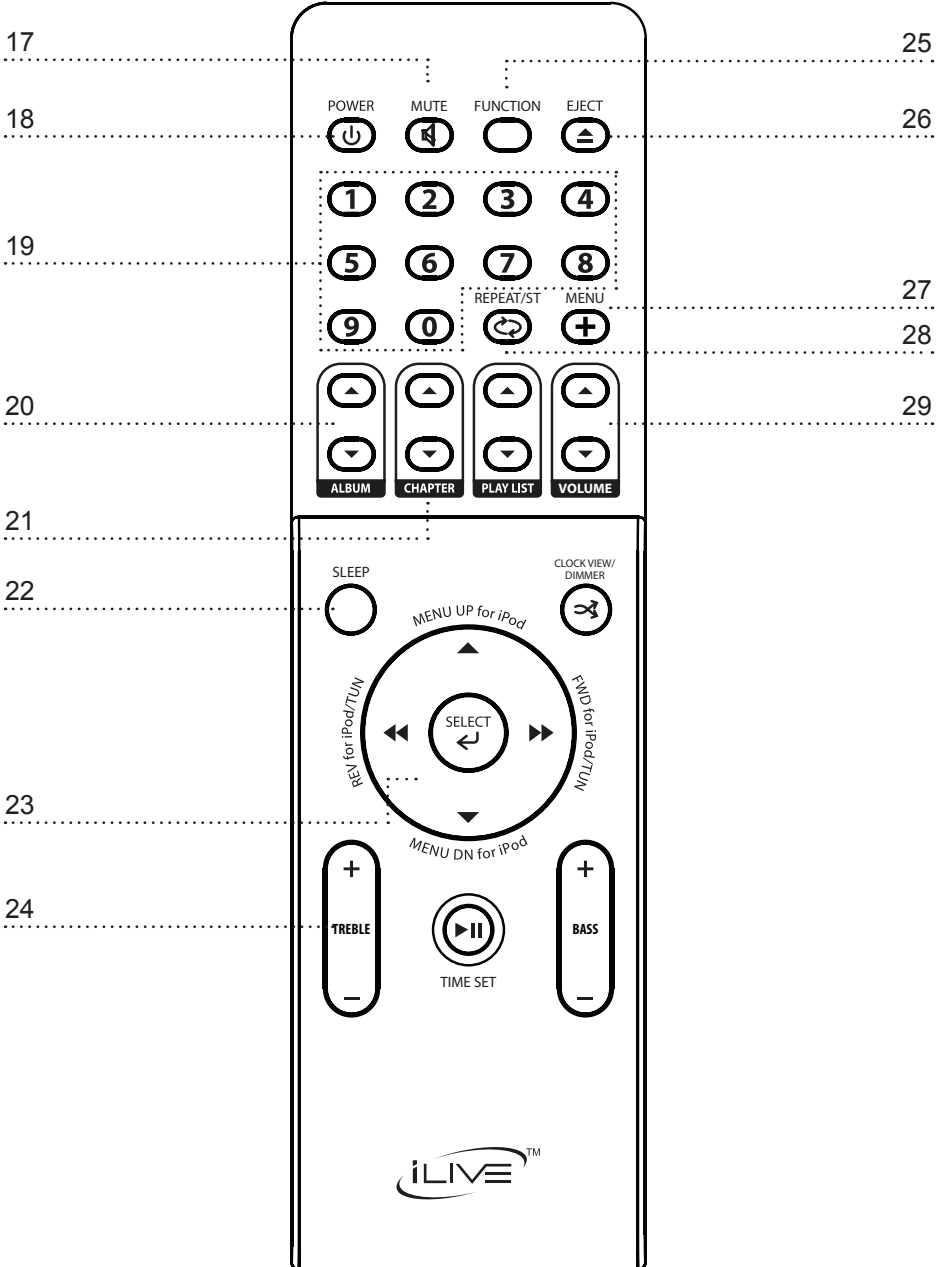
---

### **16 Reset Button**

Press the Reset Button using a paper clip or like object to restore the unit to it's default settings.

---

# Location of Controls



## Control Definitions

---

### **17 Mute Button**

Press the Mute Button to decrease the audio output volume on the unit entirely.

---

### **18 Power Button**

Press the Power Button to turn the unit off and on.

---

### **19 Number Keypad**

Use the Number Keypad to tune the AM or FM radio to a specific station.

---

### **20 Album Buttons**

Press the Album Buttons to cycle through albums on a docked iPod.

---

### **21 Chapter Buttons**

Press the Chapter Buttons to cycle through chapters on a docked iPod.

---

### **22 Sleep Button**

Press the Sleep Button to activate the sleep timer. Using the FWD Button, the sleep timer can be set anywhere from 10 to 240 minutes, in 10 minute increments.

---

### **23 Directional Buttons (REV, FWD, Skip, Search, Tuning, and Navigation)**

Press the Directional Buttons to navigate through a docked iPod's menus.

---

- Press the REV and FWD Buttons to skip backwards and forwards through media on a docked iPod. Press and hold the REV and FWD Buttons to search through an individual media file on a docked iPod.
  - Press the TUN Buttons to tune the AM or FM radio.
- 

### **24 Treble Buttons**

Press the Treble Buttons to adjust the treble of the unit.

---

### **25 Function Button**

Press the Function Button to switch between AM/FM radio, iPod, AV1, and AV2 modes.

---

### **26 Eject Button**

Press the Eject Button to open or close the Motorized Dock for iPod.

---

### **27 Menu Button**

Press the Menu Button to return to a previous menu on a docked iPod. In radio mode, press the Menu Button to cycle through saved radio stations.

---

### **28 Repeat/ST Button**

Press the Repeat Button to repeat a single track or an entire album from a docked iPod.

---

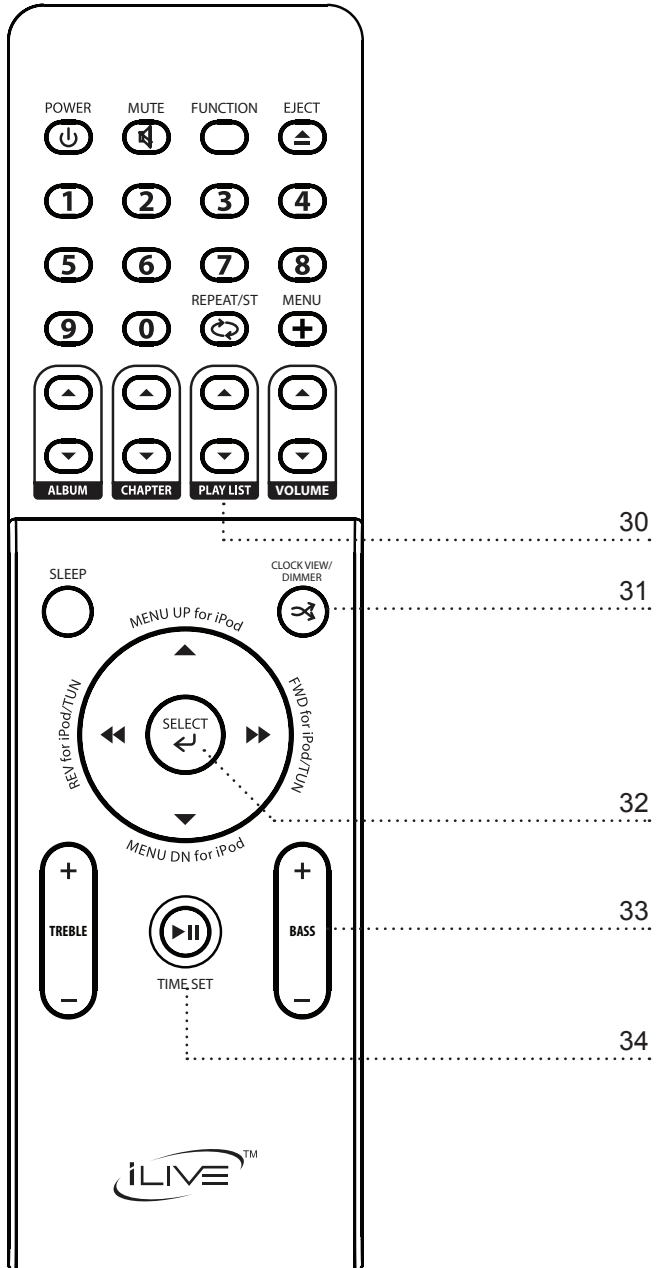
- Press the ST Button to switch the FM radio between stereo and mono.
- 

### **29 Volume Buttons**

Press the Volume Buttons to adjust the volume of audio output of the unit

---

# Location of Controls



## Control Definitions

---

### **30 Playlist Button**

Press the Playlist Buttons to cycle through playlists on a docked iPod.

---

### **31 Clock View/Dimmer/Random Button**

Press the Clock View Button to view the clock when in radio mode.

---

- Press and hold the Dimmer Button to dim the LCD Display.
  - Press the Random Button to play songs randomly in iPod mode.
- 

### **32 Select Button**

Press the Select Button to make selections on a docked iPod.

---

### **33 Bass Buttons**

Press the Bass Buttons to adjust the bass of the unit.

---

### **34 Play/Pause/Time Set Buttons**

Press the Play/Pause Button to play or pause an iPod.

---

- With the unit powered off, press the Time Set Button to set the clock. Use the REV and FWD Buttons to adjust the hour and minute when setting the clock.
-



## Service Information

**Address** 2116 Carr Street, St. Louis MO, 63106

**Phone** 1-314-621-2881

**Fax** 1-314-588-1805

**Email** [customerservice@ilive.net](mailto:customerservice@ilive.net)

**Website** [www.ilive.net](http://www.ilive.net)

---

To download this Instruction Manual in English, Spanish, or French visit the Support section at [www.ilive.net](http://www.ilive.net).

Para descargar este manual de instrucción en inglés, español, o francés visite la sección de la ayuda en [www.ilive.net](http://www.ilive.net).

Pour télécharger ce manuel d'instruction en anglais, espagnol, ou le Français visitez la section de soutien à [www.ilive.net](http://www.ilive.net).