

# WFVC8440UC

## 800 series Aquastop

### Washer



#### Features and Benefits

##### Efficiency

- EcoSmart Technology features an intelligent network of sensors making Bosch the most efficient brand in America
- EcoAction™ Option Reduces Energy Usage by up to 20%
- Bosch Washers Exceed Federal Energy Standards by up to 102%
- Exceeds ENERGY STAR® 2011 Guidelines - Uses only 130 kWh/yr
- ActiveWater turns 13 gal. into 400 gal. of washing power
- Bosch is the most water efficient brand in the U.S.
- Bosch is the 2009 ENERGY STAR Partner of the Year

##### Performance

- ActiveClean engineering for better cleaning performance
- 1200 rpm max spin for drier clothes and efficient drying
- Stain Removal Option targets the widest variety of stains in just one cycle
- XtraSanitary® heats wash water up 170F
- Comforter Cycle to deep clean bulky items like comforters
- Quick Full cycle cleans any size load in just 45 min. every time
- ActiveWear cycle designed to clean sports & exercise clothes
- Allergy Rinse option removes any trace of detergent
- BabyCare cycle cleans with extra water & high temperatures
- Dark Colors cycle cleans and prevents fading for dark fabrics
- Drain/Spin cycle drains and spins moisture out of clothes
- Soak Option soaks clothes before they are washed
- Wool/Handwash cycle for gentle treatment of sensitive fabrics

##### Thoughtful Engineering



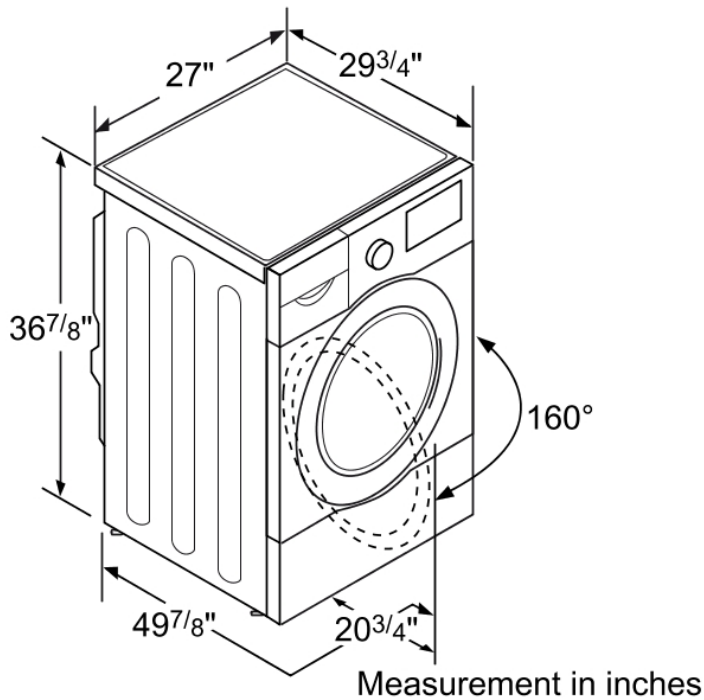
Notes: All height, width and depth dimensions are shown in inches. \*Please refer to installation instructions prior to making cutout. BSH reserves the absolute and unrestricted right to change product materials and specifications, at any time, without notice. Consult the product's installation instructions for final dimensional data and other details. Applicable product warranty can be found in a accompanying product literature or you may contact your account manager for further details.

For more information on our entire line of products, go to [boschappliances.com](http://boschappliances.com) or call 1-800-944-2904.  
Copyright ©2009 BSH Home Appliances Corporation. All rights reserved. Bosch is a registered trademark of Robert Bosch GmbH.

Litho Date: 09/2009



WFVC8440UC  
800 series Aquastop  
Washer



**Features**

UPC code	825225873365
Main color of product	White
Door ring	Stainless steel
Buttons	chrome
Dial	chrome
Alternative colors available	
Silence level - washing (dBA)	52
Watts (W)	1350
Current (A)	15
Volts (V)	120
Frequency (Hz)	60
Energy consumption (kWh/yr)	130
Water Consumption (gal/y)	4541
Energy Star® qualified	Yes
Power cord included	Yes
Power cord length (in)	72"
Plug type	120V-3 prong
Length outlet hose (in)	59.05
Length inlet hose (in)	59.05
AQUASTOP® Hose	Yes
Overall appliance dimensions (HxWxD) (in)	36 8/10" x 27" x 29 7/10"
Product packaging dimensions (HxWxD) (in)	38.97 x 29.52 x 34.25
Net weight (lbs)	227
Gross weight (lbs)	239
Capacity (cu. ft.)	4.4

**Technical Specification**

Leak protection system	Aquastop
Number of Options	6
Maximum spin speed (rpm)	1200
Spin speed options	Variable
Internal Water Heater	Yes
Display	Yes
Status indicator	LCD-display

Notes: All height, width and depth dimensions are shown in inches. \*Please refer to installation instructions prior to making cutout. BSH reserves the absolute and unrestricted right to change product materials and specifications, at any time, without notice. Consult the product's installation instructions for final dimensional data and other details. Applicable product warranty can be found in a accompanying product literature or you may contact your account manager for further details.

For more information on our entire line of products, go to [boschappliances.com](http://boschappliances.com) or call 1-800-944-2904.  
Copyright ©2009 BSH Home Appliances Corporation. All rights reserved. Bosch is a registered trademark of Robert Bosch GmbH.

Litho Date: 09/2009

