

# WTV8330US

## 800 Series

### Vented Dryer with Steam



#### Features and Benefits

##### Efficiency

- EcoSmart™ technology features an intelligent network of sensors making Bosch one of the most efficient dryer brands
- EcoAction™ Option Reduces Energy Usage by up to 10%
- Bosch is the 2009 ENERGY STAR® partner of the year

##### Performance

- DynamicAir™ gently dries clothes using moderate heat and high air volume in a one piece stainless steel drum
- ActiveDry™ engineering for perfect drying results, every time, with all fabrics
- Air Fluff / No Heat drying cycle with no added heat
- Wool cycle for gentle drying of delicate fabrics
- Steam Wrinkle Relax cycle relax wrinkles in only 12 min
- Steam Refresh relax wrinkles and remove odors in 16 min
- Steam Touch Up refreshes a full load in just 20 min
- Delicates option to dry items usually only line dried
- SynchroTechnology® synchronizes dryer cycle and washer spin
- Active Wear cycle designed to dry exercise & sport clothes
- Dark Color cycle dries while preventing fading for dark fabrics

##### Thoughtful Engineering

- 3-way venting for easy installation - back, right, bottom
- Extended WrinkleBlock® up to 3 hrs. tumbling reduces wrinkles
- Extremely Quiet Performance: 64 dB
- One of the quietest dryers in the U.S.
- Backed by Good Housekeeping Seal, two year limited warranty

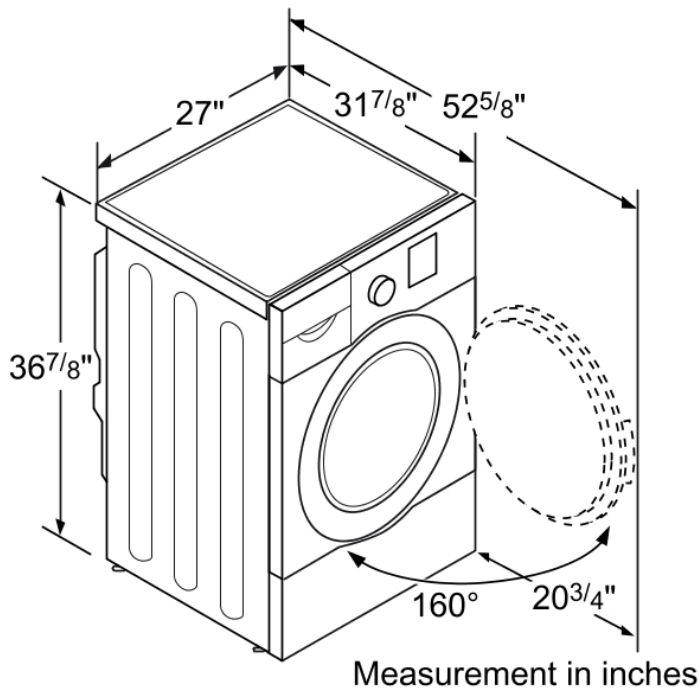
Notes: All height, width and depth dimensions are shown in inches. \*Please refer to installation instructions prior to making cutout. BSH reserves the absolute and unrestricted right to change product materials and specifications, at any time, without notice. Consult the product's installation instructions for final dimensional data and other details. Applicable product warranty can be found in a accompanying product literature or you may contact your account manager for further details.

For more information on our entire line of products, go to [boschappliances.com](http://boschappliances.com) or call 1-800-944-2904.  
Copyright ©2009 BSH Home Appliances Corporation. All rights reserved. Bosch is a registered trademark of Robert Bosch GmbH.

Litho Date: 09/2009



WTV8330US  
800 Series  
Vented Dryer with Steam



**Features**

UPC code	825225874430
Door ring	Stainless steel
Buttons	chrome
Dial	chrome
Door Hinge	Reversible, Right-hand
Alternative colors available	
Silence level (dBA)	64
Energy Source	electric
Watts (W)	5400
Current (A)	30
Volts (V)	208/220-240
Frequency (Hz)	60
Power cord included	No
Power cord length (in)	72"
Plug type	No plug
Length outlet hose (in)	
Length inlet hose (in)	
Overall appliance dimensions (HxWxD) (in)	36 7/8" x 27" x 31 7/8"
Product packaging dimensions (HxWxD) (in)	38.97 x 29.52 x 34.25
Net weight (lbs)	126
Gross weight (lbs)	138
Tub Material	Stainless steel
Capacity (cu. ft.)	6.7
Stackability	Yes
Dryer Type	Vented

**Technical Specification**

Number of Options	5
Timed Dry	Yes
Location of Vent	At rear
Display	Yes
Status indicator	LED

Notes: All height, width and depth dimensions are shown in inches. \*Please refer to installation instructions prior to making cutout. BSH reserves the absolute and unrestricted right to change product materials and specifications, at any time, without notice. Consult the product's installation instructions for final dimensional data and other details. Applicable product warranty can be found in a accompanying product literature or you may contact your account manager for further details.

For more information on our entire line of products, go to [boschappliances.com](http://boschappliances.com) or call 1-800-944-2904.  
Copyright ©2009 BSH Home Appliances Corporation. All rights reserved. Bosch is a registered trademark of Robert Bosch GmbH.

Litho Date: 09/2009

