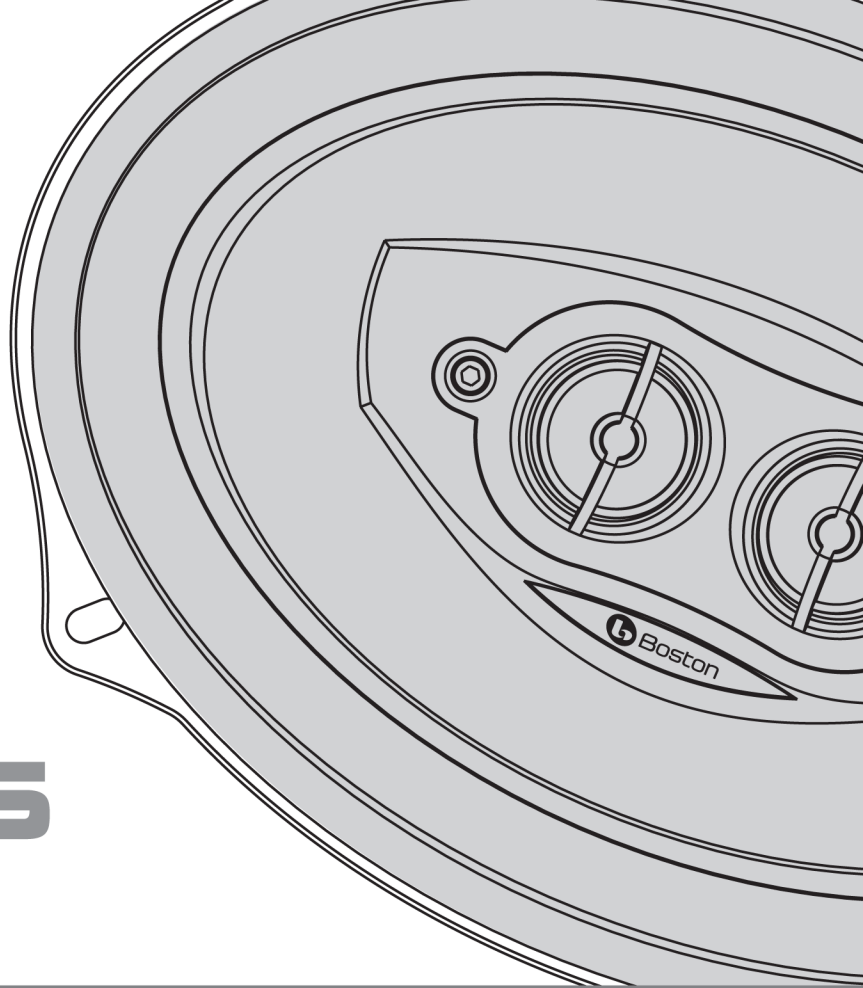


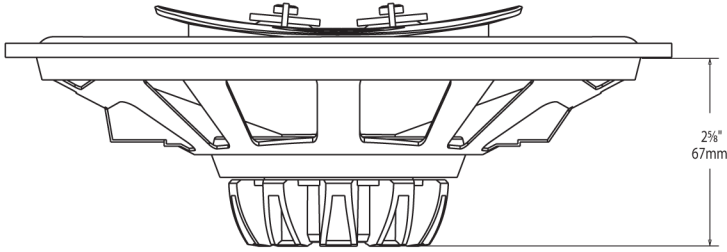
performance coaxial speakers

SR95

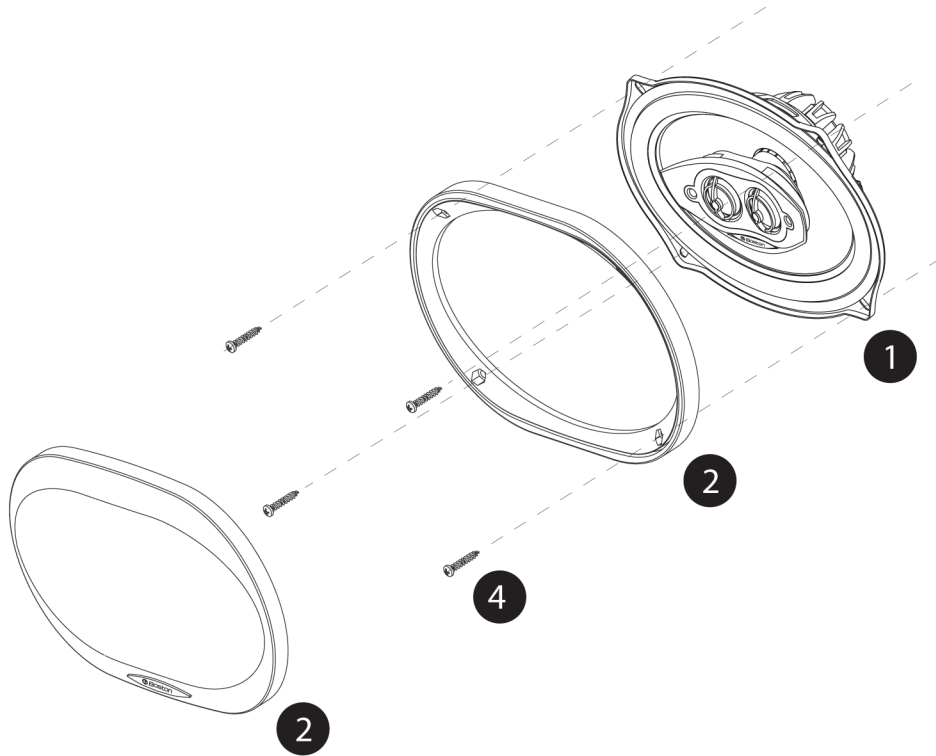


Specifications	SR95
Nominal Size	6 x 9"
RMS Power Handling	75 watts
Peak Power Handling	200 watts
Nominal Impedance	4 ohms
Frequency Response	35Hz-20kHz (±3dB)
Sensitivity	92dB (1watt @ 1meter)

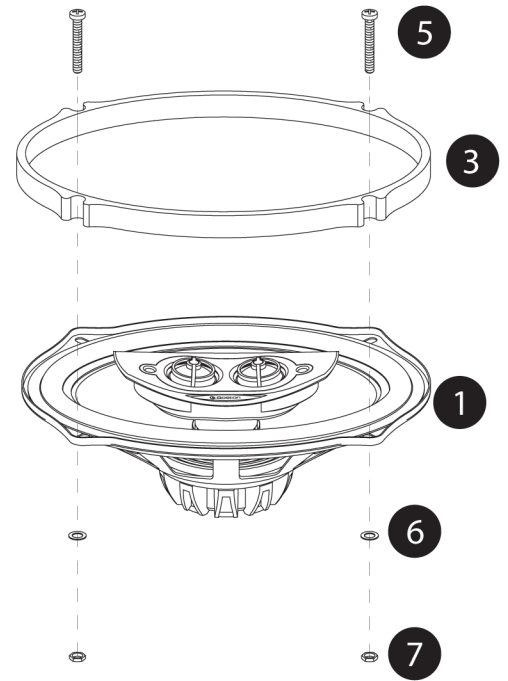
#	Description	Quantity
1	SR95 Speaker	2
2	Speaker Grille	2
3	Spacer	2
4	#8 x 1" Self-Tapping Screw	8
5	#8 x 2½" Pan Head Screw	8
6	Washer	8
7	Hex Nut	8
not shown	Lock Washer	8
not shown	Woofer Hardware Package	1
not shown	16AWG Crimp Connector	4
not shown	Pre Terminated Wire (short)	4



SR95 Installation - Boston Grille



SR95 Installation - Factory Grille



Boston Acoustics, Inc. 300 Jubilee Drive, Peabody, MA 01960 USA

T: 978.538.5000 F: 978.538.5100 W: bostonacoustics.com

Boston, Boston Acoustics, and the Boston Acoustics logo are registered trademarks of Boston Acoustics, Inc.

Specifications are subject to change without notice.

© 2009 Boston Acoustics, Inc. All rights reserved. Covered by patents issued and/or pending.