

WSLS1500J

GE Spacemaker® Stationary Washer

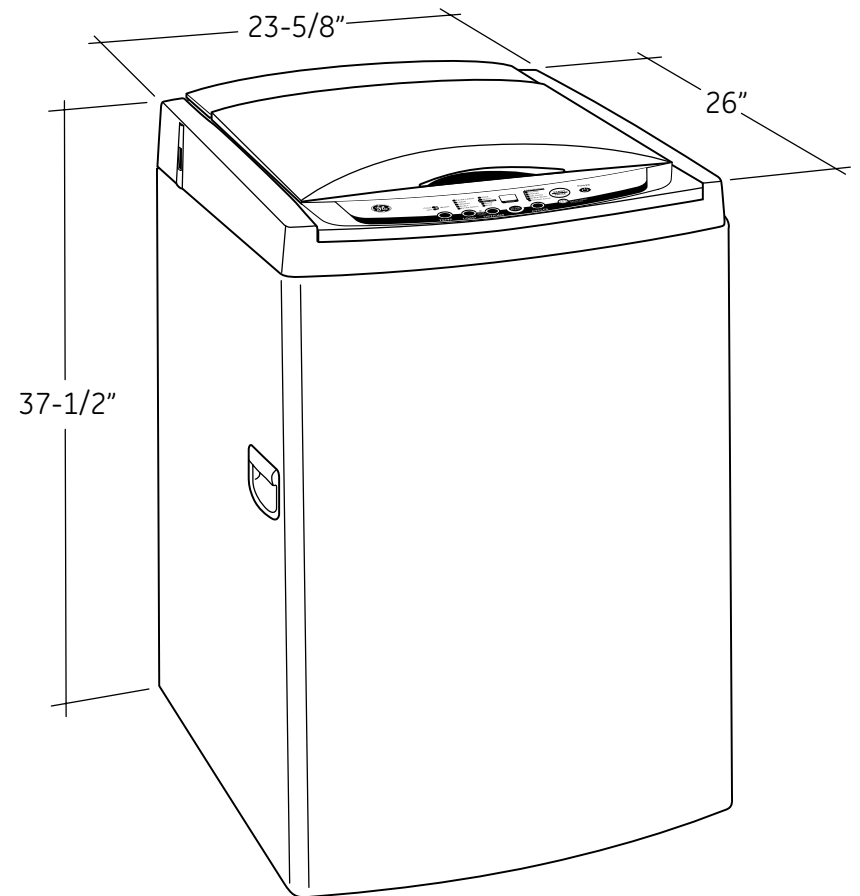
Dimensions and Installation Information (in inches)

Circuit Requirements: An individual, properly-grounded branch circuit, with a three-prong grounding-type receptacle, protected by a 15 or 20 amp circuit breaker or a time-delay fuse, is required.

Electrical Rating: 120V; 60Hz

Washer Note: Washer wall outlet must be located within 36" of service cord entry. Wall outlet must not be located behind dryer.

Installation Information: For complete information, see installation instructions packed with your washer.



For answers to your Monogram®, GE Profile™ or GE® appliance questions, visit our website at ge.com or call GE Answer Center® service, 800.626.2000.



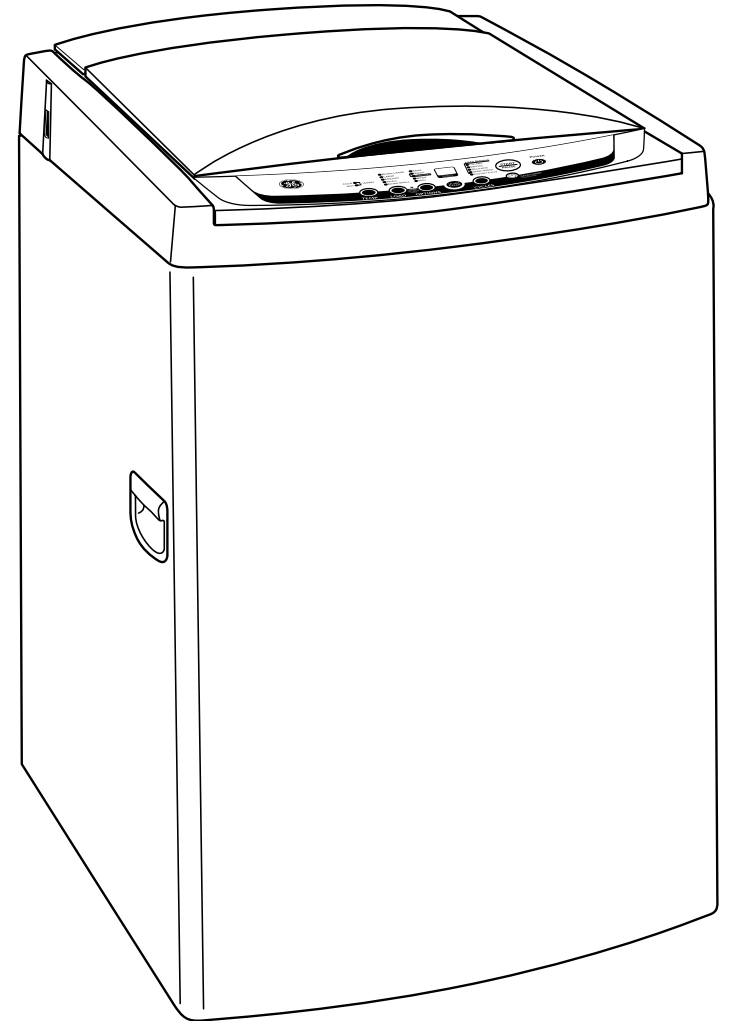
Listed by
Underwriters
Laboratories

WSLS1500J

GE Spacemaker® Stationary Washer

Features and Benefits

- Electronic One-Touch Controls with LED Read-Out – Simplify cycle selection and provide accurate cycle times
- One-Touch Loading Sensing – Eliminates guesswork and helps reduce water waste
- 14 Wash Cycles – A variety of fabric-specific settings, from extra-heavy cottons to easy-care colors
- Three Wash/Rinse Temperatures – Offer better wash results and longer fabric life
- One Wash/Spin Speed – Provides reliable cleaning performance for regular clothes
- Five Water Levels – Offers water and energy savings
- Stainless Steel Basket – It resists rust and won't chip, peel or snag clothes
- Model WSLS1500JWW – White on white



imagination at work