



Standard Features & Accessories

All models include

- Commercial-type styling
- MagneQuick™ induction power generators utilize magnetic energy for superior power, responsiveness, and efficiency
- Strong, wear-resistant glass ceramic top offers excellent cleanability
- Metal knobs with childproof, push-to-turn safety features

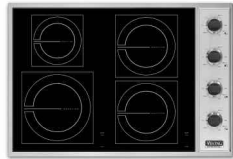
4B model includes

- Four elements
 - Left front—8" 3,700 watt boost/2,300 watts
 - Left rear—6" 1,400 watts
 - Right front—7" 1,850 watts
 - Right rear—7" 1,850 watts

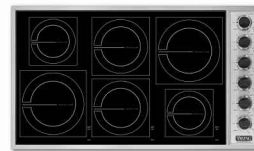
6B model includes

- Six elements
 - Left front—8" 3,700 watt boost/2,300 watts
 - Left rear—6" 1,400 watts
 - Center front—7" 1,850 watts
 - Center rear—7" 1,850 watts
 - Right front—6" 1,400 watts
 - Right rear—8" 3,300 watt boost/2,300 watts

Model Options



VICU206-4B
30"W. Four-Element
Cooktop



VICU266-6B
36"W. Six-Element
Cooktop

FINISH DETAILS FOR BOTH MODELS

- Stainless Steel/Black (SB)
 - Stainless steel trim/frame and control panel
 - Black glass and knobs
- Stainless Steel/White (SW)
 - Stainless steel trim/frame and control panel
 - White glass and knobs
- Brass Trim Option (BR)—nameplate, control panel frame, and knob bezels. Brass components have a durable protective coating for maintenance-free normal use.

ORDERING INSTRUCTIONS

First specify model number, and then color code (VICU206-4BSB). If ordering optional brass trim, specify code at end (VICU206-4BSBBR).





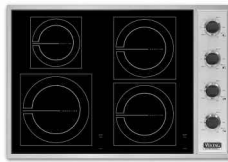
COOKING

**Professional Built-In Electric Induction
30"/36"W. Cooktop**

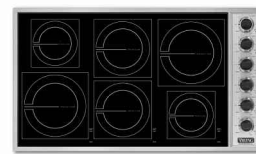


Dimensions & Specifications

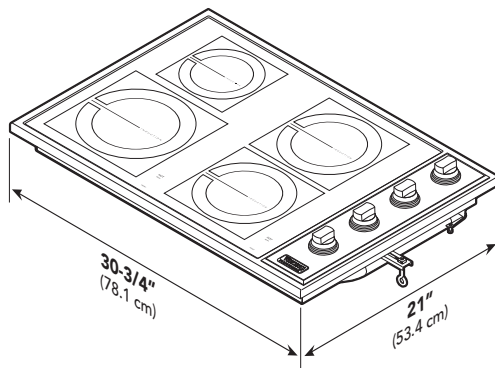
PRODUCT DIMENSIONS—OVERALL



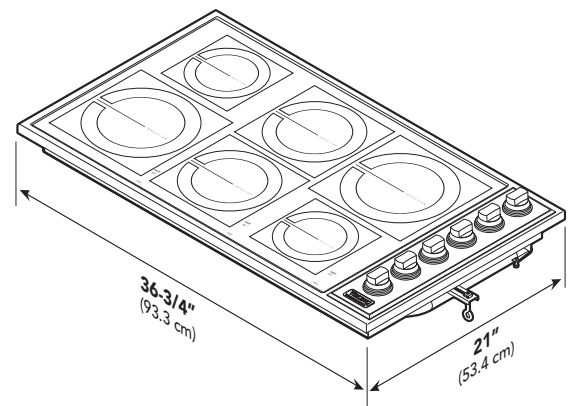
VICU206-4B
30"W. Four-Element
Cooktop



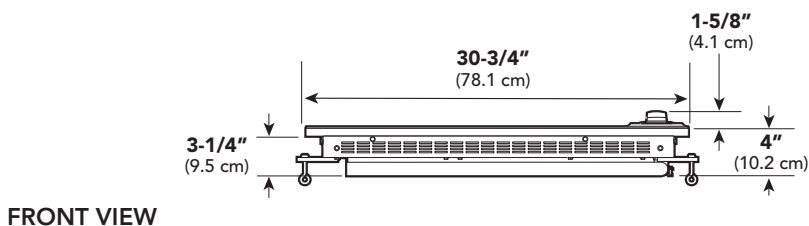
VICU266-6B
36"W. Six-Element
Cooktop



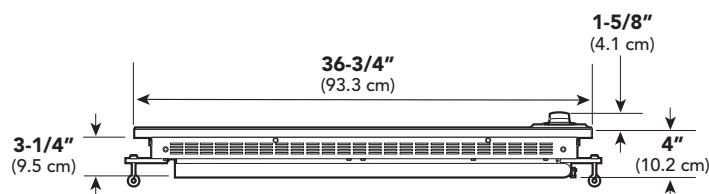
30"W. Models



36"W. Models



FRONT VIEW



FRONT VIEW

Note: Dimension may vary by $\pm 1/8"$ (0.3 cm).

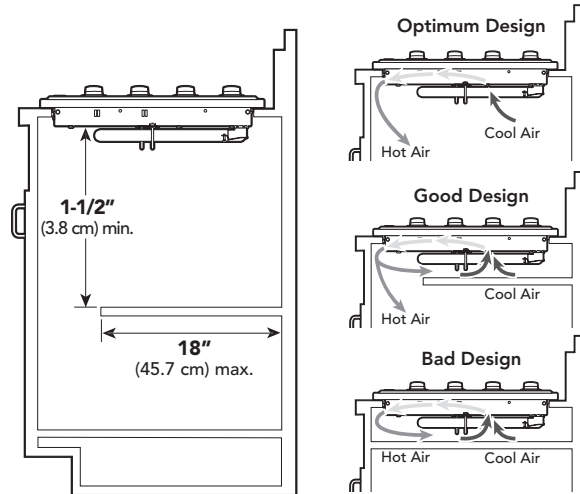
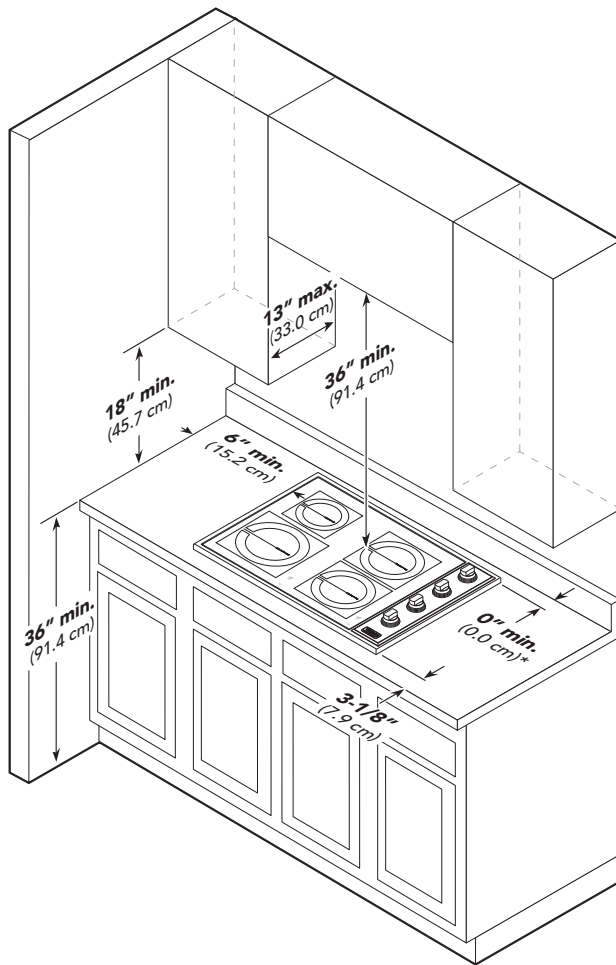
	VICU206-4B	VICU266-6B
Overall width	30-3/4" (78.1 cm)	36-3/4" (93.3 cm)
Overall height (from bottom)		
To top of knobs		5-5/8" (14.3 cm)
To top of cooking surface		4" (10.2 cm)
To bottom edge of frame		3-1/4" (8.3 cm)
Overall depth (from rear)		21" (53.3 cm)





Dimensions & Specifications

CLEARANCE DIMENSIONS



Interior Cabinet Clearances

IMPORTANT: The electronic components for the induction elements in the cooktop need air circulation. To ensure long life of electronic components, it is required that 1-1/2 (3.8 cm) or more open space remains between the bottom of the cooktop and any shelf underneath. The maximum length of the shelf underneath is 18" (45.7 cm). It is required that the exit air ports at the front are not blocked.

Minimum clearances from adjacent combustible construction

- Below countertop 3-1/4" (8.3 cm) minimum
 - Above countertop 36" (91.4 cm) minimum
 - Side 6" (15.2 cm)
 - Rear* 0" minimum
 - Within 6" side clearance. Wall cabinets no deeper than 13" (33.0 cm)
 - Center of cutout from rear wall/back splash minimum 10-1/2" (26.7 cm)
 - Countertop depth 25" (63.5 cm)
 - Cabinet depth from rear maximum 13" (33.0 cm)
 - Cabinet height from countertop minimum 18" (45.7 cm)
1. The cooktop **CANNOT** be installed directly adjacent to sidewalls, tall cabinets or appliances, or other side vertical surfaces above 36" (91.4 cm) high. A minimum side clearance of 6" (15.2 cm) is required between the cooktop and such **combustible** surfaces above the counter.
 2. A minimum height clearance of 18" (45.7 cm) is required between the countertop and wall cabinets no deeper than 13" (33.0 cm) above the countertop.
 3. These dimensions are based on a standard 24" (60.1 cm) deep base cabinet with a 25" (63.5 cm) deep countertop and 3/4" backsplash.
 4. If a ventilation hood is installed over the cooktop, the minimum 36" (91.4 cm) height clearance above the unit does not apply. Refer to the hood installation instructions for further information.

Warning

The use of cabinets for storage above the appliance may result in a potential burn hazard. If a cabinet storage is to be provided the risk can be reduced by installing a hood that projects horizontally a minimum of 5" (12.7 cm) beyond the bottom of the cabinets.

Important: To ensure proper performance and extend the life of the electric components in the cooktop, it is required that a minimum height clearance of 1-1/2" (3.8 cm) be located between the bottom of the induction cooktop and any shelf or combustible surface directly below the cooktop. This includes the top edges of drawers located directly beneath the cooktop. If a shelf or drawer is located directly below the cooktop, a 1" (0.4 cm) gap at the front of the shelf or drawer is necessary to allow for proper ventilation.



UTILITY REQUIREMENTS



GAS

- Not applicable



ELECTRICAL

- 4-foot (121.9 cm) flexible conduit included*
- 3-wire conduit with a No. 10 ground wire
- 240 – 208V;50/60 Hz
- Maximum amp usage—(240V/208V)
 - o 4B—30.8
 - o 6B—46.3

* Do not use an extension cord with this appliance.

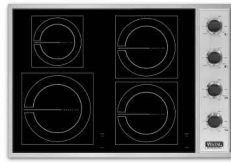


PLUMBING

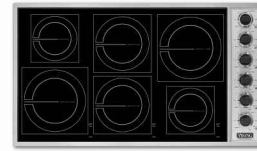
Not applicable

Installation Requirements

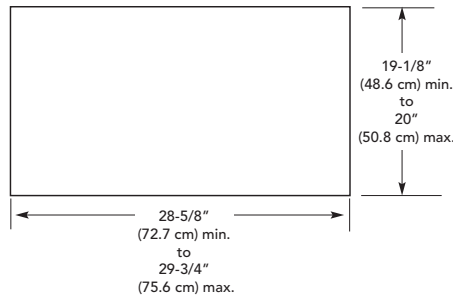
ACCESS REQUIREMENTS



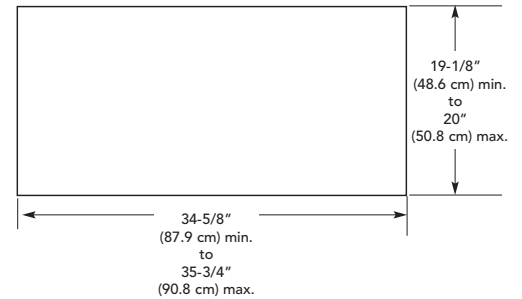
VICU206-4B
30"W. Four-Element Cooktop



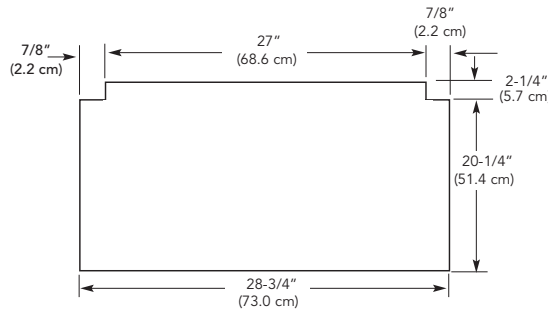
VICU266-6B
36"W. Six-Element Cooktop



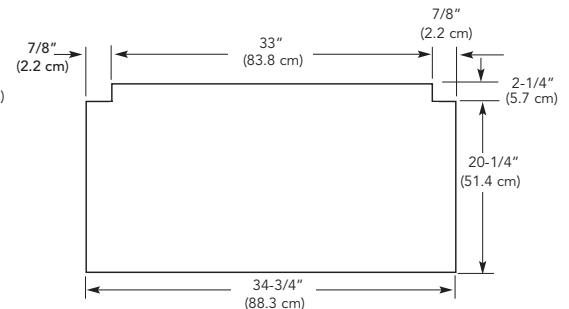
30"W. Cutout



36"W. Cutout



30"W. Cutout w/Downdraft



36"W. Cutout w/Downdraft

Note: 1" (2.6 cm) cutout clearance will make cooktop flush against counter. 2-1/2" (6.4 cm) cutout will make the cooktop 1/2" (1.3 cm) away from the backsplash.

Note: These dimensions are based on a standard 24" (60.1 cm) deep base cabinet with a 25" (63.5 cm) deep countertop and 3/4" backsplash.

Note: A Viking ventilation hood or downdraft can be installed with the induction cooktops. Refer to the ventilation installation instructions for further information.

Note: A Viking electric oven can be installed below the induction cooktop. Refer to the oven installation instructions for further information.

	VICU206-4B	VICU266-6B
Cutout width	28-5/8" (72.7 cm) min. to 29-3/4" (75.6 cm) max.	34-5/8" (87.9 cm) min. to 35-3/4" (90.8 cm) max.
Cutout depth	19-1/8" (48.6 cm) min. to 20" (50.8 cm) max.	
Surface burner rating		
Right front	1,850 watts	1,400 watts
Right rear	1,850 watts	3,300 watts boost/2,300 watts
Left front	3,700 watt boost/2,300 watts	
Left rear	1,400 watts	
Center front	N/A	1,850 watts
Center rear	N/A	1,850 watts





COOKING
Professional Built-In Electric Induction
30"/36"W. Cooktop



Compliance Information



WARRANTY INFORMATION*

- One-year full warranty—complete product
- Five-year limited warranty—surface burners and electric elements
- Ninety-day limited warranty—cosmetic parts such as glass, painted, and decorative items

* For complete warranty see *Use & Care Guide*. Warranty valid on Viking products shipped within the United States and Canada.



